

Optional removable Console with removable wedge panel for **EDU-PD** Teaching Multimedia Station. It can be easily mounted for different device installation and configurations.

Standard Features

- Removable Console kit with grommets and hardware.

Options

- **EDU-PD** Teaching Multimedia Station.

Specifications

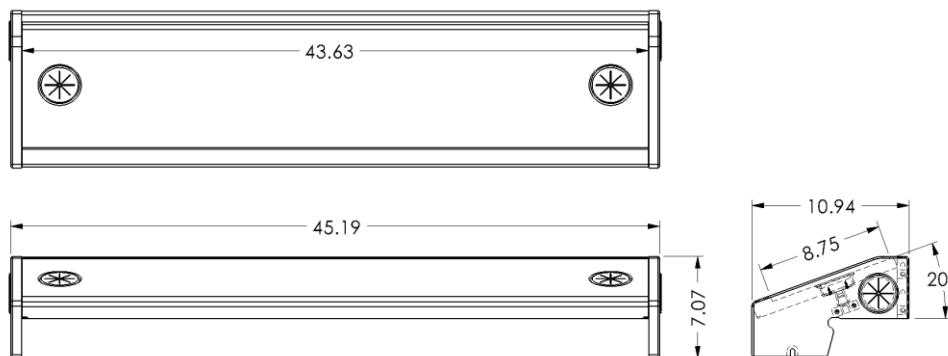
Model: CNLEDU-PD

Width: 45.19"

Depth: 10.94"

Height: 7.07" (20° angle removable wedge panel)

Finish: Black thermowrap surf(x) only.



The information contained in this drawing is the sole property of Audio Visual Furniture International. Any reproduction in part or as a whole without the written permission of Audio Visual Furniture International is prohibited. We can build or modify stock configurations to suit customer specifications. Please contact us to discuss how this service can help meet your needs. Some quantity restrictions may apply. Specification subject to change without notice. Computers, cameras, monitors, etc. are shown to illustrate product usage and are not included unless otherwise noted.