

LRC-1100 Column speaker, 1m, EN54

- Twelve 2.5-inch full-range drivers coupled to proprietary PaSS phase plugs produce a narrow vertical pattern and exceptional LF extension.
- User can select a narrow or wide vertical pattern (20°/40°), with a 5° downward bias to focus energy towards the listener.
- Weatherized for full exposure, including IP55c rating, and EN54-24 Type B certified for all-weather applications.
- SwifTilt Pan-Tilt mounting bracket (patent pending) supports most mounting situations and installs column as close to the mounting surface as possible.
- Includes rear insert points for suspension.



LRC Line Radiator Column is a line of passive column loudspeakers engineered specifically for installation. LRC loudspeakers are simple, practical, and easy to install, offering a sleek, neutral industrial design that blends into a wide range of settings. LRC loudspeakers can play a role in any install as main speakers, support speakers, and foreground and background speakers.

LRC-1100 loudspeakers include a pre-installed transformer for connection to 70- or 100-volt lines. These models include EV's patented Automatic Saturation Compensation (ASC) technology, which preserves low frequency response and protects system electronics from improper electrical loads when the transformer is engaged - regardless of the number of speakers connected to the line.

An integral part of LRC offering is the mounting bracket that ships with each loudspeaker. It has been carefully designed to cover most mounting situations, whether the column needs to be positioned with no tilt and as close to the wall as possible, tilted downward, inverted for up-tilt, panned to either side, or aimed with a combination of pan and tilt. LRC Line Radiator Columns are engineered for use on any system using the recommended high-pass filter, but deliver their best performance when paired with Dynacord DSP matrix processors and amplifiers. These provide dedicated presets which ensure the optimal

balance of sound quality, output, and system protection. All models are available in black and white and are suitable for indoor or outdoor use. LRC-1100 loudspeakers are EN54-24 certified, and all models are supported by EASE/EASE Focus3, PREVIEW Loudspeaker Software and by SONICUE System Software.

Technical specifications

Frequency range (-10 dB) ¹	65 Hz – 14,000 Hz
Maximum sound pressure level at a distance of 1 m ²	126 dB narrow 123 dB wide
Axial sensitivity ³	93 dB SPL 1W/1m narrow 91 dB SPL 1W/1m wide
Acoustic down-tilt (relative to horizontal)	-5°
Coverage angle HxV ⁴	130° x 20° (narrow) / 40° (wide)
Power handling (continuous) (Lo-Z) ⁵	200 W
Power handling (program) (Lo-Z) ⁶	400 W
Peak input voltage (Lo-Z)	115 V
Nominal impedance (Lo-Z)	8 Ω
Recommended high pass	≥70 Hz Butterworth 24 dB/oct

Transformer taps 70 V line	120 W; 60 W; 30 W; 15 W; 8 W
Transformer taps 100 V line	120 W; 60 W; 30 W; 15 W
Transducer (quantity) size	(12) 2.5 in active drivers (3) 2.5 in and 6.5 in passive radiators
Connector type	4-pin Euroblock Input + Pass through
Wire size	12AWG (maximum)
Suspension points	(2) M8
Mounting	SwiftTilt Multi-angle Tilt + Pan Bracket
Maximum horizontal pan angle	±80° at all down-tilt angles
Vertical down-tilt angles ⁷	0°, 2.5°, 5°, 7.5°, 10°, 15°, 20°, 25°
IP rating	FW (outdoor full exposure), IP55c
Color	RAL 9004 Signal black / RAL 9003 Signal white
Dimensions (H x W x D)	37.40 in x 4.33 in x 5.91 in
Dimensions (H x W x D)	950 mm x 110 mm x 150 mm
Weight	16.8 lb
Weight	7.6 kg
Shipping weight	24.25 lb
Shipping weight	11 kg
Included hardware	Tilt bracket Pan bracket Gland nut weather cover Dual-ended Allen key M8x20 mm eyebolt (pre-installed)

¹-10 dB from rated sensitivity. Measured with Music preset in half-space (wall-mounted) position

²1 m on acoustic axis, half-space, 12 dB crest factor pink noise with Music preset (calculated)

³Unprocessed. 500 Hz - 12 kHz

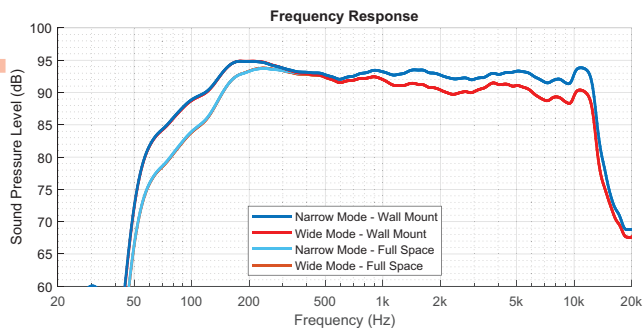
⁴Vertical coverage unprocessed. Narrow: 1 kHz - 13 kHz. Wide: 650 Hz - 12 kHz

⁵100 hrs continuous EN54-24 noise, Lo-Z

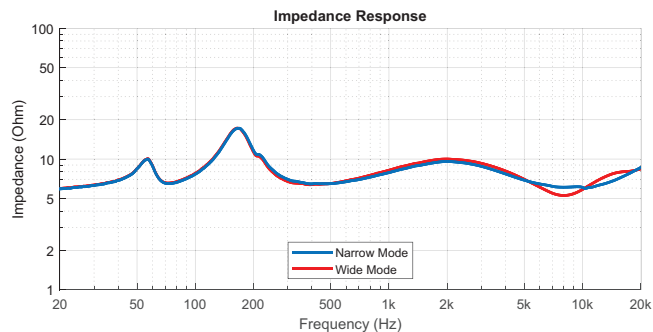
⁶20 ms average, Lo-Z

⁷Using included surface-mount bracket

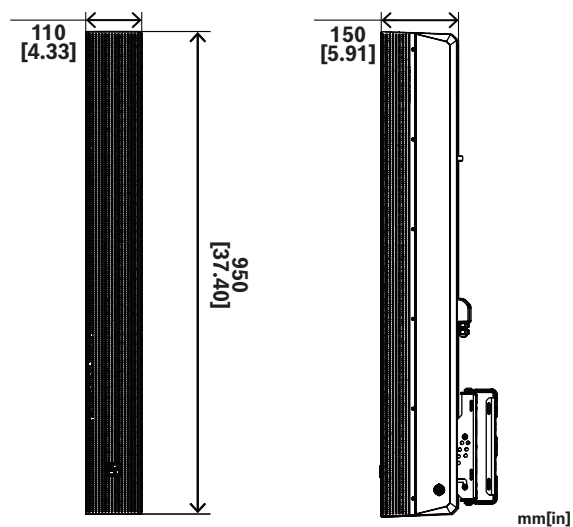
Frequency response



Impedance response



Dimensions



Complementary products

LRC-1060-B Column speaker, 0.6m, blk, EN54

LRC-1060-W Column speaker, 0.6m, wht, EN54

LRC-2100-B Column speaker, 2-way 1m blk

LRC-2100-W Column speaker, 2-way 1m wht

Compatible system solutions, software

Dynacord SONICUE control software

Electro-Voice PREVIEW Loudspeaker software

AFMG EASE and EASE Focus3

Ordering information

LRC-1100-B Column speaker, 1m, blk, EN54

Column speaker, 1m, black, EN54-certified
Order number **LRC-1100-B | F.01U.417.804**

LRC-1100-W Column speaker, 1m, wht, EN54

Column speaker, 1m, white, EN54-certified
Order number **LRC-1100-W | F.01U.417.799**

PRELIMINARY

PRELIMINARY

Represented by:

Germany:
Bosch Sicherheitssysteme GmbH
Robert-Bosch-Ring 5
85630 Grasbrunn
Germany
www.electrovoice.com

Bosch Security Systems, LLC
12000 Portland Avenue South
Burnsville MN 55337
USA