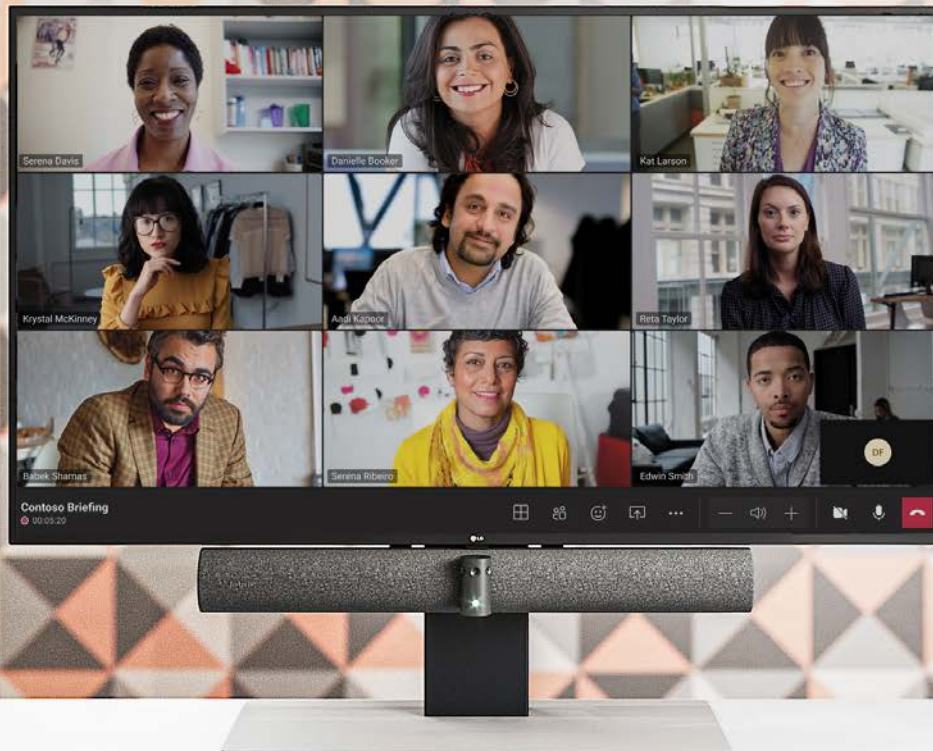


# ACADIA

## Tabletop Display Stand



## Express Video Enablement

A completely new way to more quickly deploy a sophisticated video conferencing solution that can go on any table, in any space and without any construction. The Acadia Tabletop is the ideal choice for rapid video enablement, marking a breakthrough as the first purpose-built tabletop mount for conferencing.



## Complete Video Conference Deployment in 1-2 Hours

The Acadia Tabletop quickly transforms any meeting or collaboration space with its revolutionary design. It can affix to any table, does not need a wall and fits most any display size. Construction free, this unprecedented solution delivers a near-instant conferencing solution made for any room size or type.



## Height Adjustable to Meet Every Team Member and Application

One-of-a-kind tabletop system that's compatible with screens from 43" to 65" and features a universal camera mount for flexible positioning above or below the display, optimizing the field of view for every team member and application.

# ACADIA TABLETOP DISPLAY STAND



AC/TT/BP/G/B

The Acadia Tabletop empowers every company to adapt to a wide variety of applications including huddle rooms, temporary setups, hybrid workspaces, traditional and permanent meeting spaces. Developed in collaboration with our top technology hardware partners, it's compatible with all necessary technology including displays, cameras, cabling, power and more. Items not needed for viewing are tucked for a seamless, elegant installation.

Height adjustable display mount supporting 43"-65", maximum 55lb (25kg).

Height and tilt adjustable camera bracket (shelf or wall mounting pattern) above or below display.



Effortlessly adjust display position with a simple click and secure it in one of the ten adjustable positions using the ratchet system with no need to disassemble.

## Versatile

Versatile mounting options allow for freestanding or bolt-to-table installation that doesn't require walls or construction.

## Accessible

Ultra-easy to maintain/service with peripheral panels and convenient access to cables and peripherals.

## Secure

Secure storage for cables/equipment, featuring large accessory panels secured by hinged doors.

## Quick to Install

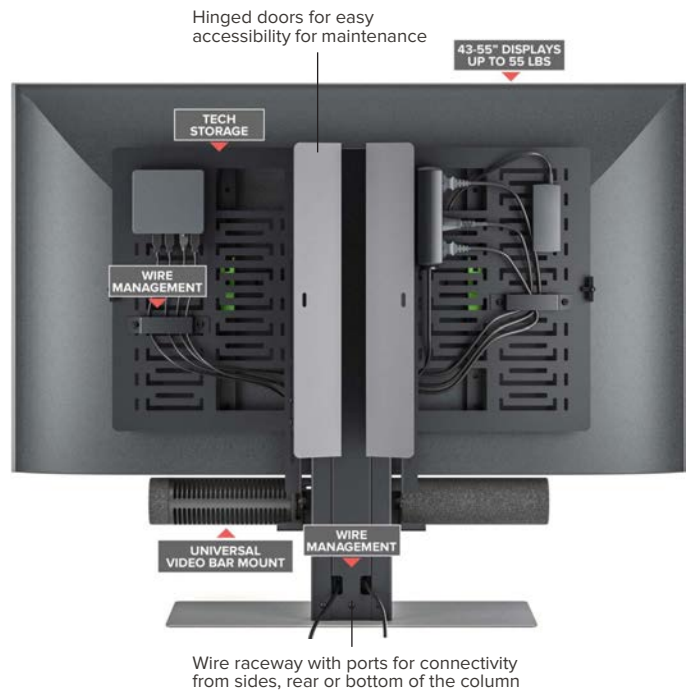
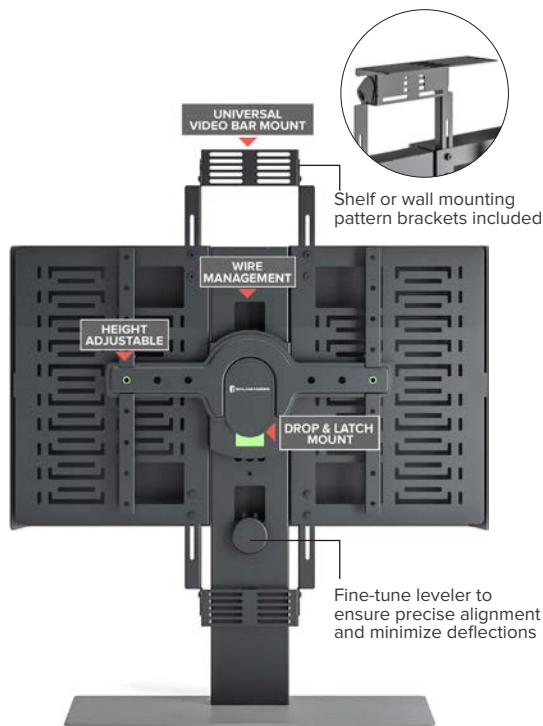
Effortless installation, suitable for a one-person job with pre-assembled parts and reduced time.

# ACADIA TABLETOP DISPLAY STAND



AC/TT/BP/G/B

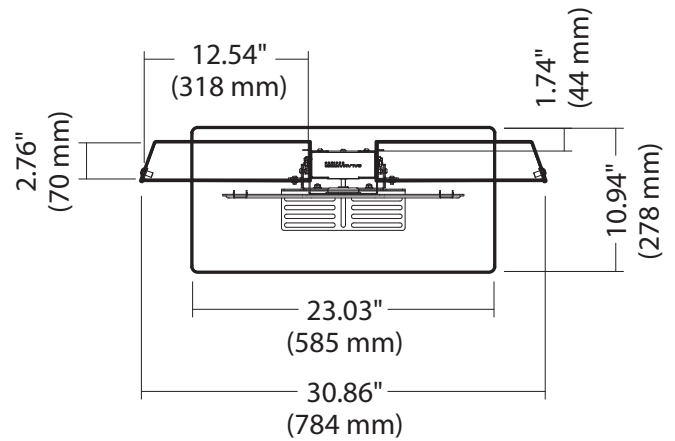
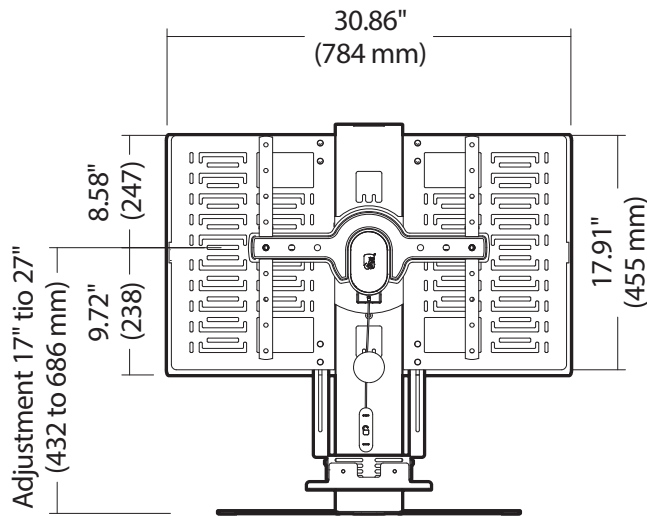
- Spacious and secure technology storage for all peripheral equipment and cables, with two large accessory panels secured by hinged doors.
- Streamlined design featuring an internal wire management raceway that keeps cables organized, along with three convenient ports for connectivity from sides, rear or bottom of the column, thru the table top.
- Easy accessibility for maintenance, with large peripheral panels and easy access to cables and peripherals.
- Sleek black allows for display to be mounted away from a wall.
- Backed by a 20-year warranty.
- 98% recyclable, all steel, powder coated materials.



# ACADIA

## TABLETOP DISPLAY STAND

AC/TT/BP/G/B



### Display Mount

- Holds 43-65", 55 lbs (25 kg)
- VESA Compliant 200 x 100 - 400 x 400

### Camera Mount

- Max Capacity: 15 lbs (7 kg)
- Shelf mounting pattern, 8.66"W (220mm) x 2"D (51mm)
- Wall mounting pattern 4.9"W (125mm) x 1.18"D (30mm)
- Tilt: +/-15°

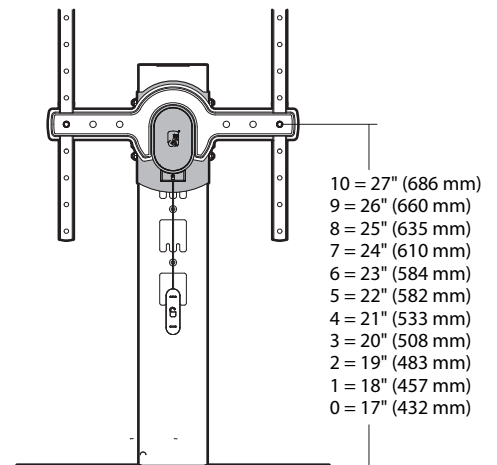
### Peripheral Storage & Wire Management

- (2) Peripheral Storage Panels:  
11.2"W (284mm) x 18.3H (465mm) x 2.6"D (67mm)
- Max Capacity of 9 lbs (4 kg) each

**Total Weight Capacity of 88 lbs (40 kg)**

### Height Adjustable

Screen Height Adjustment: (10) 1" increments,  
\*27" (686 mm) – 17" (432 mm) \*Centered VESA



### Clamp

AC/ACC/CLAMP

- Optional Table Clamp Accessory available for different table thickness from 5/16" (8mm) to 2" (50mm).
- Heavy gauge steel with Black powder coat finish. Provides additional stability and security.



