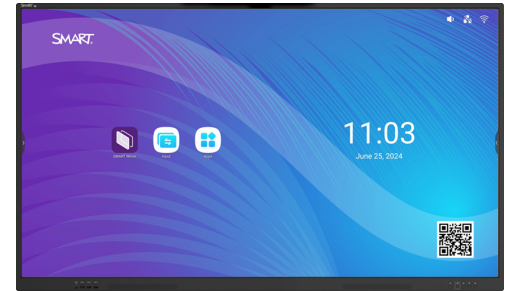




# SMART Board® NX series



## Display

<b>Screen sizes (diagonal)</b>	65"   75"   86"
<b>Backlight</b>	LED
<b>Aspect ratio</b>	16:9
<b>Maximum display resolution</b>	4K UHD (3840 × 2160)
<b>Refresh rate</b>	60 Hz
<b>Lifespan</b>	≥ 50,000 hours
<b>Brightness<sup>1</sup></b>	400 cd/m <sup>2</sup>
<b>Display response time</b>	≤ 8 ms
<b>Viewing angle</b>	178°
<b>Glass</b>	Full heat-tempered   Anti-glare   Bonded
<b>Frame color</b>	Black
<b>Sensors</b>	Ambient light   Infrared
<b>Audio</b>	2 integrated 20W speakers with high fidelity audio

## Embedded Android OS

<b>Operating system</b>	Android version 13.0
<b>CPU</b>	Quad-core
<b>Memory</b>	8 GB DDR4
<b>Storage</b>	64 GB
<b>Screen sharing</b>	✓
<b>Input select</b>	✓
<b>SMART Remote Management<sup>2</sup></b>	✓

<b>Languages supported</b>	Chinese (simplified)   Chinese (traditional)   Czech   Danish   Dutch   English   Estonian   Finnish   French   German   Greek   Hungarian   Italian   Japanese   Lithuanian   Norwegian   Polish   Portuguese   Romanian   Russian   Spanish   Swedish   Turkish
----------------------------	---

<b>Updates</b>	Over-the-air (OTA)
----------------	--------------------

## PC computing

<b>OPS support<sup>3</sup></b>	SMART PCM modules
<b>PC module power supported OPS</b>	90 W
<b>Optional computing module</b>	See > <a href="https://smarttech.com/accessories">smarttech.com/accessories</a>

<sup>1</sup>Brightness of individual displays can vary.

<sup>2</sup>Purchase of subscription to SMART Remote Management is required

<sup>3</sup>The support and performance of third-party OPS (Open Pluggable Specification) and OPS-C modules may vary. Conduct proper compatibility testing to avoid potential issues.

Inputs	Front	Back
OPS PC accessory slot	–	1
HDMI® 2.0 with HDCP 1.4 and HDCP 2.2 support	1	2
Display Port 1.2	–	1
VGA video	–	1
Stereo 3.5 mm (variable)	–	1
RS-232 (DB-9 connector)	–	1
RJ45 (LAN IN)	–	1
USB Type-C 4K @ 60Hz Display Port alternate mode, digital audio, USB 3.2 Gen 1 (DFP) for peripherals; 15 W power delivery	1	–
USB Type-C 4K @ 60Hz Display Port alternate mode, digital audio, USB 2.0 Hi-Speed USB	–	1
USB 2.0 Type-A	–	1
USB 3.2 Gen 1 Type-A	2	2

Outputs	Front	Back
HDMI 2.0 with HDCP 1.4 and 2.2 support	–	1
Stereo 3.5 mm (variable)	–	1
S/PDIF optical (fixed)	–	1
RJ45 (LAN OUT)	–	1

Included cables and accessories	Qty
Country-specific power cable	1
6' (1.8 m) USB 3.2 Gen 1 Type-C cable, 5A	1
External dual-band Wi-Fi (2.4 and 5 GHz) and Bluetooth® (2.4 GHz) antennas	2
Remote control with Air Mouse mode	1
AAA batteries	2
Illustrated installation instructions	1
Important information document	1

Connectivity	
<b>Wired</b>	RJ45 (x2) 1000BASE-T
<b>Wi-Fi</b>	IEEE 802.11ax (Wi-Fi 6) supporting WEP, WPA, WPA2, WPA3 PSK, and 802.1X EAP authentication protocols Wi-Fi access point
<b>Bluetooth</b>	5.0 dual mode

Storage and operating requirements	
<b>Power requirements</b>	100V to 240V AC, 50 Hz to 60 Hz
<b>Operating temperature</b>	32–104°F (0–40°C)
<b>Storage temperature</b>	14–140°F (–10–60°C)
<b>Humidity</b>	20–80% relative humidity, non-condensing

Power consumption	
<b>Typical</b>	65": 79 W 75": 88 W 86": 119 W
<b>Standby</b>	<0.5 W

Certification and compliance <sup>4</sup>	
<b>Regulatory models</b>	IDGX65-2   IDGX75-2   IDGX86-2
<b>US / Canada</b>	cULus   FCC   ISED   TSCA   CONEG Packaging   Proposition 65
<b>EU / EEA / EFTA / UK</b>	CE   UKCA   LVD   CB   EMC   RED   REACH   RoHS   Battery   WEEE   Packaging   POP   Ecodesign
<b>Australia / New Zealand</b>	RCM
<b>Performance standards</b>	ENERGY STAR®   HDMI   HDCP

Purchasing information <sup>5</sup>	
<b>Order numbers</b>	
<b>NX165</b>	SMART Board® NX065 display with screen sharing
<b>NX175</b>	SMART Board NX075 display with screen sharing
<b>NX186</b>	SMART Board NX086 display with screen sharing

**Optional accessories**  
See > [smarttech.com/accessories](https://smarttech.com/accessories)

**SMART Warranty**  
Terms and conditions and warranty upgrade options vary by region. Visit [smarttech.com/warranty](https://smarttech.com/warranty) or contact your reseller for information.

<sup>4</sup>Product availability may vary by region.

This product has received additional certifications not listed here.

<sup>5</sup>Order numbers may vary by region.

### Cable requirements

See > *SMART cables and connectors guide*  
([docs.smarttech.com/kb/171926](https://docs.smarttech.com/kb/171926))



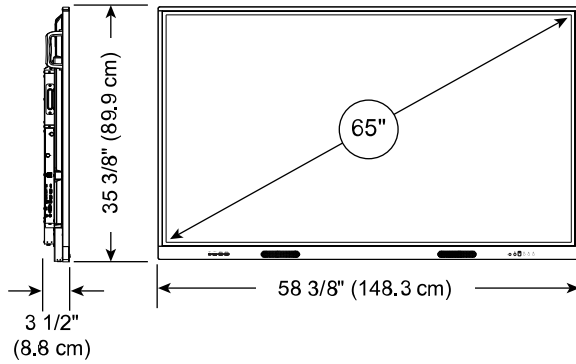
## Installation, dimensions, and weights

### Notes

- All dimensions  $\pm 1/8"$  (0.3 cm). All weights  $\pm 2$  lb. (0.9 kg).
- Product ships upright.

### 65" models

#### Dimensions



#### Weight

82 lb. (37 kg)

#### Shipping dimensions (including pallet)

63 3/4"  $\times$  45 7/8"  $\times$  6 1/4"  
(162 cm  $\times$  116.5 cm  $\times$  16 cm)

#### Shipping weight

118 lb. (54 kg)

#### VESA mount

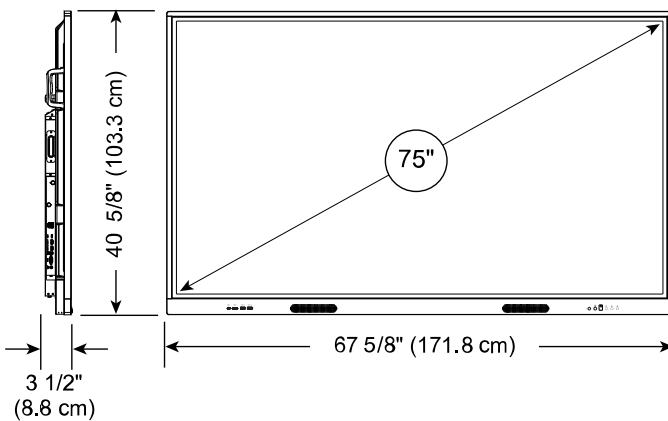
M8 | 600  $\times$  400 mm

#### Handles

2

### 75" models

#### Dimensions



#### Weight

114 lb. (52 kg)

#### Shipping dimensions (including pallet)

71 5/8"  $\times$  50 5/8"  $\times$  6 1/4"  
(182 cm  $\times$  128.5 cm  $\times$  16 cm)

#### Shipping weight

158 lb. (71 kg)

#### VESA mount

M8 | 800  $\times$  400 mm

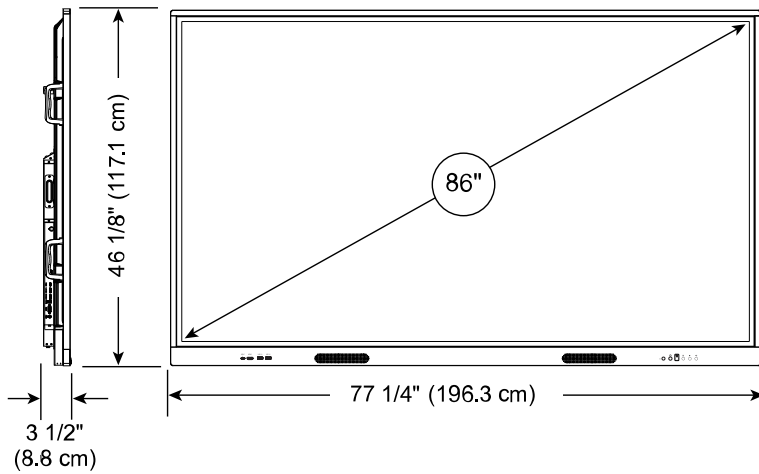
#### Handles

2

**Installation, dimensions, and weights (continued)**

**86" models**

**Dimensions**



**Weight**

143 lb. (65 kg)

**Shipping dimensions (including pallet)**

85 1/4" × 56 7/8" × 6 1/4"  
(216.5 cm × 144.5 cm × 16.0 cm)

**Shipping weight**

198 lb. (90 kg)

**VESA mount**

M8 | 800 × 600 mm

**Handles**

4

[smarttech.com](http://smarttech.com)  
[smarttech.com/contact](http://smarttech.com/contact)

© 2024 SMART Technologies ULC. All rights reserved. SMART Board, smarttech, the SMART logo and all SMART taglines are trademarks or registered trademarks of SMART Technologies ULC in the US and/or other countries. The Adopted Trademarks HDMI, HDMI High-Definition Multimedia Interface, and the HDMI Logo are trademarks or registered trademarks of HDMI Licensing Administrator, Inc. in the United States and other countries. Android is a trademark of Google Inc. All other third-party product and company names may be trademarks of their respective owners. This product and/or use thereof is covered by one or more of the following US patents: [www.smarttech.com/patents](http://www.smarttech.com/patents). Contents are subject to change without notice. August 16, 2024.