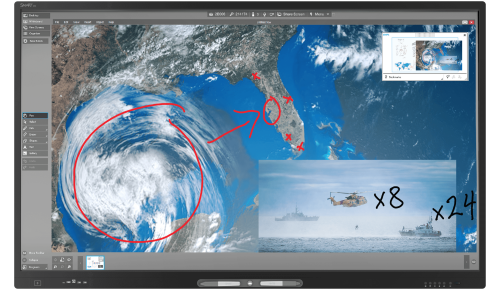




SMART Board® M Pro high secure series TAA

Available in the US and select international regions, and for US Federal agencies internationally



Display	
Screen sizes (diagonal)	55" 65" 75" 86"
Backlight	LED
Aspect ratio	16:9
Maximum display resolution	4K UHD (3840 × 2160)
Refresh rate	60 Hz
Lifespan	≥ 50,000 hours
Brightness ¹	55": 300 cd/m ² 65", 75", 86": 400 cd/m ²
Display response time	≤ 8 ms
Viewing angle	178°
Glass	55": Full heat-tempered Anti-glare 65", 75", 86": Full heat-tempered Anti-glare Bonded
Frame color	Black
Convenience buttons	Power Home Volume Input select Screen shade Freeze frame
Sensors	Ambient light Infrared
Audio	55": 2 integrated 15 W speakers 65", 75", 86": 2 integrated 20 W speakers
NFC	Integrated RFID NFC reader/writer CCID (chip card interface device) when used with a native operating system driver for Windows®, Linux®, or Mac Supported protocols: ISO 14443A/B, ISO 15693, NFC Tag 1-4

Interactive experience	
Touch technology	HyPr Touch™ with Advanced IR
Touch features	Simultaneous tool differentiation Object Awareness™ Silktouch™
Typical touch response time	≤ 5 ms
Frame rate	≥ 200 Hz
Accuracy	1 mm
Minimum object size	2 mm
Multitouch capabilities	40 – Windows 20 – Mac 10 – Chrome OS™
Tools included	Pens (x2)
Tool holders	Magnetic Frame-mounted
Software	
Included	SMART Meeting Pro® <ul style="list-style-type: none"> Room license Personal licenses (x10) SMART Product Drivers and SMART Ink®
Optional	SMART TeamWorks™
Embedded software	
Operating system	Not available

¹Brightness of individual displays can vary.

PC computing	
OPS support²	SMART PCM modules
PC module power supported OPS	85 W
Optional computing module	See > smarttech.com/accessories

Inputs	Front	Back
OPS PC accessory slot	–	1
HDMI® 2.1 4K @ 60Hz with HDCP 1.4, HDCP 2.3, ARC, and eARC support ³	1	3
VGA video	–	1
Stereo 3.5 mm (variable)	–	1
RS-232 (DB-9 connector)	–	1
RJ45 (LAN IN)	–	1
USB Type-C 4K @ 60Hz Display Port 1.2, USB 2.0 (UFP) for touch and digital audio, USB 3.2 Gen 1 (DFP) for peripherals; 27 W power delivery	1	–
USB Type-C, 4K @ 60Hz, Display Port 1.2, USB 2.0 (UFP) for touch and digital audio, USB 3.2 Gen 1 (DFP) for peripherals; 65W power delivery	–	1
USB 2.0 Type-A	–	1
USB 3.2 Gen 1 Type-A	2	2
USB 3.2 Gen 1 Type-B	1	3

Outputs	Front	Back
HDMI 2.1 4K @ 60Hz with HDCP 2.3 support	–	1
USB Type-C 4K @ 60Hz Display Port 1.4a, HDCP 2.3 and HDCP 1.3, USB 3.2 Gen 1; 4.5 W power delivery	–	1
Stereo 3.5 mm (variable)	–	1
S/PDIF optical (fixed)	–	1
RJ45 (LAN OUT)	–	1

²The support and performance of third-party OPS (Open Pluggable Specification) and OPS-C modules may vary. Conduct proper compatibility testing to avoid potential issues.

³ARC and eARC support are available only with the HDMI 2 input.

Included cables and accessories	Qty
Country-specific power cable	1
16' 5" (5 m) USB 2.0 A to B cable	1
6' (1.8 m) USB 3.2 Gen 1 Type-C cable, 5A	1
Pens	2
Remote control	1
AAA batteries	2
Illustrated installation instructions	1
Important information document	1

Connectivity

Wired	RJ45 (x2) 1000BASE-T
--------------	----------------------

Storage and operating requirements

Power requirements	100V to 240V AC, 50 Hz to 60 Hz
---------------------------	---------------------------------

Operating temperature	41–95°F (5–35°C)
------------------------------	------------------

Storage temperature	–4–140°F (–20–60°C)
----------------------------	---------------------

Humidity	5–80% relative humidity, non-condensing
-----------------	---

Power consumption

Typical	55": 72 W
	65": 90 W
	75": 103 W
	86": 149 W

Standby	0.2 W
----------------	-------

Certification and compliance⁴

Regulatory models	IDX55-5 IDX65-5 IDX75-5 IDX86-5
--------------------------	---------------------------------------

Country of origin	Mexico
--------------------------	--------

US / Canada	UL FCC ISED TSCA CONEG Packaging Proposition 65
--------------------	---

EU / EEA / EFTA / UK	CE UKCA LVD CB EMCD RED REACH RoHS Battery WEEE Packaging POP Ecodesign
-----------------------------	---

Australia / New Zealand	RCM RSM
--------------------------------	-----------

Performance standards	ENERGY STAR® HDMI HDCP
------------------------------	----------------------------

⁴Product availability may vary by region.

This product has received additional certifications not listed here.

Purchasing information⁵

Order numbers

M455-V5-P	SMART Board® M055-V5 Pro interactive display, high secure, TAA
M465-V5-P	SMART Board M065-V5 Pro interactive display, high secure, TAA
M475-V5-P	SMART Board M075-V5 Pro interactive display, high secure, TAA
M486-V5-P	SMART Board M086-V5 Pro interactive display, high secure, TAA

Optional accessories

WM-SBID-200	SMART Wall Mount for SMART MX series interactive displays
Other accessories	See > smarttech.com/accessories

SMART Warranty

Terms and conditions and warranty upgrade options vary by region. Visit smarttech.com/warranty or contact your reseller for information.

Cable requirements

See > *SMART cables and connectors guide* (docs.smarttech.com/kb/171926)



⁵Order numbers may vary by region.

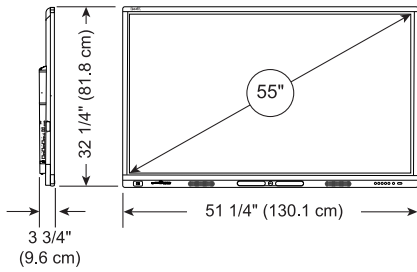
Installation, dimensions, and weights

Notes

- All dimensions $\pm 1/8"$ (0.3 cm). All weights ± 2 lb. (0.9 kg). All dimensions and weight values are preliminary and subject to change.
- Product ships upright.
- Leave space around the display to ensure adequate ventilation.

55" models

Dimensions



Weight

71 lb. (32 kg)

Shipping dimensions (including pallet)

56 1/8" \times 43 3/4" \times 6 1/4"
(142.5 cm \times 111 cm \times 16 cm)

Shipping weight

103 lb. (47 kg)

VESA mount

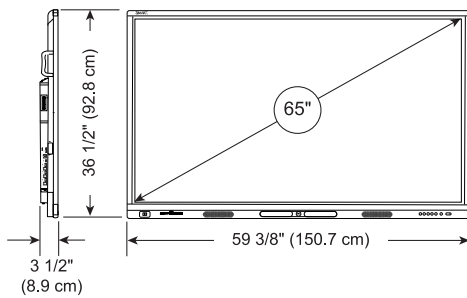
M8 | 400 \times 400 mm

Handles

-

65" models

Dimensions



Weight

89 lb. (40 kg)

Shipping dimensions (including pallet)

63 3/4" \times 45 7/8" \times 6 1/4"
(162 cm \times 116.5 cm \times 16 cm)

Shipping weight

124 lb. (56 kg)

VESA mount

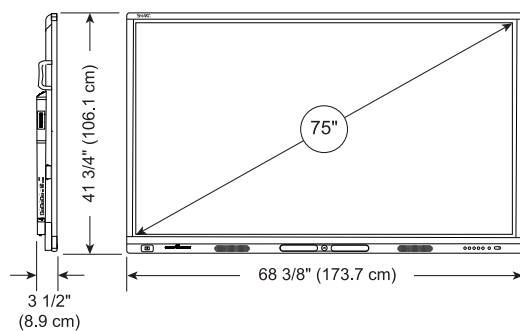
M8 | 600 \times 400 mm

Handles

2

75" models

Dimensions



Weight

119 lb. (54 kg)

Shipping dimensions (including pallet)

71 5/8" \times 50 5/8" \times 6 1/4"
(182 cm \times 128.5 cm \times 16 cm)

Shipping weight

159 lb. (72 kg)

VESA mount

M8 | 800 \times 400 mm

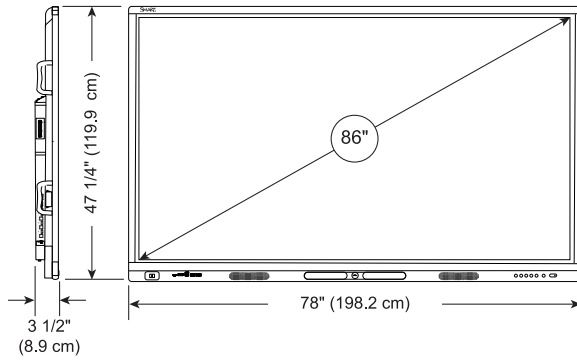
Handles

2

Installation, dimensions, and weights (continued)

86" models

Dimensions



Weight

150 lb. (68 kg)

Shipping dimensions (including pallet)

85 1/4" × 56 7/8" × 6 1/4"
(216.5 cm × 144.5 cm × 16 cm)

Shipping weight

207 lb. (94 kg)

VESA mount

M8 | 800 × 400 mm

Handles

4

smarttech.com
smarttech.com/contact

© 2024 SMART Technologies ULC. All rights reserved. SMART Board, SMART Meeting Pro, SMART TeamWorks, SMART Ink, HyPr Touch, Simultaneous Tool Differentiation, Object Awareness, SilkTouch, smarttech, the SMART logo and all SMART taglines are trademarks or registered trademarks of SMART Technologies ULC in the US and/or other countries. The Adopted Trademarks HDMI, HDMI High-Definition Multimedia Interface, and the HDMI Logo are trademarks or registered trademarks of HDMI Licensing Administrator, Inc. in the United States and other countries. Chrome OS is a trademark of Google Inc. All other third-party product and company names may be trademarks of their respective owners. This product and/or use thereof is covered by one or more of the following US patents: www.smarttech.com/patents. Contents are subject to change without notice. May 30, 2024.