

**MOUNTS
TWIN
SCREENS**

FPMA-D550DBLACK

FULL MOTION DUAL DESK MOUNT

The FPMA-D550DBLACK is a full motion desk mount suitable for use with two screens up to 32". The dual arms features three pivot points for easy screen positioning and the manual height adjustment, screen tilt and screen rotation help create an optimum working position. The desk mount can be easily clamped to the rear or side of a desk or fixed through a grommet hole and the cable management clips ensures a neat and tidy installation.

SPECIFICATION

Recommended screen size	10" up to 32"
Max load (per screen)	18lbs
VESA® compatibility	75 x 75 & 100 x 100
Screens mounted	2
Tilt	+/- 45°
Swivel at pole / arm / interface	180° / 360° / 180°
Screen rotation	360°
Depth adjustment	1.5" - 18"
Height adjustment	17.3"
Color	Black

FEATURES

- Full motion arm allows easy screen positioning
- 3 pivot points at pole / arm / interface
- Tool-less tilt and screen rotation
- Easy screen hook-on installation
- Supplied with both a desk clamp and grommet fixings
- Clamp adjustment for desktop thickness: 0.4" - 3.5"
- Integrated cable management
- Simple installation with all fixings included



fullmotionmounts



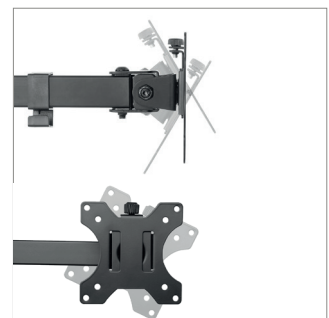
Cable management for a neat and tidy installation



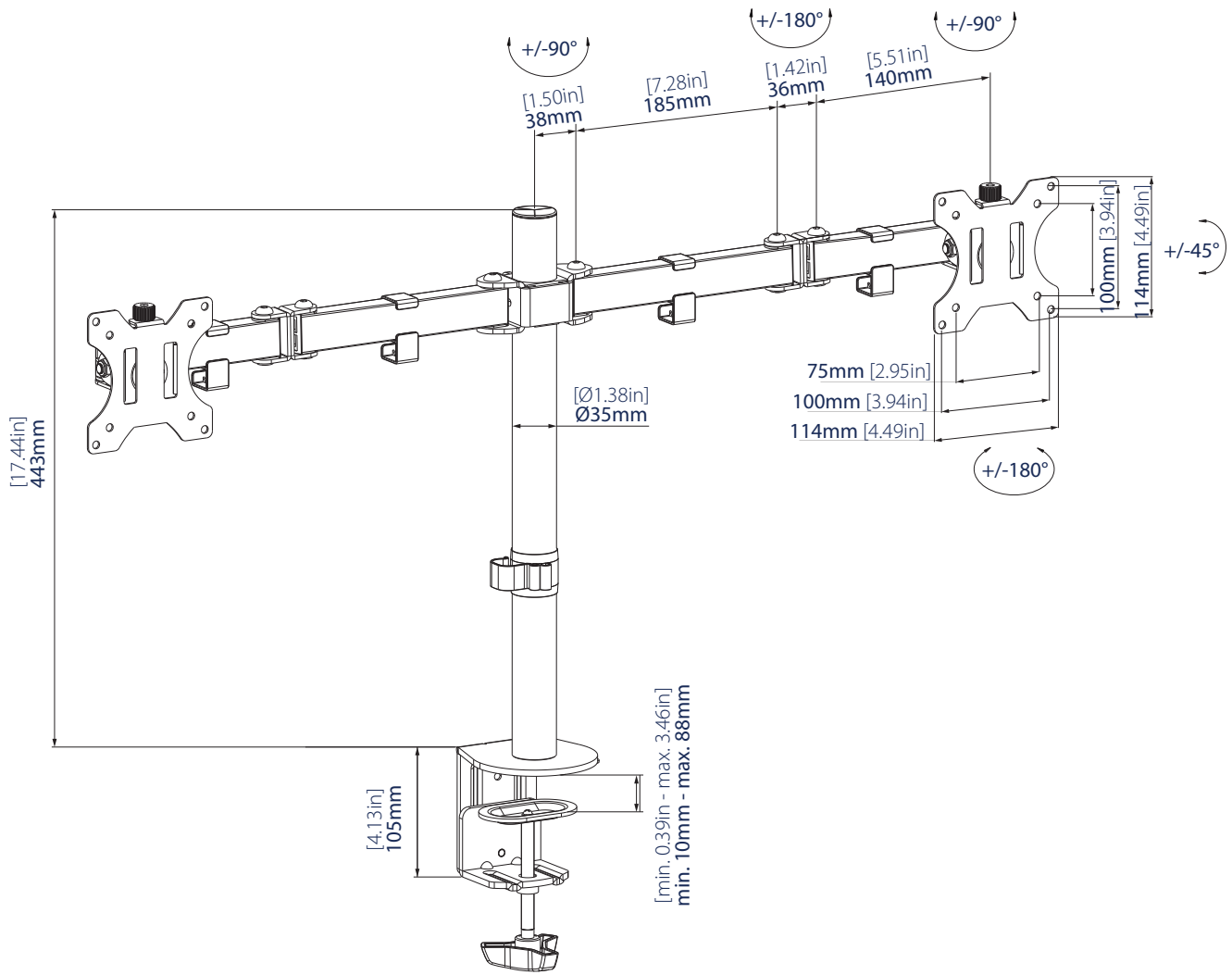
Can clamp to the side of a desk or fixed through a grommet hole



3 pivot points on the arms allow for easy screen positioning



The interface features a tool-less screen tilt and full rotation



PACKING INFORMATION

COLOUR:	ORDER REF:	UPC CODE:
Black	FPMA-D550DBLACK	811867031522

ACCESSORIES & RELATED PRODUCTS

FPMA-D550DBLACK



Full Motion Dual Desk Stand designed for two 32" screens

FPMA-D550BLACK



Full Motion Desk Mount designed for screens up to 32"

FPMA-D550D3BLACK



Full Motion Triple Desk Mount designed for three 27" screens

DS75-450BL2



Full Motion Dual Desk Mount designed for two screens up to 32"

© 2015 B-Tech International Pty. Ltd. All rights reserved.
 The information in this document is subject to change without notice. B-Tech International Pty. Ltd. is not responsible for any damage caused by improper use, installation or modification of any part of the product. B-Tech International Pty. Ltd. is not responsible for any damage caused by improper use, installation or modification of any part of the product. B-Tech International Pty. Ltd. is not responsible for any damage caused by improper use, installation or modification of any part of the product. B-Tech International Pty. Ltd. is not responsible for any damage caused by improper use, installation or modification of any part of the product.