

**EASY
SCREEN
POSITIONING**

FPMA-D550BLACK

FULL MOTION DESK MOUNT

The FPMA-D550BLACK is a full motion single arm desk mount suitable for use with screens up to 32". The arm features three pivot points with manual height adjustment and the screen tilt and rotation allows for easy screen positioning. The desk mount can be easily clamped to the rear or side of a desk or fixed through a grommet hole and the cable management clips ensures a neat and tidy installation.

SPECIFICATION

Recommended screen size	10" up to 32"
Max load	18lbs
VESA® compatibility	75 x 75 & 100 x 100
Screens mounted	1
Tilt	+/- 45°
Swivel at pole / arm / interface	180° / 360° / 180°
Screen rotation	360°
Depth adjustment	1.5" - 18"
Height adjustment	17.3"
Color	Black

FEATURES

- Full motion arm allows easy screen positioning
- 3 pivot points at pole / arm / interface
- Tool-less tilt and screen rotation
- Supplied with both a desk clamp and grommet fixings
- Clamp adjustment for desktop thickness: 0.4" - 3.5"
- Integrated cable management
- Simple installation with all fixings included



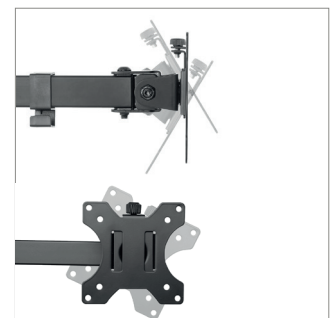
Cable management for a neat and tidy installation



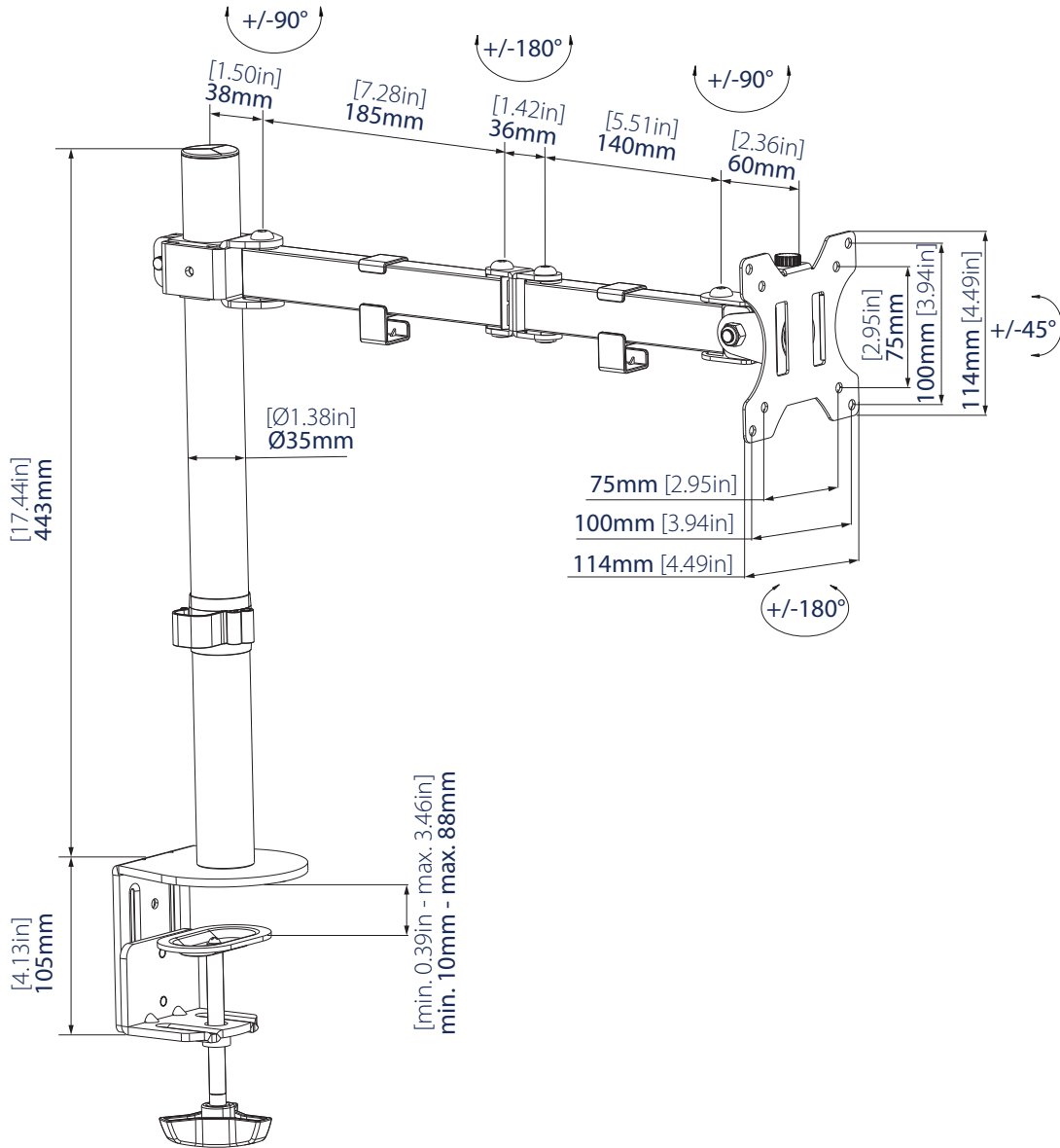
Can clamp to the side of a desk or fixed through a grommet hole



3 pivot points on arm allows easy screen positioning for the perfect display



Tool-less screen tilt and rotation functions



PACKING INFORMATION

COLOUR:	ORDER REF:	UPC CODE:
Black	FPMA-D550BLACK	811867031515

ACCESSORIES & RELATED PRODUCTS



DS70-450BL1
Full Motion Desk Mount designed for screens up to 42"

FPMA-D550DBLACK
Full Motion Dual Desk Mount designed for two 32" screens

FPMA-D550D3BLACK
Full Motion Triple Desk Mount designed for three 27" screens

FPMA-D550DDBLACK
Full Motion Dual Desk Stand designed for two 32" screens

© 2015 B-Tech International Pty Ltd. All rights reserved.
The information in this document is subject to change without notice. B-Tech International Pty Ltd. is not responsible for any errors or omissions in this document. B-Tech International Pty Ltd. is not responsible for any damage or loss of data caused by the use of this product. Any reproduction or transmission of any part of this document is strictly prohibited unless prior written permission has been granted by B-Tech International Pty Ltd.

SS-FMPA-D550BLACK-V1-310523-US