



AVAILABLE
 IN 3
 HEIGHTS

BT8552

UNIVERSAL BACK-TO-BACK FLAT SCREEN FLOOR STAND

Designed to mount two screens back-to-back in landscape or portrait orientation, the BT8552 is available in a choice of three heights; 1.1m, 1.5m and 2m. The stand features B-Tech's unique 'Torsion-Tilt' mechanism for easy tilt adjustment up to +/-15°. Levelling screws are included on the interface arms to finely adjust the screen height after installation. The heavy duty base can be bolted to the floor for permanent displays or alternatively used freestanding with the rubber feet supplied.

SPECIFICATION

Recommended screen size	39" - 65"
Max load	35kg per screen
VESA® and non-VESA fixings	600 x 400
Tilt adjustment	+/- 15°
Base dimensions	W: 890mm D: 850mm H: 22mm
Colour option (Ø60mm poles)	Black or Chrome

FEATURES

- Universal design suitable to mount 2 screens back-to-back
- Can mount screens in a landscape or portrait orientation
- Unique 'Torsion-tilt' mechanism for easy tilt adjustment
- Arms feature levelling screws to adjust the screen height
- Heavy duty base can be used freestanding or bolted to the floor
- Shelves and other accessories can be fitted to the poles using Ø60mm accessory collars
- Safety screws help prevent unauthorised screen removal
- Integrated cable management for a neat and tidy installation
- Simple 'hook-on' installation
- All mounting hardware included



Available in 3 heights

BT8552-100	1m Pole
BT8552-150	1.5m Pole
BT8552-200	2m Pole



PER SCREEN

POLES



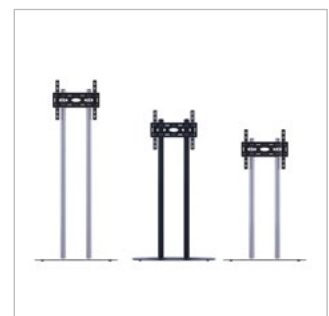
Arms feature levelling screws to adjust the screen height



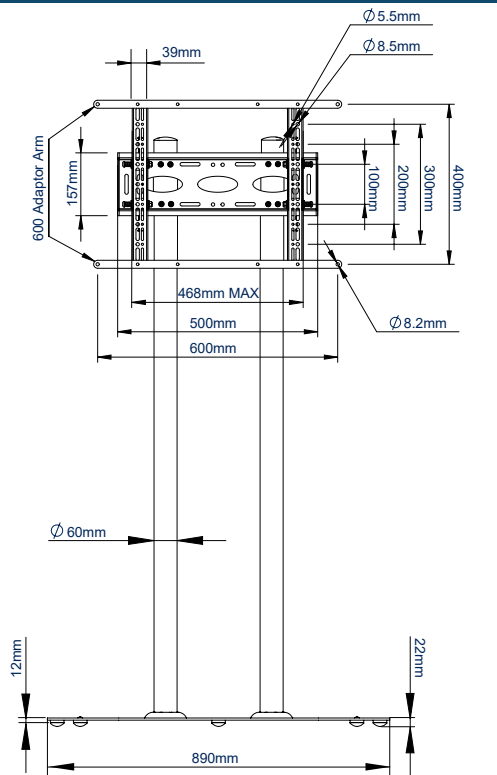
Security locking screws and Allen key provided for a secure installation



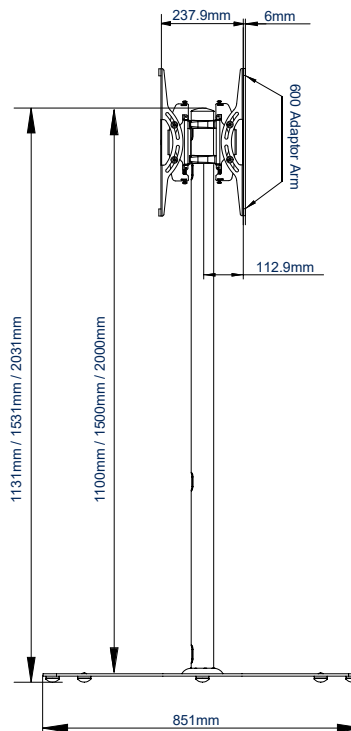
Mount screen in a landscape or portrait orientation



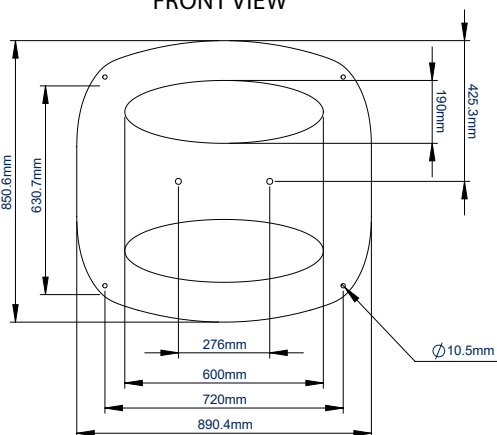
Available in three heights



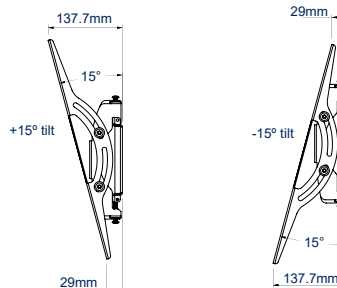
FRONT VIEW



SIDE VIEW



BASE



TILT RANGE

PACKING INFORMATION

PLEASE NOTE, THIS IS A 3 BOX ITEM

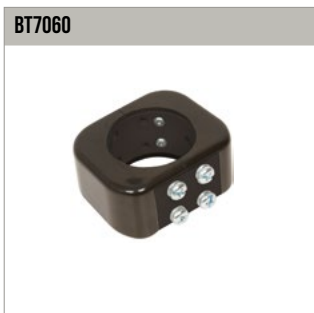
ORIGINAL DESIGNS BY B-TECH AV MOUNTS - REGISTERED DESIGNS & PATENTS APPLY

COLOUR:	ORDER REF:	EAN CODE:	MASTER CARTON QTY:	INNER CARTON QTY:	MASTER CARTON WEIGHT:	MASTER CARTON CUBE:
Black with Black Poles	BT8552-100/BB	5019318089473	1 / 1 / 1	0 / 0 / 0	28.8kg / 6.8kg / 8.42kg	0.067 / 0.016 / 0.030 cbm
Black with Chrome Poles	BT8552-100/BC	5019318089480	1 / 1 / 1	0 / 0 / 0	28.8kg / 6.8kg / 8.42kg	0.067 / 0.016 / 0.030 cbm
Black with Black Poles	BT8552-150/BB	5019318089497	1 / 1 / 1	0 / 0 / 0	28.8kg / 9.20kg / 8.42kg	0.067 / 0.021 / 0.030 cbm
Black with Chrome Poles	BT8552-150/BC	5019318089503	1 / 1 / 1	0 / 0 / 0	28.8kg / 9.20kg / 8.42kg	0.067 / 0.021 / 0.030 cbm
Black with Black Poles	BT8552-200/BB	5019318089510	1 / 1 / 1	0 / 0 / 0	28.8kg / 11.90kg / 8.42kg	0.067 / 0.019 / 0.030 cbm
Black with Chrome Poles	BT8552-200/BC	5019318089527	1 / 1 / 1	0 / 0 / 0	28.8kg / 11.90kg / 8.42kg	0.067 / 0.019 / 0.030 cbm

ACCESSORIES AND RELATED PRODUCTS



BT260
Ø60mm Accessory Collar fit AV accessory mounts such as component shelves onto poles



BT060
Ø60mm Heavy Duty Accessory Collar fit AV accessory mounts such as component shelves onto poles



BT032
Large AV Accessory Shelf is ideal for adding AV accessories such as a Blu-Ray player or laptop to an installation



BT7864
VC Camera Shelf for Twin Pole Floor Stand for loads up to 4kg

© 2016 B-Tech Av Mounts. All rights reserved. This information is provided for informational purposes only. B-Tech Av Mounts and its logo are registered trademarks of B-Tech Av Mounts. All other trademarks are the property of their respective owners. B-Tech Av Mounts is not responsible for any damage caused by improper installation or use of its products. Any reproduction or modification of any part of this specification is strictly prohibited unless prior written permission has been granted by B-Tech Av Mounts.

SS-V4.1-BT8552-050819