

FREESTANDING SOLUTION FOR TWIN SCREENS UP TO 86"

BT8528

XXL TWIN SCREEN VC STAND

The BT8528 is a premium freestanding mounting solution designed to mount two XL screens side by side, ideal for video conferencing applications. The stand features adjustable levelling feet to position the unit on uneven floors and maintain a level viewing experience. Integrated cable management hides cables for a tidy installation, and all interface arms include level adjustment screws for easy screen alignment.

SPECIFICATION

Screen size	70" - 86"
Max load	100kg per screen
VESA and non-VESA	up to 1000 x 800
Dimensions (Stand)	W: 3000mm H: 1926.5mm D: 950mm
Dimensions (VC Shelf)	W: 120mm H: 3mm D: 235mm
Colour	Black or Silver & Black

FEATURES

- Universal design suitable for mounting two XL screens side by side
- Interface arms include levelling screws to adjust the screen height
- Integrated VC shelf with an adjustable arm allows a camera to be fitted above or below the screen
- VC shelf fits most cameras with 1/4" thread and 100 x 100mm fixing points
- Integrated cable management for a tidy installation
- Safety screws help prevent unauthorised screen removal
- Adjustable levelling feet can be individually adjusted for a level display on an uneven floor
- Simple 'hook-on' screen installation



SYSTEM X™

PER SCREEN



Universal design suitable for mounting two XL screens side by side



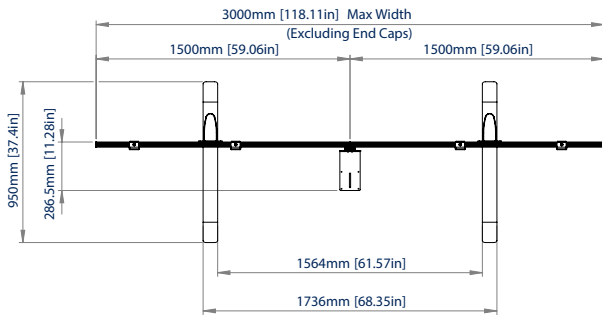
Integrated VC shelf with an adjustable arm allows a camera to be fitted above or below the screen



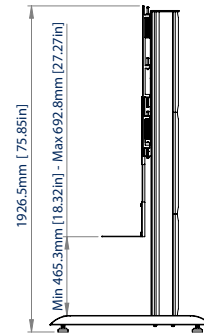
Integrated cable management for a tidy installation



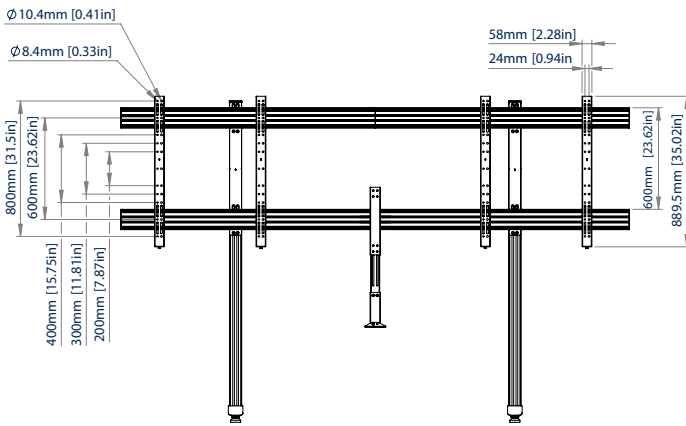
Adjustable levelling feet can be individually adjusted for a level display on an uneven floor



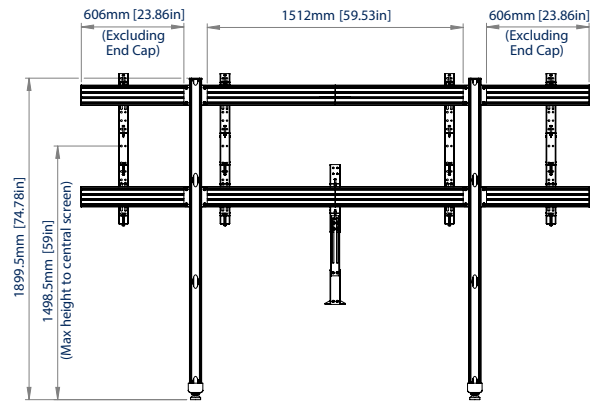
TOP VIEW



SIDE VIEW



FRONT VIEW



REAR VIEW

ORDER INFORMATION

PLEASE NOTE, THIS IS A **MULTI-BOX** ITEM.

COLOUR:	ORDER REF:	EAN CODE:	MASTER CARTON WEIGHT:	MASTER CARTON CUBE:
Black	BT8528/BB	5019318307362	9kg (x2) / 6kg (x4) / 5kg (x2) / 2.35kg / 1.56kg / 13.9kg	0.047 (x2) / 0.033 (x4) / 0.006 (x2) / 0.004 / 0.000 / 0.051cbm
Silver & Black	BT8528/BS	5019318307379	9kg (x2) / 6kg (x4) / 5kg (x2) / 2.35kg / 1.56kg / 13.9kg	0.047 (x2) / 0.033 (x4) / 0.006 (x2) / 0.004 / 0.000 / 0.051cbm

ACCESSORIES AND RELATED PRODUCTS



BT7884
Flip Down AV Storage Tray suitable for storing a variety of AV equipment



BT7874
Mounting Plate for Logitech Videobars compatible with the BT8528 mounting arm



BT8416
Twin Screen VC Wall Mount designed for screens up to 65" and 70kg per screen



BT8518
XXL Twin Screen VC Trolley designed for screens up to 86" and 100kg per screen

© 2018 B-Tech Professional Design & Manufacturing Ltd. All rights reserved.
The information in this specification sheet reflects the current technical specifications of B-Tech Professional Design & Manufacturing Ltd. We warrant the information to be true and correct at the time of printing. This information is provided for informational purposes only. B-Tech Professional Design & Manufacturing Ltd. is not responsible for any damage or loss of data caused by improper use, installation or modification of the product. Any reproduction or transmission of any part of this specification is expressly prohibited unless prior written permission has been granted by B-Tech Professional Design & Manufacturing Ltd. (B-Tech).

SS-V1.2-BT8528-041023