

**MOBILE SOLUTION FOR TWIN SCREENS UP TO 86"**

# BT85 18

## XXL TWIN SCREEN VC TROLLEY

The BT8518 is a premium mobile mounting solution designed to mount two XL screens side by side, ideal for video conferencing applications. The stand features Non-marking braked castors that allow the trolley to be relocated quickly and safely without marking floor surfaces. Integrated cable management hides cables for a tidy installation, and all interface arms include level adjustment screws for easy screen alignment.

### SPECIFICATION

Screen size	75" - 86"
Max load	100kg per screen
VESA and non-VESA	up to 1000 x 800
Dimensions (Trolley)	W: 3000mm H: 2026mm D: 950mm
Dimensions (VC Shelf)	W: 120mm H: 3mm D: 235mm
Colour	Black or Silver & Black

### FEATURES

- Universal design suitable for mounting two XL screens side by side
- Interface arms include levelling screws to adjust the screen height
- Integrated VC shelf with an adjustable arm allows a camera to be fitted above or below the screen
- VC shelf fits most cameras with 1/4" thread and 100 x 100mm fixing points
- Integrated cable management for a tidy installation
- Safety screws help prevent unauthorised screen removal
- Lockable non-marking 4" castors
- Simple 'hook-on' screen installation



SYSTEM X™

PER SCREEN



Universal design suitable for mounting two XL screens side by side



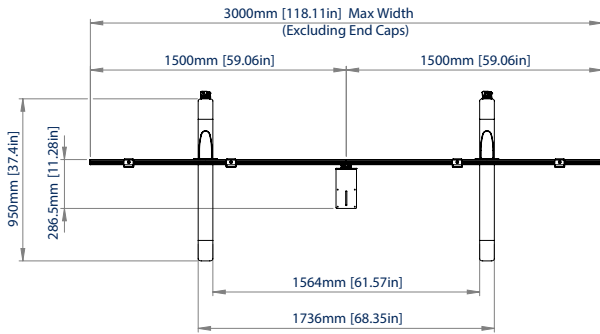
Integrated VC shelf with an adjustable arm allows a camera to be fitted above or below the screen



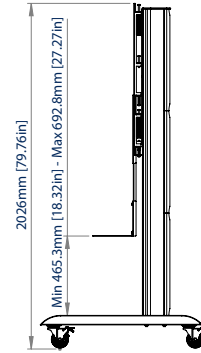
Integrated cable management for a tidy installation



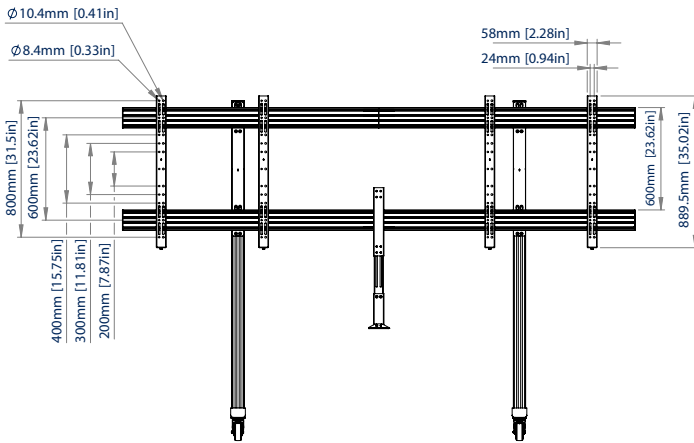
Lockable non-marking 4" castors



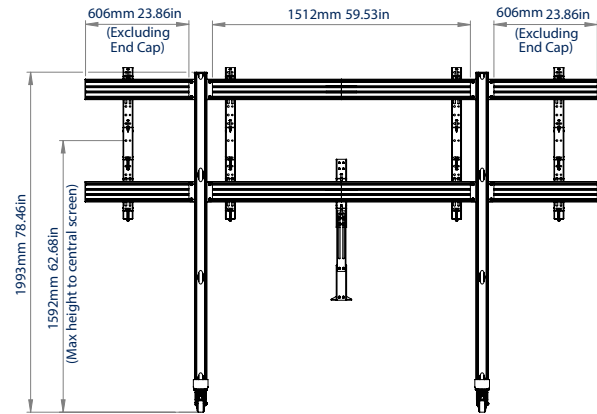
TOP VIEW



SIDE VIEW



FRONT VIEW



REAR VIEW

ORDER INFORMATION

PLEASE NOTE, THIS IS A **MULTI-BOX** ITEM.

COLOUR:	ORDER REF:	EAN CODE:	MASTER CARTON WEIGHT:	MASTER CARTON CUBE:
Black	BT8518/BB	5019318307331	9kg (x2) / 6kg (x4) / 5kg (x2) / 2.35kg / 1.56kg / 20.2kg / 21.7kg	0.047 (x2) / 0.033 (x4) / 0.006 (x2) / 0.004 / 0.000 / 0.043 / 0.05cbm
Silver & Black	BT8518/BS	5019318307355	9kg (x2) / 6kg (x4) / 5kg (x2) / 2.35kg / 1.56kg / 20.2kg / 21.7kg	0.047 (x2) / 0.033 (x4) / 0.006 (x2) / 0.004 / 0.000 / 0.043 / 0.05cbm

ACCESSORIES AND RELATED PRODUCTS



**BT7884**  
Flip Down AV Storage Tray suitable for storing a variety of AV equipment



**BT7874**  
Mounting Plate for Logitech Videobars compatible with the BT8518 mounting arm



**BT8416**  
Twin Screen VC Wall Mount designed for screens up to 65" and 70kg per screen



**BT8538**  
XL Twin Screen VC Bolt Down Stand designed for screens up to 86" and 100kg per screen

© 2018 B-Tech International Pty. Ltd. All rights reserved. The information in this specification sheet reflects the current technical specifications of B-Tech International Design & Manufacturing Ltd. We warrant only to the extent of the technical specifications and do not warrant the physical specifications without our notice. This B-Tech International Design & Manufacturing Ltd. is not responsible for loss or damage caused by improper installation or mounting on unsuitable structures. Any reproduction or retransmission or replication of any part of this specification is expressly prohibited, unless prior written permission has been granted by B-Tech International Design & Manufacturing Ltd. (B-Tech).

SS-V1.3-BT8518-031023