

BT8380-RFB

RETRACTABLE FLOOR BASE

Designed to allow front access to installs that are fitted close to store windows. The Retractable Floor Base fits directly to a range of B-Tech Vertical Columns and Floor Poles, enabling the display stand to be smoothly moved up to 400mm backwards. This allows access to the front of the cabinets for servicing and maintenance whilst the base remains securely fixed to the floor throughout.

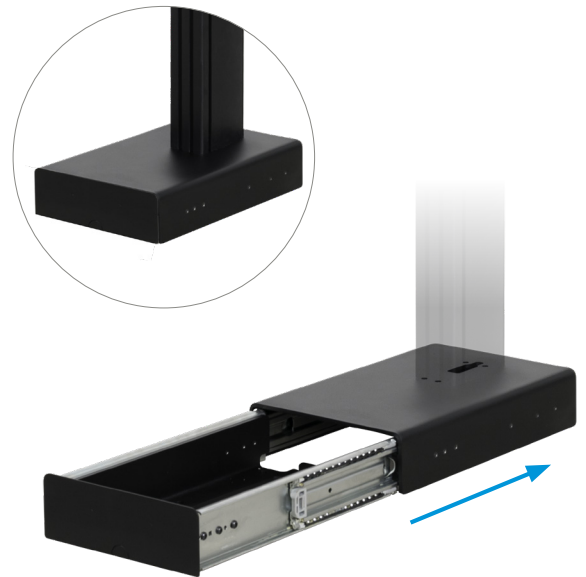
SPECIFICATIONS

Maximum Retraction	400mm
Max Load Floor Mounted (Column)	150kg
Max Load Floor Mounted (Pole)	40kg
Max Load Ceiling Mounted	75kg
Dimensions	W: 262mm H: 88mm D: 426-832mm
Colour	Black

FEATURES

- 1 Ideal for shop fronts, close-to-the-window installations
- 2 Sliding floor base retracts a System X column/display stand backwards
- 3 Fits directly to System X BT8380 Columns and BT8381 Columns
- 4 Also compatible with Ø50mm Floor Stand Poles (BT4107, BT4116 & BT4118)
 - Lockable mechanism
 - Small internal storage area available, ideal for power supplies
 - Cable management
 - Handle included to aid with retraction

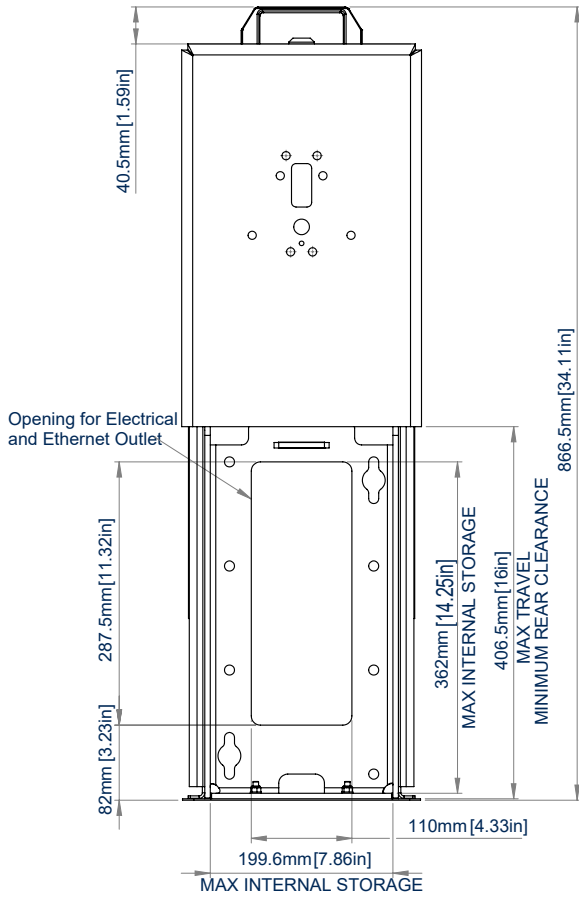
SYSTEM X™



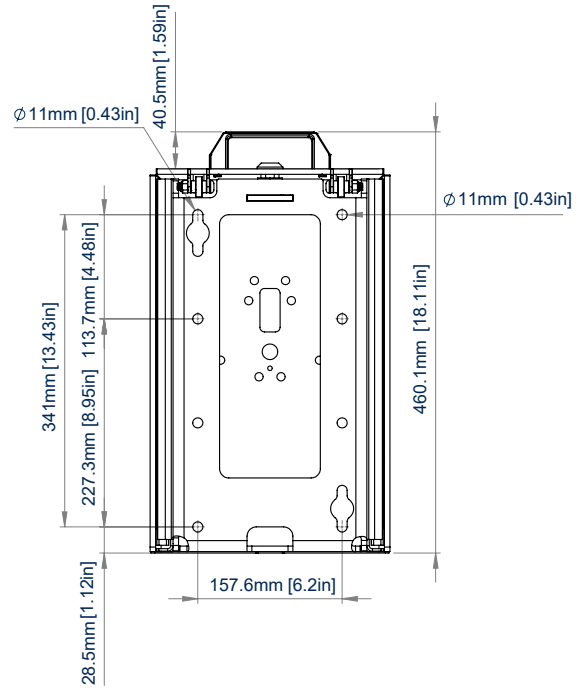
<p>MAX LOAD FLOOR (COLUMN)</p> <p>150kg</p>	<p>MAX LOAD FLOOR (POLE)</p> <p>40kg</p>	<p>MAX LOAD CEILING</p> <p>75kg</p>	
--	---	--	--



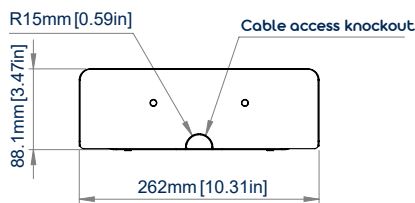
BT8380-RFB



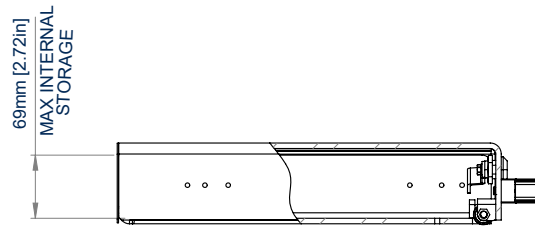
TOP VIEW
OPEN



BOTTOM VIEW
CLOSED



REAR VIEW



SIDE VIEW

ORDERING INFORMATION

COLOUR	ORDER REF	EAN
Black	BT8380-RFB/B	5019318307546

RELATED PRODUCTS

PRODUCT CODE	NAME	DESCRIPTION
BT8380	Vertical Column	The backbone of most System X trolley or floor stand installations
BT8381	Vertical Support Column	Fixes to a B-Tech Floor Base
BT4116	Ø50mm Floor Stand Pole - 1.6m	Designed for use with B-Tech's range of floor bases, to suit a variety of solutions
BT4118	Ø50mm Floor Stand Pole - 1.8m	Designed for use with B-Tech's range of floor bases, to suit a variety of solutions

© 2018 B-Tech AV Mounts Components Ltd. All rights reserved.
The information in this specification sheet reflects the current technical specifications at the time of printing.
We reserve the right to change the technical or physical specifications without prior notice. This B-Tech name and the B-Tech logo are registered trademarks of B-Tech AV Mounts Co. Ltd.
B-Tech is not responsible for any loss or damage caused by improper installation or mounting on unsuitable structures. Any reproduction or use of information or specification of any part of this specification sheet is strictly prohibited unless prior written permission is granted by B-Tech AV Mounts Co. Ltd. 0262.

SS-V2-BT8380-RFB-290224