

# BT7878

## MOUNTING PLATE FOR YEALINK A30 / MEETINGEYE 600

The BT7878 is a mounting plate designed for mounting a Yealink A30 or MeetingEye 600 video conferencing camera to a variety of B-Tech products. Using an accessory mounting arm, the BT7878 can be positioned above or below a screen mounted on a compatible B-Tech flat screen wall mount or to a System X BT8390 rail. The mounting plate can also be pole mounted using a Ø50mm collar, or alternatively can attach directly to a B-Tech Column. The BT7878 platform includes a universal mounting slot for installing VC cameras.

### SPECIFICATIONS

Max load	<b>4kg</b>
Dimensions	W: <b>100mm</b> x H: <b>70mm</b> x D: <b>103mm</b>
Steel thickness	<b>3mm</b>
Colour	<b>Black</b>

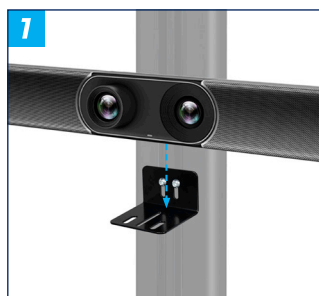
### FEATURES

- 1 Designed to mount Yealink A30 and Yealink MeetingEye 600
- 2 Can use BT8390-SA to mount above or below any screen on a System X Rail
- 3 Use with BT7031 to mount above / below B-Tech Flat Screen Wall Mounts
- 4 Compatible with BT7052 / BT7841 Collars for use with Ø50mm Poles
  - Mounts directly to a BT8380 / BT8381 Column
  - Features central slot suitable for mounting small VC cameras & webcams
  - Uses BT7034 for mounting above / below B-Tech Media Storage Mounts
  - Simple installation
  - All mounting hardware included

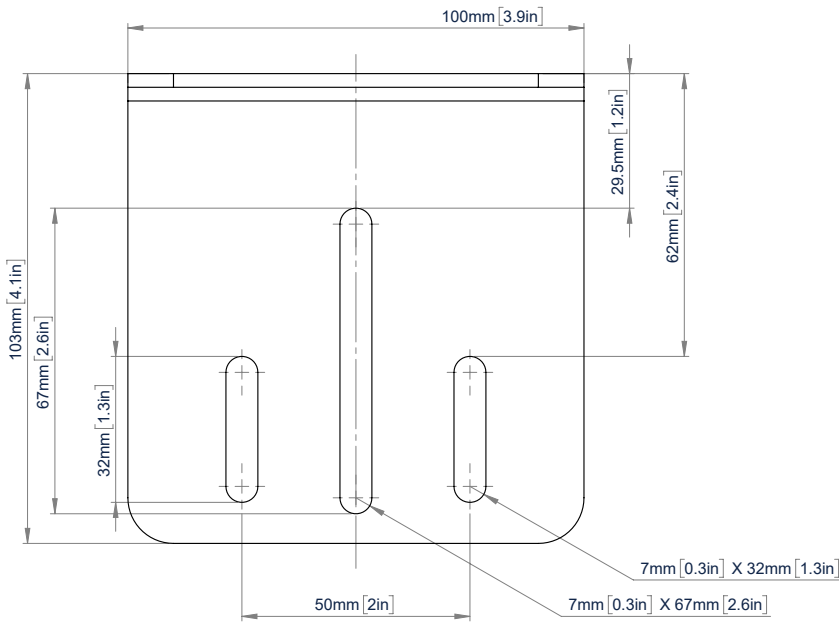
Suitable for a variety of major brands, including:



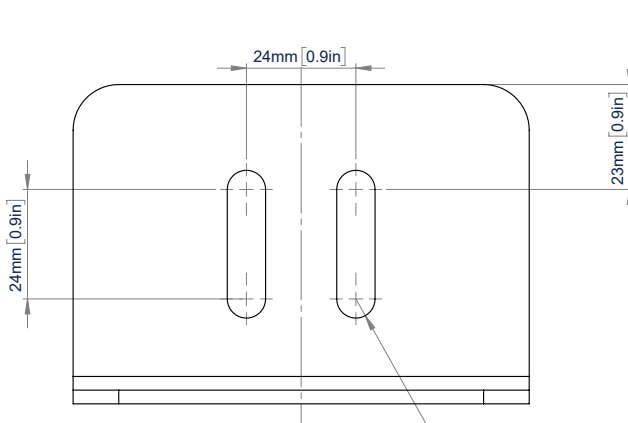
MAX LOAD 4kg	COLOUR 	
-----------------	------------	--



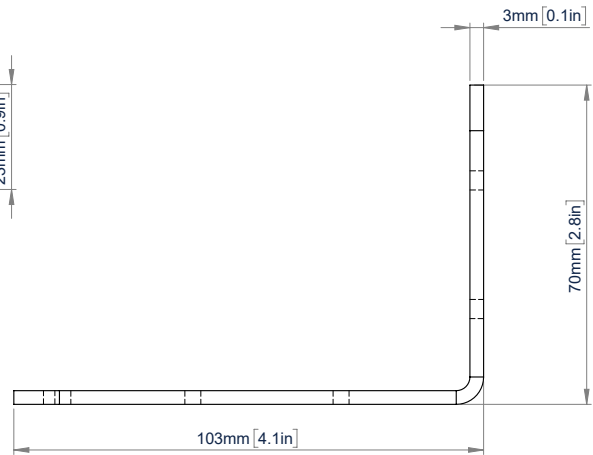
# BT7878



**TOP VIEW**



**FRONT VIEW**



**SIDE VIEW**

## ORDERING INFORMATION

COLOUR	ORDER REF	EAN
Black	BT7878/B	5019318307195

## RELATED PRODUCTS

PRODUCT CODE	NAME	DESCRIPTION
BT7031	Accessory Mounting Arm	Allows mounted accessories to be positioned above or below a B-Tech wall mount
BT8390-SA	Accessory Mounting Arm	Allows mounted accessories to be positioned above or below a System X rail
BT8380/81/85	B-Tech Columns	For a fixed, freestanding or mobile applications
BT7875	Video Bar Mounting Plate	For Yealink UVC40 / A20 / MeetingEye 400, Logitech Meet Up & Poly Studio X30 & more

SS-V2-BT7878-200224

© 2024 B-Tech AV Mounts Corporation Ltd. All rights reserved. B-Tech, B-Tech AV Mounts, and the B-Tech logo are registered trademarks of B-Tech AV Mounts Corporation Ltd. All other brands and products are trademarks of their respective owners. All B-Tech images and product names are the property of B-Tech AV Mounts Corporation Ltd. All other images and product names are the property of their respective owners. All other trademarks are the property of their respective owners. All other trademarks are the property of their respective owners. All other trademarks are the property of their respective owners.