

BT7877

MOUNTING PLATE FOR BOSE VIDEOBAR VB1 / VB-S, NEAT.BAR / NEAT.BAR PRO, YEALINK MSPEAKER II & LOGITECH RALLY PLUS

The BT7877 is a mounting plate designed for mounting Bose Videobar VB1, / VBS, Neat.Bar / Neat.Bar Pro, Yealink MSpeaker II or Logitech Rally Plus Speakers to a variety of B-Tech products. Using an accessory mounting arm, the plate can be positioned above or below a screen mounted on a B-Tech flat screen wall mount or to a System X Rail. The BT7877 is also compatible with B-Tech accessory collars for pole mounting, or alternatively can be fitted directly to a B-Tech column.



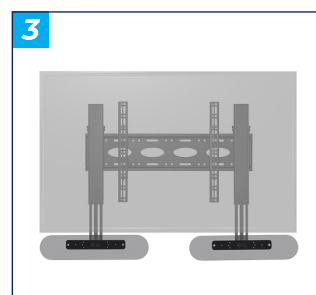
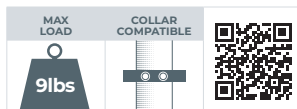
SPECIFICATIONS

Max load	9lbs
Dimensions	W: 9.84" x H: 1.57"
Steel thickness	0.19"

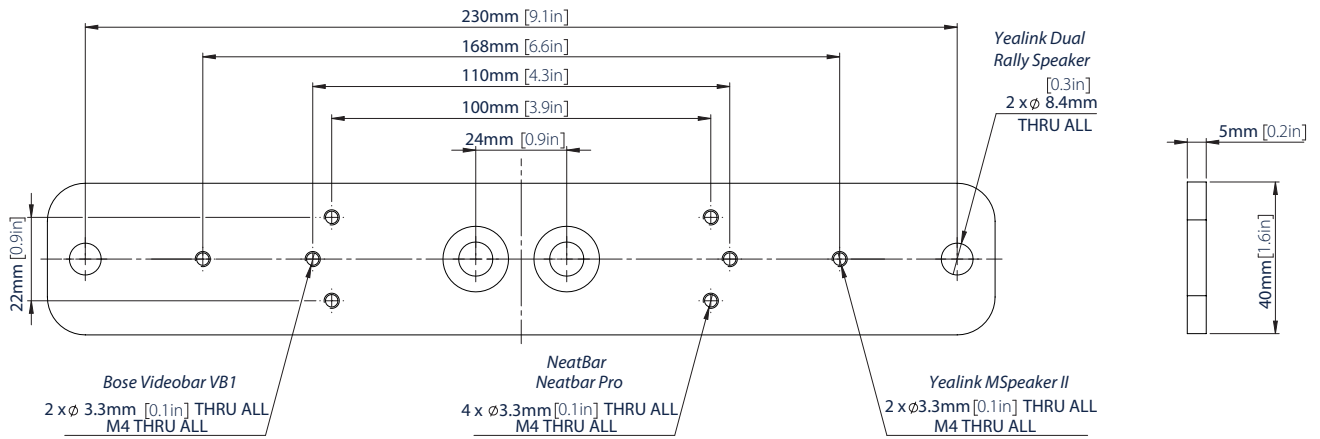
FEATURES

- 1 Designed to mount a variety of video bars onto B-Tech stands and trolleys
- 2 Mounts directly to a BT8380 / BT8381 Column
- 3 Can mount Logitech Rally Plus dual speakers using 2x BT7877
- 4 Compatible with BT7052 / BT7841 Collars for use with Ø2" Poles
 - Can use BT8390-SA to mount above or below any screen on a System X Rail
 - Uses BT7034 for mounting above / below B-Tech Media Storage Mounts
 - Use with BT7031 to mount above / below B-Tech Flat Screen Wall Mounts
 - Simple installation
 - All mounting hardware included

Suitable for a variety of major brands, including:

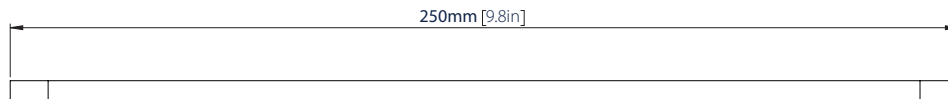


BT7877



FRONT VIEW

SIDE VIEW



TOP VIEW

ORDERING INFORMATION

COLOR	ORDER REF	UPC
Black	BT7877/B	811867031669

RELATED PRODUCTS

PRODUCT CODE	NAME	DESCRIPTION
BT7031	Accessory Mounting Arm	Allows mounted accessories to be positioned above or below a B-Tech wall mount
BT8390-SA	Accessory Mounting Arm	Allows mounted accessories to be positioned above or below a System X rail
BT8380/81/85	B-Tech Columns	For a fixed, freestanding or mobile applications
BT7875	Video Bar Mounting Plate	For Yealink UVC40 / A20 / MeetingEye 400, Logitech Meet Up & Poly Studio X30 & more

© 2024 B-Tech AV Mounts Corporation Ltd. All rights reserved.
The information in this specification is subject to change without notice. B-Tech AV Mounts and the B-Tech logo are registered trademarks of B-Tech AV Mounts Co. Ltd.
B-Tech AV Mounts Co. Ltd. is not responsible for any damage caused by improper installation or mounting on unstable structures. Any reproduction or use without permission or registration of any part of this specification shall be strictly prohibited unless prior written permission is granted by B-Tech AV Mounts Corporation Ltd. B-Tech.

SS-V7-BT7877-160424-NA