

WALL  
MOUNTS A  
DESK MOUNT  
ARM

# AWL75-450BL

## WALL ADAPTER FOR DS70-450BL1 & DS75-450BL2

The AWL75-450BL is an adapter designed to wall mount either the single screen DS70-450BL1 or twin screen DS75-450BL2 desk mount. Wall mounting is an ideal, space saving solution when desk installation is not possible or desired. The wall bracket maintains the full motion functions of the monitor arm whilst mounted to the wall.

### SPECIFICATION

Dimensions	H.8.27" W.3.35" D.2.95"
Color	Black

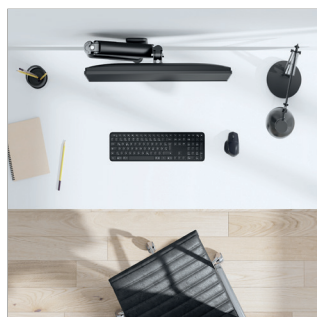
### FEATURES

- Simple installation with all fixings included
- Use with:
  - DS70-450BL1** Full Motion Desk Mount Arm to mount a screen up to 42"
  - DS75-450BL2** Full Motion Dual Desk Mount Arms to mount two screens up to 32"

*Note: Max weight and screen sizes depend on the desk mount being used*



Space saving low profile wall adapter with all fixings included



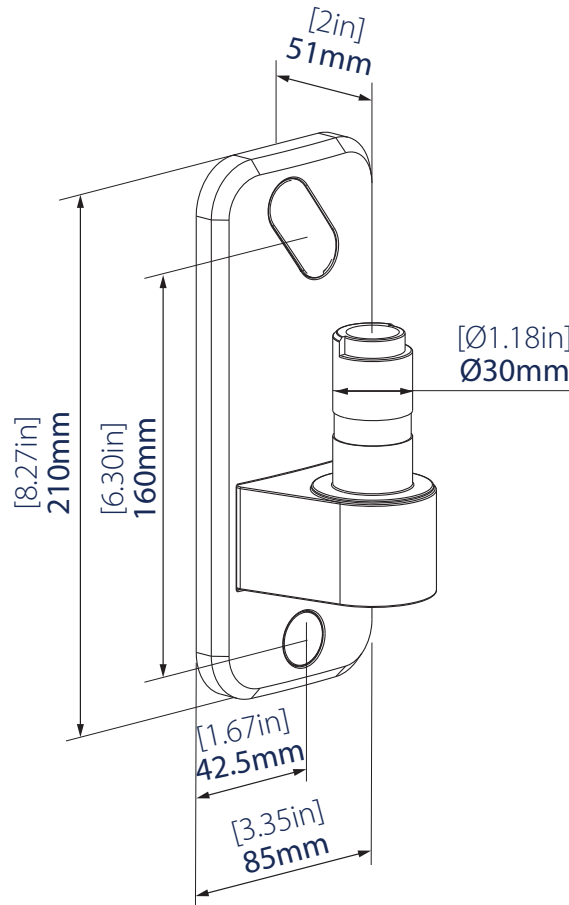
Ideal solution for when the desk mount cannot clamp to the desktop



Adapter maintains the arms full motion functions for easy screen positioning



Use with either a DS70-450BL1 or DS75-450BL2 desk mount



**PACKING INFORMATION**

COLOR:	ORDER REF:	UPC CODE:
Black	AWL75-450BL1	811867031584

**ACCESSORIES & RELATED PRODUCTS**



**Full Motion Desk Mount** designed for screens up to 42"

**Full Motion Dual Desk Mount** designed for two 32" screens

**Full Motion Triple Desk Mount** designed for three 27" screens

**Full Motion Desk Mount** designed for screens up to 49"

© 2015 B-Tech Av Mounts, Inc. All rights reserved. The information in this document is subject to change without notice. B-Tech Av Mounts, Inc. and B-Tech are registered trademarks of B-Tech International Ltd. We warrant the product to be free from defects in materials and workmanship under normal use. B-Tech Av Mounts, Inc. is not responsible for any damage caused by misuse or modification of the product. Any reproduction or transmission of any part of this specification is strictly prohibited unless prior written permission has been granted by B-Tech International Ltd. (BTL)

SS-AWL75-450BL1-V1-310523-US