

BT8226

DOUBLE ARM FLAT SCREEN WALL MOUNT WITH TILT & SWIVEL

Designed to mount medium to large sized screens, this universal double arm wall mount features an easy to tilt interface and three swivel points, for a quick, smooth repositioning of the screen - whether folded flat to the wall (at a depth of just 50mm) or at maximum extension. Cover plates and integrated cable management help hide all fixings for a neat and tidy mounting solution, ideal for both commercial and home installations.



SPECIFICATIONS

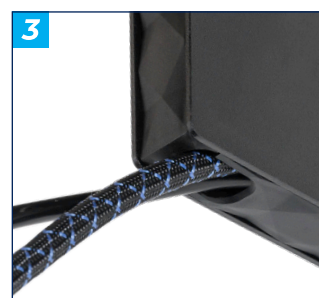
Recommended screen size	32" up to 65"
Max load	35kg
VESA® compatibility	up to 600 x 400mm
Tilt	+14° /-3°
Swivel	180° at wall & interface, 360° at central pivot
Distance from wall	Min: 50mm Max: 574mm
Colour	Black

FEATURES

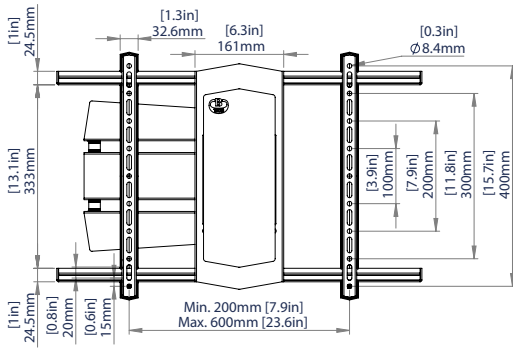
- 1 Attractive cover plates included to hide fixings
 - 2 Lateral adjustment of screen once mounted
 - 3 Integrated cable management
 - 4 Screen levelling of up to 3° in either direction
- Easy tilt and swivel adjustments
 - Slim-line design allows close to the wall installation when folded flat
 - Features three swivel points; ideal for corner mounting
 - Tool-less tilt with option to lock in position
 - Keyhole mounting and drilling template for a quick and easy installation
 - Safety screws help prevent unauthorised removal of screens
 - Simple 'hook-on' installation with all mounting hardware included



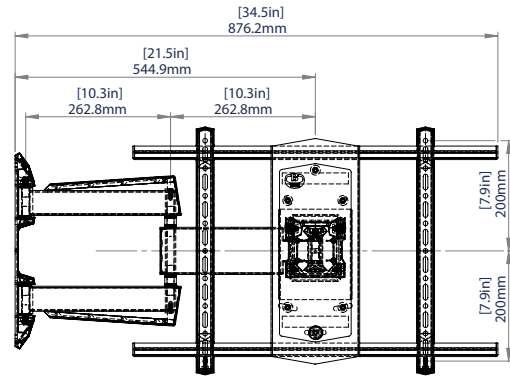
RECOMMENDED MAX SCREEN	MAX LOAD	MAX VESA	POST INSTALL ALIGNMENT	COLLAR COMPATIBLE	TILT	SWIVEL	QR CODE
65" / 165cm	35kg	600 x 400	← →	⊕ ⊖	3° / 14°	↺ ↻	



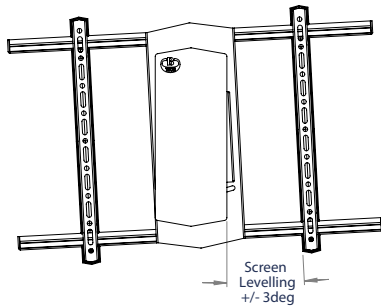
BT8226



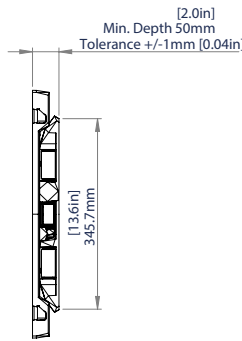
FRONT VIEW



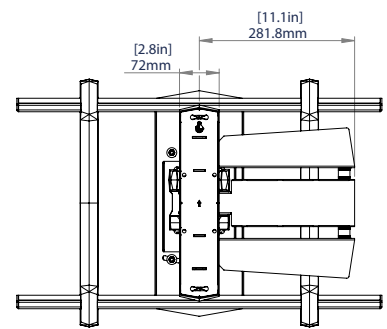
FRONT VIEW WITH ARM EXTENDED TO SIDE



FRONT VIEW



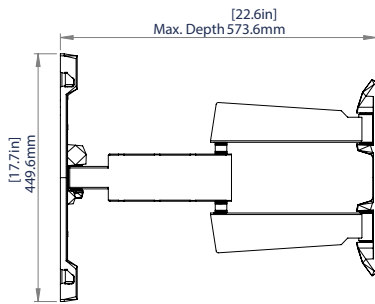
SIDE VIEW - FLAT TO WALL



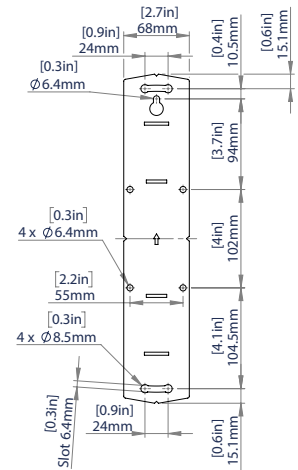
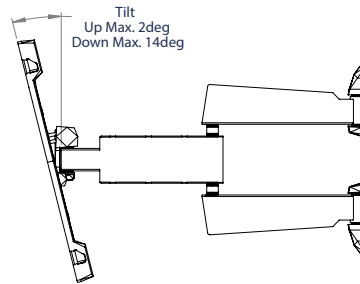
REAR VIEW



TOP VIEW - FLAT TO WALL



SIDE VIEW MAXIMUM EXTENSION



WALL PLATE

ORDERING INFORMATION

COLOUR	ORDER REF	EAN
Black	BT8226/B	5019318306006

RELATED PRODUCTS

PRODUCT CODE	NAME	DESCRIPTION
BT8432	Flat Screen Wall Mount with Tilt	Designed for screens up to 80"
BTV513	Double Arm Wall Mount	Features easy tilt and swivel, ideal for screens up to 55"
BT9903	XL Heavy Duty Flat Screen Wall Mount	Designed for screens up to 100"
BT8228	Heavy-Duty Double Arm Wall Mount	Features easy tilt and swivel, ideal for screens up to 120"

© 2016 B-Tech AV Mounts Co., Ltd. All rights reserved. The information in this specification sheet reflects the current technical specifications at the time of printing. We reserve the right to change the technical or physical specifications without prior notice. The B-Tech name and the B-Tech logo are registered trademarks of B-Tech AV Mounts Co., Ltd. B-Tech is not responsible for loss or damage caused by improper installation or mounting on unstable structures. Any reproduction or reuse of information or registration of any part of this specification sheet is strictly prohibited unless prior written permission is granted by B-Tech AV Mounts Co., Ltd. BT8226-240124