

# SMART Board® MX series with iQ

SBID-MX255-V2-C  
 SBID-MX265-V2-C  
 SBID-MX275-V2-C  
 SBID-MX286-V2-C



## Display

<b>Screen sizes (diagonal)</b>	55", 65", 75", 86"
<b>Backlight</b>	LED
<b>Aspect ratio</b>	16:9
<b>Maximum display resolution</b>	4K UHD (3840 × 2160)
<b>Refresh rate</b>	60 Hz
<b>Lifespan</b>	≥ 50,000 hours
<b>Brightness (maximum)</b>	55": ≥ 300 cd/m <sup>2</sup> 65", 75", 86": ≥ 400 cd/m <sup>2</sup>
<b>Response time</b>	≤ 8 ms
<b>Viewing angle</b>	178°
<b>Glass</b>	Fully heat-tempered anti-glare glass that resists smudges and fingerprints
<b>Glass thickness</b>	4 mm
<b>Frame color</b>	White
<b>Convenience buttons</b>	Power, home, volume, input select, screen shade, freeze frame
<b>Sensors</b>	Ambient light, infrared
<b>Audio</b>	2 integrated 15 W speakers

## Interactive experience

<b>Touch technology</b>	HyPr Touch™ with Advanced IR
<b>Touch features</b>	Simultaneous Tool Differentiation™ Object Awareness™ Silktouch™
<b>Frame rate</b>	100 Hz
<b>Accuracy</b>	±1 mm (over 90% area)
<b>Minimum object size</b>	3 mm
<b>Multitouch capabilities</b>	20 – Windows® and Mac 10 – Chrome OS™
<b>Tools included</b>	Pens (x2)
<b>Tool holders</b>	Magnetic, frame-mounted

## Software

<b>iQ built-in Android™ experience</b>	Included
<b>SMART Notebook® basic</b>	Included
<b>SMART Ink® and SMART Product Drivers</b>	Included
<b>SMART Remote Management</b>	Subscription for length of the included warranty
<b>SMART Learning Suite</b>	Bonus 1-year subscription

[smarttech.com](http://smarttech.com)  
[smarttech.com/contact](http://smarttech.com/contact)

© 2022 SMART Technologies ULC. All rights reserved. SMART Board, SMART Notebook, SMART Ink, HyPr Touch, Simultaneous Tool Differentiation, Object Awareness, Silktouch, smarttech, the SMART logo and all SMART taglines are trademarks or registered trademarks of SMART Technologies ULC in the U.S. and/or other countries. The Adopted Trademarks HDMI, HDMI High-Definition Multimedia Interface, and the HDMI Logo are trademarks or registered trademarks of HDMI Licensing Administrator, Inc. in the United States and other countries. All other third-party product and company names may be trademarks of their respective owners. This product and/or use thereof is covered by one or more of the following U.S. patents: [www.smarttech.com/patents](http://www.smarttech.com/patents). Contents are subject to change without notice. February 3, 2022.

**iQ built-in Android experience**

<b>Operating system</b>	Android version 8.0
<b>Memory</b>	4 GB DDR
<b>Storage</b>	32 GB
<b>Digital whiteboard</b>	✓
<b>Web browser</b>	✓
<b>Screen sharing</b>	✓
<b>Other features</b>	SMART Whiteboard Personalized home screen and settings Live input preview Interactive widgets Templates, graphic organizers, and manipulatives File and app libraries Google Drive™ and OneDrive™ access
<b>Object Awareness supported</b>	✓
<b>Ability to run third-party applications</b>	✓
<b>Cloud storage access</b>	✓
<b>Languages supported</b>	Chinese (simplified), Chinese (traditional), Czech, Danish, Dutch, English, Estonian, Finnish, French, German, Greek, Hungarian, Italian, Japanese, Korean, Latvian, Lithuanian, Norwegian, Polish, Portuguese, Romanian, Russian, Slovak, Slovenian, Spanish, Swedish, Ukrainian, Vietnamese, Welsh
<b>Updates</b>	Automatic over-the-air (OTA)

**PC computing**

<b>OPS support</b>	✓
<b>OPS-C support</b>	✓
<b>PC module power supported OPS</b>	60 W
<b>Optional computing modules</b>	SMART OPS PC with Windows 10 Pro SMART Chromebox

<b>Inputs</b>	<b>Front</b>	<b>Back</b>
OPS PC accessory slot (60 W devices)	–	1
HDMI® 2.0 with HDCP 1.4 and HDCP 2.2 support	1	2
VGA video	–	1
Stereo 3.5 mm	–	1
RS-232 room control (DB-9 connector)	–	1
RJ45 Ethernet (passthrough)	–	2
USB Type-C 4K @ 60Hz Display Port alternate mode, touch, and digital audio; 15 W power delivery	1	–
USB 2.0 Type-A	2	1
USB 3.0 Type-A	–	1
USB 3.0 Type-B	1	3

<b>Outputs</b>	<b>Front</b>	<b>Back</b>
HDMI 2.0 with HDCP 2.2 support	–	1
Stereo 3.5 mm (variable)	–	1
Audio S/PDIF (fixed)	–	1
RS-232 room control (DB-9 connector)	–	1

<b>Included cables and accessories</b>	<b>Qty</b>
Country-specific power cable	1
16' 5" (5 m) USB cable	1
Pens	2
External dual-band 2.4 and 5 GHz antennae	2
Remote control	1
AAA batteries	2
Wall mount bracket kit	1
Illustrated installation instructions	1
Important information document	1

### Connectivity

<b>Wired</b>	RJ45 (x2) 100baseT
<b>Wi-Fi</b>	IEEE 802.11 a/b/g/n/ac with 2 x 2 MIMO (both 2.4 and 5 GHz bands) supporting WEP, WPA, WPA2 PSK, and 802.1X EAP authentication protocols
<b>Bluetooth</b>	4.2 dual mode

### Storage and operating requirements

<b>Power requirements</b>	100V to 240V AC, 50 Hz to 60 Hz
<b>Operating temperature</b>	5–35°C
<b>Storage temperature</b>	-20–60°C
<b>Humidity</b>	5–80% relative humidity, non-condensing

### Power consumption

<b>Typical</b>	55": 98 W
	65": 119 W
	75": 151 W
	86": 167 W
<b>Standby</b>	< 0.5 W

### Certification and compliance<sup>1</sup>

<b>US / Canada</b>	UL, FCC, ISED, TSCA, CONEG Packaging, Proposition 65
<b>EU / EEA / EFTA / UK</b>	CE, UKCA, LVD, CB, EMCD, RED, REACH, RoHS, Battery, WEEE, Packaging, POP, Ecodesign
<b>Australia / New Zealand</b>	RCM
<b>Performance standards</b>	ENERGY STAR®, HDMI

### Purchasing information

<b>Order number:</b> <b>SBID-MX255-V2-C</b>	SMART Board MX055-V2-C interactive display with iQ and SMART Learning Suite
<b>Order number:</b> <b>SBID-MX265-V2-C</b>	SMART Board MX065-V2-C interactive display with iQ and SMART Learning Suite
<b>Order number:</b> <b>SBID-MX275-V2-C</b>	SMART Board MX075-V2-C interactive display with iQ and SMART Learning Suite
<b>Order number:</b> <b>SBID-MX286-V2-C</b>	SMART Board MX086-V2-C interactive display with iQ and SMART Learning Suite
<b>Optional accessories</b>	See <a href="http://smarttech.com/accessories">smarttech.com/accessories</a>

### Warranty

<b>SMART Assure warranty</b>	Includes advanced hardware replacement and access to onsite support. Terms and conditions vary by region. Contact your local reseller or distributor for information and visit <a href="http://smarttech.com/warranty">smarttech.com/warranty</a> .
------------------------------	---

### Cable requirements

<b>HDMI</b>	Certified premium high speed HDMI (18 Gbps) Maximum length: 7 m
<b>USB 2.0</b>	USB 2.0 certified Hi-Speed (480 Mbps) support Maximum length: 5 m
<b>USB 3.0</b>	USB 3.0 certified SuperSpeed (5 Gbps) support Maximum length: 3 m
<b>USB Type-C</b>	USB 3.2 Gen 1 certified SuperSpeed (5 Gbps) support Maximum length: 2 m
<b>More information</b>	See <a href="http://smarttech.com/kb/171555">smarttech.com/kb/171555</a>

<sup>1</sup>Product availability may vary by region.  
This product has received additional certifications not listed here.

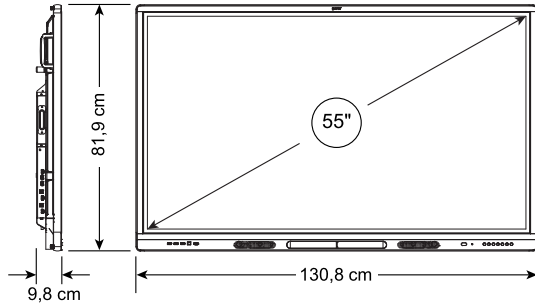
## Installation, dimensions, and weights

### Notes

- All dimensions  $\pm 0.3$  cm. All weights  $\pm 0.9$  kg.
- Product ships upright.

### SBID-MX255-V2-C

#### Dimensions



#### Weight

34.4 kg

#### Shipping dimensions (including pallet)

142.3 cm  $\times$  90.4 cm  $\times$  23.5 cm

#### Shipping weight

51.1 kg

#### VESA mount

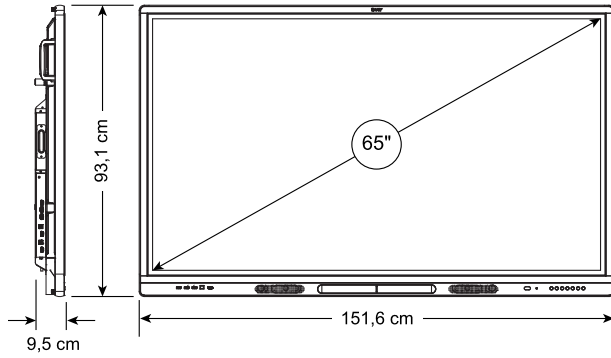
M8, 400  $\times$  400 mm

#### Handles

2

### SBID-MX265-V2-C

#### Dimensions



#### Weight

46.1 kg

#### Shipping dimensions (including pallet)

168.5 cm  $\times$  116.2 cm  $\times$  26 cm

#### Shipping weight

62 kg

#### VESA mount

M8, 600  $\times$  400 mm

#### Handles

2

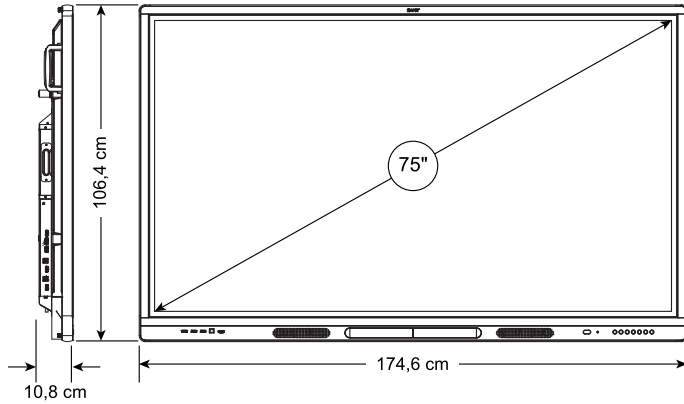
### Installation, dimensions, and weights (continued)

#### Notes

- All dimensions  $\pm 0.3$  cm. All weights  $\pm 0.9$  kg.
- Product ships upright.

#### SBID-MX275-V2-C

##### Dimensions



##### Weight

64.3 kg

##### Shipping dimensions (including pallet)

190.5 cm  $\times$  127.7 cm  $\times$  29.5 cm

##### Shipping weight

87 kg

##### VESA mount

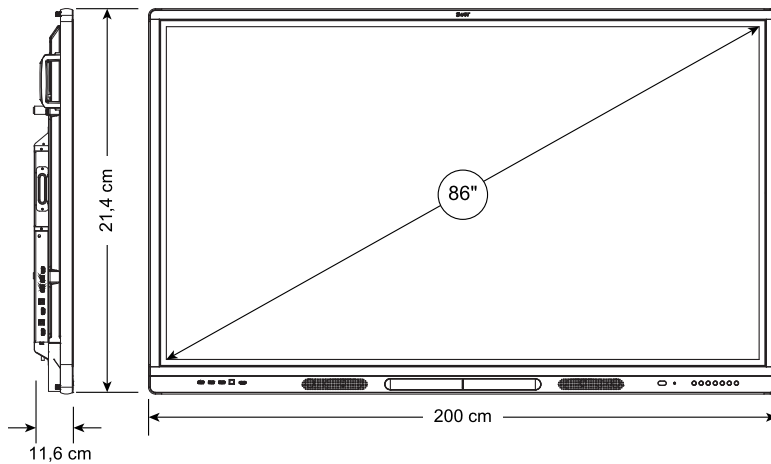
M8, 600  $\times$  400 mm

##### Handles

2

#### SBID-MX286-V2-C

##### Dimensions



##### Weight

78.3 kg

##### Shipping dimensions (including pallet)

216.5 cm  $\times$  145.7 cm  $\times$  29.5 cm

##### Shipping weight

109 kg

##### VESA mount

M8, 700  $\times$  400 mm

##### Handles

2