

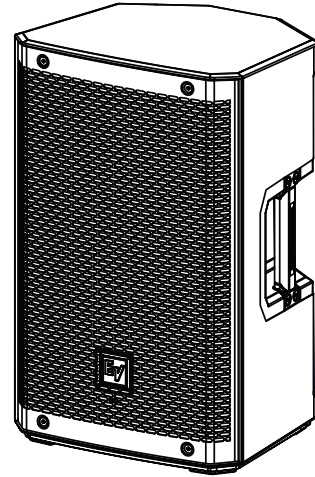
ZLX-8-G2 8" 2-way passive speaker

ZLX



Electro-Voice

- Includes 55-degree monitor angle plus 23-degree kickback angle.
- Recommended to use with Dynacord DSP power amplifiers.
- SONICUE integration - optimized speaker settings for best performance.
- Connections easily accessible even in monitor position.



ZLX-G2 loudspeakers are offered in 8, 12, and 15-inch woofer sizes.

Building on the tried and tested ZLX series, ZLX-G2 loudspeakers feature an improved angled cabinet design allowing for a 55-degree monitor angle. 12 and 15-inch models additionally include a “kickback” 25-degree monitor angle.

ZLX-G2 loudspeakers offer the best-in-class acoustic output. Electro-Voice patented SST baffle design ensures improved bass, small size, and even coverage across all frequencies.

ZLX-8-G2 uses industry standard NL4 connections. The two NL4 connectors are in parallel and pass through all pins.

For optimal acoustics and performance, ZLX-8-G2 is recommended to be used with a Dynacord DSP power amplifier programmed with the appropriate speaker settings included in the ZLX-G2 Database for SONICUE. ZLX-G2 family accessories such as padded covers, a U-bracket for wall mounting 12- and 15-inch models, and short and long wall mount brackets for use with the speaker pole mounts are available.

Parts included

Make sure that all parts are included and not damaged. If the packaging or any parts are damaged, contact your shipper. If any parts are missing, contact your Sales or Customer Service Representative.

Quantity	Component
1	Loudspeaker
1	Power cord
2	Safety and security information

Quantity	Component
1	Quick user guide

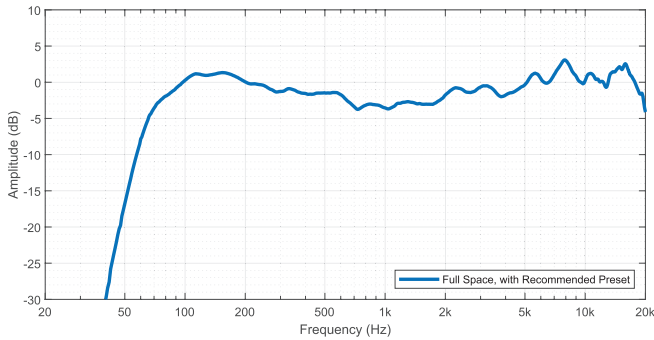
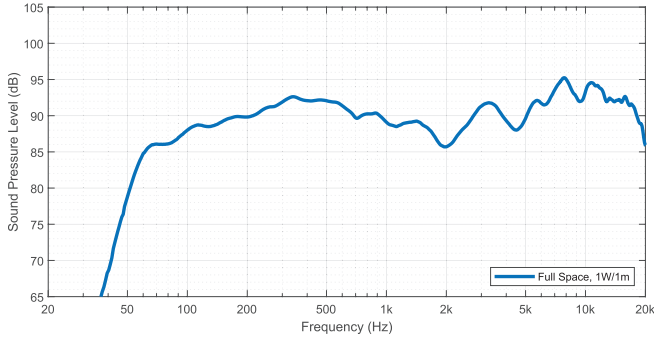
Technical specifications

Frequency response (-3 dB) (Hz) ¹	67 Hz – 20,000 Hz
Frequency range (-10 dB) (Hz) ¹	55 Hz – 20,000 Hz
Axial sensitivity (dB SPL 1W/1m)	90 dBspl 1W/1m
Maximum sound pressure level at a distance of 1 m (dB) ¹	127 dB
High pass frequency (Hz)	60 Hz
Crossover frequency (kHz)	2 kHz
Coverage angle HxV (°)	90° x 60°
Power handling (continuous) (W)	250 W
Power handling (peak) (W)	1,000 W
Nominal impedance (Ω)	8 Ω
LF transducer	WECA2088
LF transducer size (in)	8 in
LF transducer magnet material	Ferrite
HF transducer	DH-1K
HF transducer type	Compression driver
HF transducer size (in)	1.5 in
HF transducer diaphragm material	Titanium
Dimensions (H x W x D) (mm)	459.6 mm x 289.9 mm x 280.5 mm
Dimensions (H x W x D) (in)	18.09 in x 11.41 in x 11.04 in
Shipping dimensions (H x W x D) (mm)	500 mm x 390 mm x 350 mm

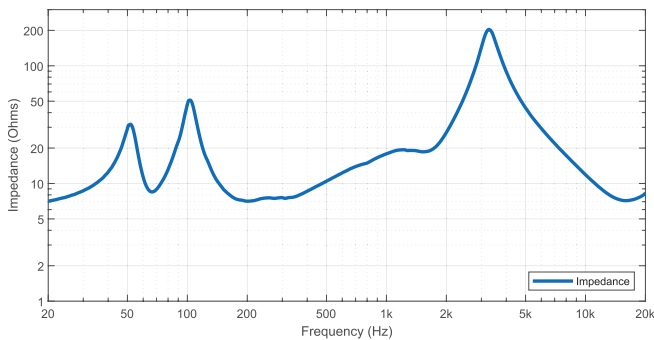
Shipping dimensions (H x W x D) (in)	19.69 in x 15.35 in x 13.78 in
Weight (kg)	10.64 kg
Weight (lb)	23.46 lb
Shipping weight (kg)	11.92 kg
Shipping weight (lb)	26.28 lb

1) With recommended preset

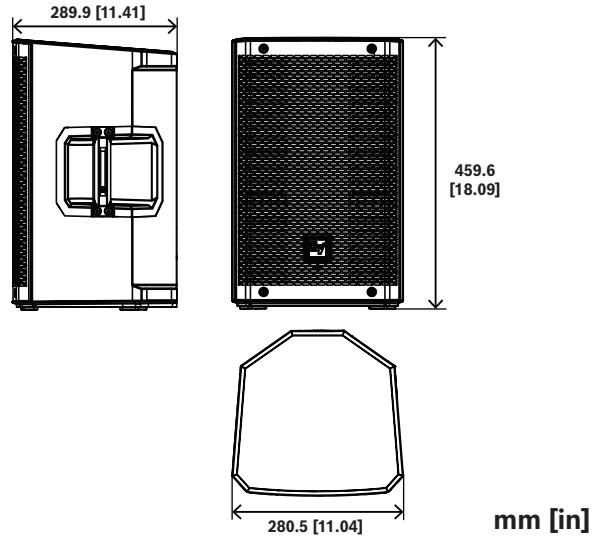
Frequency response:



Impedance:



Dimensions:



Ordering information

ZLX-8-G2 8" 2-way passive speaker
 Passive 8-inch 2-way loudspeaker, black
 Order number **ZLX-8-G2 | F.01U.385.530**

Accessories

ZLX-8-G2-CVR Padded cover for ZLX-8, 8P G2
 Padded cover for 8-inch ZLX-G2 loudspeaker models, EV logo, black
 Order number **ZLX-8-G2-CVR | F.01U.385.533**

BRKT-POLE-S Wall mount bracket 8",10" 2-way speaker
 Pole mount bracket for 8-, 10- and some 12-inch loudspeakers, black
 Order number **BRKT-POLE-S | F.01U.385.536**

BRKT-POLE-L Wall mount bracket 12",15" 2-way speaker
 Pole mount bracket for loudspeakers up to 15 inches, black
 Order number **BRKT-POLE-L | F.01U.385.537**

Represented by:

Germany:
 Bosch Sicherheitssysteme GmbH
 Robert-Bosch-Ring 5
 85630 Grasbrunn
 Germany
 www.electrovoice.com

Bosch Security Systems, LLC
 12000 Portland Avenue South
 Burnsville MN 55337
 USA