



STAND
 HEIGHT
 40CM

BT604

ATLAS™ SPEAKER STANDS

40CM (PAIR)

Supplied in pairs these Atlas floor stands are designed for speakers up to 50kg. Mounting the speakers at a height of 40cm, the BT604 is easy to assemble and the columns can be filled with sand for sound dampening. Stable on any flooring, the stands are supplied with sound isolating spikes and floor discs to protect wooden/tiled floors, alternative foam pads are also included.

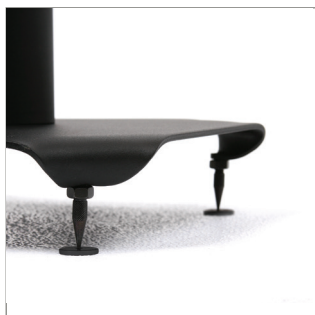
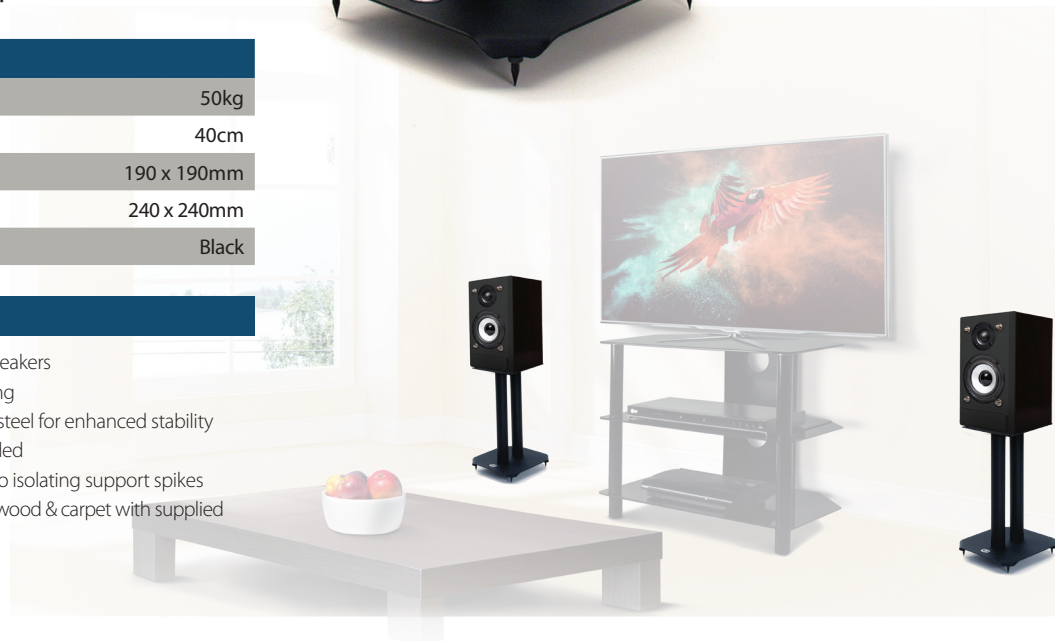


SPECIFICATION

Max load	50kg
Stand height	40cm
Top plate dimensions	190 x 190mm
Base plate dimensions	240 x 240mm
Colour	Black

FEATURES

- Twin columned floor stands for loudspeakers
- Fillable columns for superior dampening
- Solid construction using heavy gauge steel for enhanced stability
- Top and bottom isolation spikes provided
- Foam pads included as an alternative to isolating support spikes
- Suitable for all types of floors including wood & carpet with supplied protection discs
- Supplied in pairs



Bottom isolation spikes supplied with floor protection discs



Supplied with isolation spikes and alternative foam pads



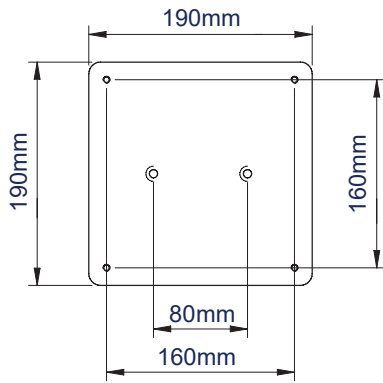
Use dry sand to fill columns for superior dampening



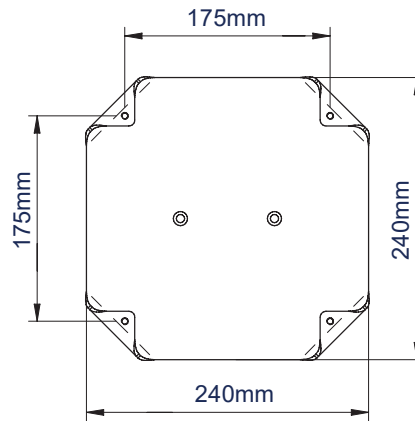
Supplied in retail packaging - ideal for the consumer market



FRONT VIEW



TOP PLATE



BASE PLATE

PACKING INFORMATION

ORIGINAL DESIGNS BY B-TECH AV MOUNTS - REGISTERED DESIGNS & PATENTS APPLY

COLOUR:	ORDER REF:	EAN CODE:	MASTER CARTON QTY:	INNER CARTON QTY:	MASTER CARTON WEIGHT:	MASTER CARTON CUBE:
Black	BT604/B	5019318036040	2	N/A	13.77kg	0.27cbm

RELATED PRODUCTS



Atlas Speaker Stands Height 60cm



Atlas Speaker Stands Height 80cm



Side Clamping Speaker Wall Mounts for speakers up to 25kg



Home Cinema Speaker Floor Stands For speakers up to 2kg

© 2016 B-Tech Consumer Products (UK) Limited. All rights reserved.
 The information in this specification is for reference only. It is not intended to be used as a substitute for the manufacturer's instructions. B-Tech reserves the right to change the technical specifications without notice. This is not intended to be used as a substitute for the manufacturer's instructions. B-Tech accepts no liability for loss or damage caused by improper or incorrect use of the product. Any reproduction or transmission or replication of any part of this specification is expressly prohibited unless prior written permission has been granted by B-Tech Consumer Products (UK) Limited.

SS-V2-BT604-310719