



STAND
 HEIGHT
 80CM

BT608

ATLAS™

SPEAKER STANDS

80CM (PAIR)

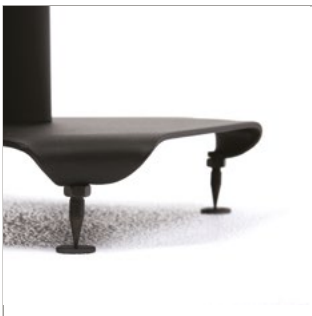
Supplied in pairs, these Atlas floor stands are designed to mount speakers up to 15kg (including Sonos® One and PLAY:1 speakers). Mounting the speakers at a height of 80cm, the BT608 is easy to assemble and the columns can be filled with sand for sound dampening. Stable on any flooring, the stands are supplied with sound isolating spikes and floor discs to protect wooden/tiled floors, alternative foam pads are also included.

SPECIFICATION

Max load	15kg
Stand height	80cm
Top plate dimensions	125 x 125mm
Base plate dimensions	240 x 240mm
Colour	Black

FEATURES

- Twin columned floor stands for loudspeakers
- Fillable columns for superior dampening
- Solid construction using heavy gauge steel for enhanced stability
- Top and bottom isolation spikes provided
- Foam pads included as an alternative to isolating support spikes
- Suitable for all types of floors including wood & carpet with supplied protection discs
- Compatible with SONOS® Play:1
- Supplied in pairs



Bottom isolation spikes supplied with floor protection discs



Supplied with isolation spikes and alternative foam pads

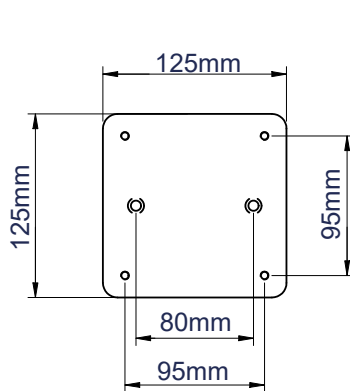
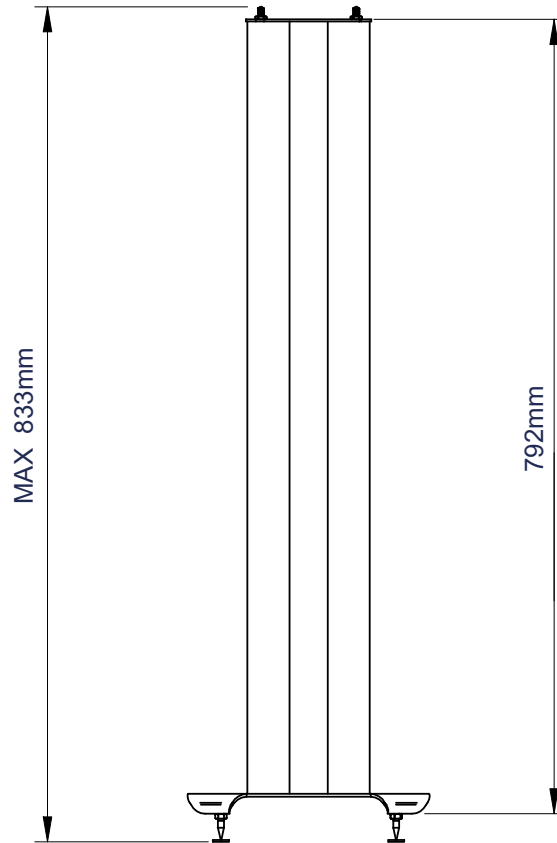


Use dry sand to fill columns for superior dampening

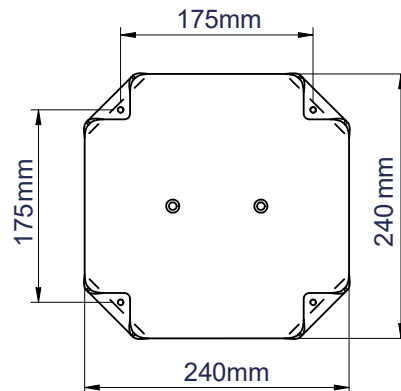


Supplied in retail packaging - ideal for the consumer market





TOP PLATE



BASE PLATE

PACKING INFORMATION

COLOUR:	ORDER REF:	EAN CODE:	MASTER CARTON QTY:	INNER CARTON QTY:	MASTER CARTON WEIGHT:	MASTER CARTON CUBE:
Black	BT608/B	5019318036088	2	N/A	17.43kg	0.43cbm

RELATED PRODUCTS



Atlas Speaker Stands Height 40cm



Atlas Speaker Stands Height 60cm



Side Clamping Speaker Wall Mounts for speakers up to 25kg



Home Cinema Speaker Floor Stands For speakers up to 2kg

© 2019 B-Tech Consumer Products Ltd. All rights reserved. The information in this specification is for reference only. B-Tech Consumer Products Ltd. is not responsible for any damage or loss of data caused by the use of this product. B-Tech Consumer Products Ltd. is not responsible for any damage or loss of data caused by the use of this product. B-Tech Consumer Products Ltd. is not responsible for any damage or loss of data caused by the use of this product.

SS-V2-BT608-010819