

BT7052

Ø2" ACCESSORY COLLAR

The BT7052 Ø2" Accessory Collar is a core component of the 'System 2' range and is designed to attach a variety of different mounts and accessories onto B-Tech poles. Finished installations look neat and tidy thanks to plastic cover plates which are included as standard.

SPECIFICATIONS

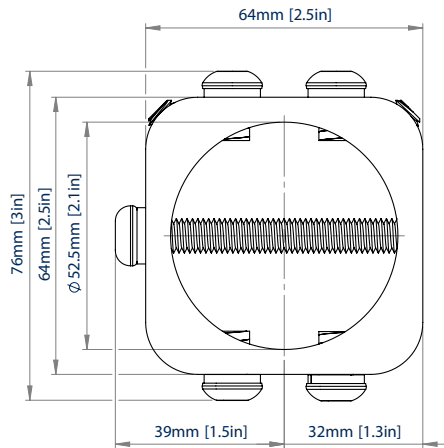
Compatible pole diameter	Ø2"
Collare supplier per pack	1
Color options	Black

FEATURES

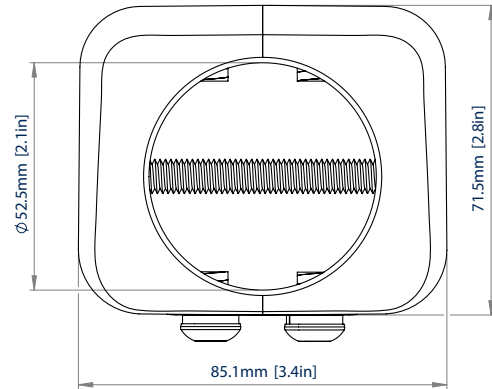
- 1** Fits a wide range of mounts and accessories to Ø2" poles
- 2** A security bolt ensures a secure installation to Ø2" poles
- 3** Cover plates contribute to the smart aesthetic (for single-sided installations)
- 4** Dual fixing points allow back-to-back installations onto a single collar



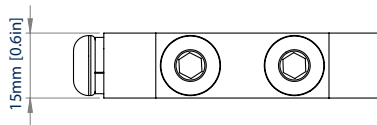
BT7052



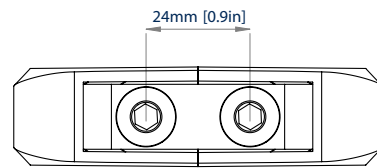
TOP VIEW
WITHOUT COVER PLATE



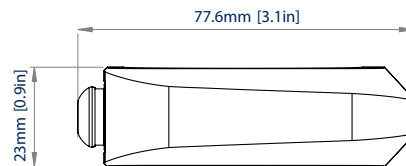
TOP VIEW
WITH COVER PLATE



FRONT VIEW
WITHOUT COVER PLATE



FRONT VIEW
WITH COVER PLATE



SIDE VIEW
WITH COVER PLATE

ORDERING INFORMATION

COLOUR	ORDER REF	UPC
Black	BT7052/B	811867034356

RELATED PRODUCTS

PRODUCT CODE	NAME	DESCRIPTION
BT7841	Ø2" Accessory Collar	Ideal for retro-fitting mounts or accessories to Ø2" Poles
BT7850	Ø2" Poles	Available in a variety of lengths to create multiple pole-mounted solutions
BT7051	Ø2" Heavy Duty Acc. Collar	Ideal for mounts requiring double collar attachments
BT7055	Ceiling Finishing Ring	Escutcheon ring designed to improve the look of a ceiling mounted install

© 2018 B-Tech AV Mounts, Ltd. All rights reserved.
The information in this specification sheet reflects the current technical specifications at the time of printing.
We reserve the right to change the technical or physical specifications without prior notice. This is both a warning and the B-Tech logo are registered trademarks of B-Tech AV Mounts Co. Ltd.
B-Tech is not responsible for loss or damage caused by improper installation or mounting on unstable structures. Any reproduction, use, adaptation or modification of any part of this specification sheet is strictly prohibited unless prior written permission is granted by B-Tech AV Mounts Corporation, Ltd. (B-Tech).

SS-V4-BT7052-100424-NA