

BT7371

DESK MOUNT WITH SWIVEL

The BT7371 is a desk mount with swivel made from durable aluminium with an anodised polished finish. Suitable for use with screens up to 32", the screen can swivel 360° on the pole and has a 360° screen rotation on the interface, making this desk mount perfect for portrait or landscape mounting. The mount can be easily fixed to the rear or side of a desk or through a grommet hole and the cable management clips ensures a neat and tidy installation.



SPECIFICATION

Recommended screen size	up to 32"
Max load	9kg
VESA® compatibility	75 x 75 & 100 x 100
Tilt	+ 65° / - 90°
Swivel at pole	360°
Screen rotation	360°
Colour	Black

FEATURES

- High-end aesthetic quality with a durable powder coated finish
- Easy height adjustment using tool-less locking collar
- Supplied with both a desk clamp and grommet
- Integrated cable management
- Simple 'hook-on' installation with all mounting hardware included



Supplied with a desk clamp that can attach either to the rear / side of a desk or through a grommet hole



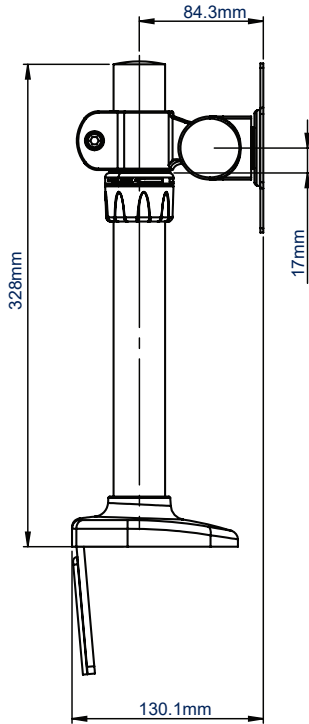
Cable management clip for a neat and tidy installation



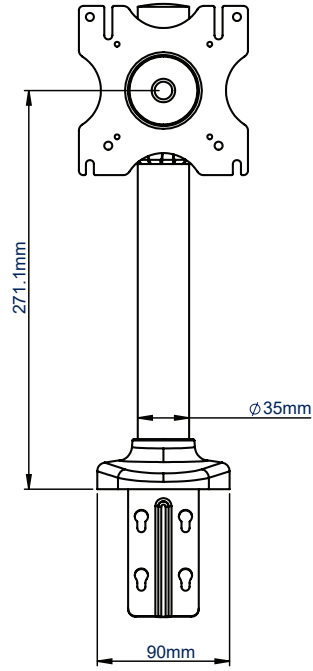
Height adjustment using tool-less locking collar



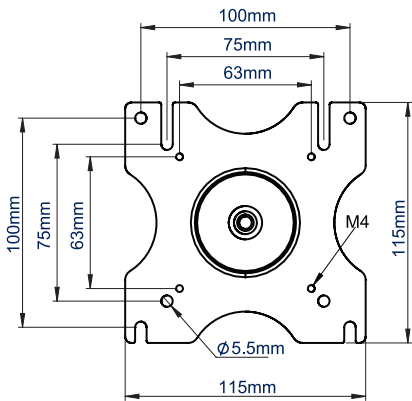
360° screen rotation makes it easy to adjust screens from landscape to portrait



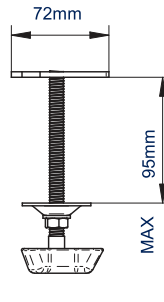
SIDE VIEW



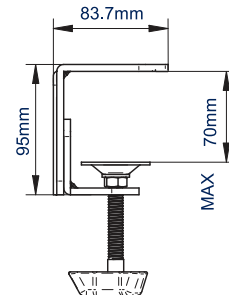
FRONT VIEW



INTERFACE



GROMMET



DESK CLAMP

PACKING INFORMATION

COLOUR:	ORDER REF:	EAN CODE:	MASTER CARTON QTY:	INNER CARTON QTY:	MASTER CARTON WEIGHT:	MASTER CARTON CUBE:
Black	BT7371/B	5019318758850	2	0	6.7kg	0.037cbm

ORIGINAL DESIGNS BY B-TECH AV MOUNTS - REGISTERED DESIGNS & PATENTS APPLY

RELATED PRODUCTS



BT7372
Single Arm Premium Desk Mount
designed for screens up to 28"



BT7373
Double Arm Premium Desk Mount
designed for screens up to 28"



BT7374
Twin Flat Screen Desk Mount with Dual
Articulated Arms for screens up to 28"



BT7382
Single Arm Full Motion Desk Mount
designed for screens up to 28"

© 2022 B-Tech International Design & Manufacturing Ltd. All rights reserved.
The B-Tech logo, B-Tech name and the B-Tech logo are registered trademarks of B-Tech International Design & Manufacturing Ltd.
All other trademarks, trade names, logos, images and symbols are the property of their respective owners. All B-Tech images and symbols are the property of B-Tech International Design & Manufacturing Ltd.
Specifications are subject to change without prior notice. All dimensions are in millimeters unless otherwise stated.
Specifications are subject to change without prior notice. All dimensions are in millimeters unless otherwise stated.

SS-V2-BT7371-250722