

BT7511

FLAT SCREEN WALL MOUNT WITH TILT FOR SCREENS UP TO 28"

Designed to mount small flat screens, the BT7511 features easy tilt adjustment of +17° / -10° and is suitable for screens up to 44lbs; the wall plate features 'OWLS' on the wall leveling system to ensure a perfect installation and comes supplied with security screws to help prevent unauthorized removal of the screen. The BT7511 is also compatible with B-Tech's range of poles and collars, increasing the number of different ways it can be mounted.

SPECIFICATIONS

Recommended screen size	up to 28"
Max load	44lbs
VESA® compatibility	up to 100 x 100
Tilt adjustment	+17° / -10°
Distance from wall	2.16"



FEATURES

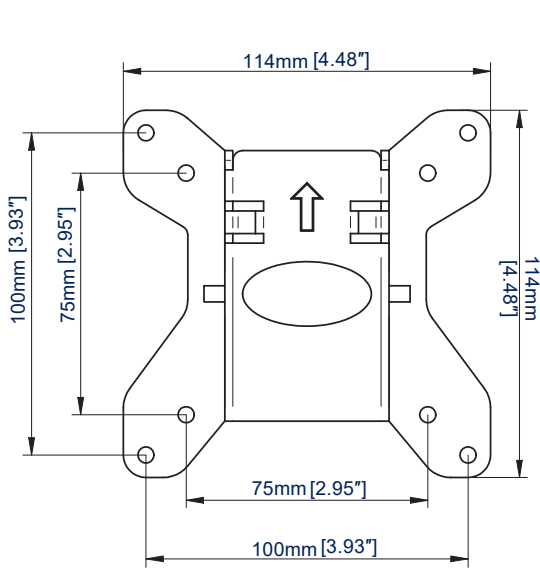
- 1** Easy tilt adjustment
- 2** Features 'OWLS' On Wall Leveling System
- 3** Compatible with B-Tech System 2 & System X component ranges
- 4** Security locking screws & Allen key provided prevent unauthorized removal
- Simple 'hook-on' installation
- All mounting hardware included



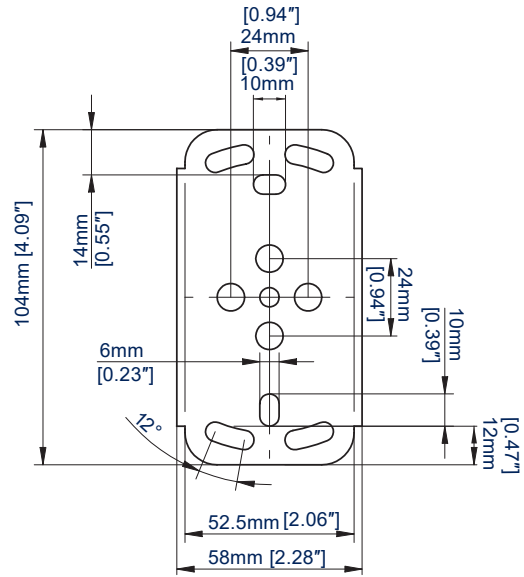
RECOMMENDED MAX SCREEN	MAX LOAD	MAX VESA	COLLAR COMPATIBLE	TILT	COMPATIBLE WITH SYSTEM X	QR CODE
28" 71cm	44lbs	100		10° 17°		



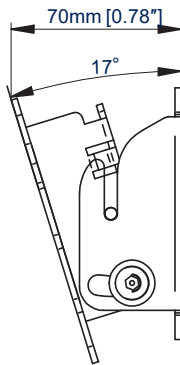
BT7511



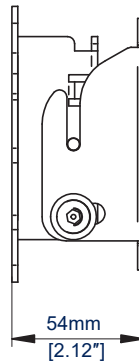
FRONT VIEW



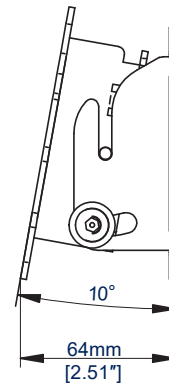
REAR VIEW



**SIDE VIEW
TILTED DOWN**



**SIDE VIEW
WALL PLATE**



**SIDE VIEW
TILTED UP**

ORDERING INFORMATION

COLOR	ORDER REF	UPC
Black	BT7511/B	811867034493

RELATED PRODUCTS

PRODUCT CODE	NAME	DESCRIPTION
BT7518	Flat Screen Wall Mount with Tilt & Swivel	Ideal for screens up to 28", and features both tilt and swivel
BT7841	Accessory Collar	For mounting Ø2" Poles from the ceiling or floor
BT7850	Ø2" Pole	Available in a variety of lengths to create multiple pole-mounted solutions
BT7822	Heavy Duty Floor / Ceiling Mount	Use with B-Tech poles to mount solutions from the floor or ceiling

© 2016 B-Tech AV Mounts Co., Ltd. All rights reserved.
 The information in this specification sheet reflects the current technical specifications at the time of printing.
 We reserve the right to change the technical or physical specifications without prior notice. The B-Tech name and the B-Tech logo are registered trademarks of B-Tech AV Mounts Co., Ltd.
 B-Tech is not responsible for loss or damage caused by improper installation or mounting on unstable structures. Any reproduction or use without permission or registration of any part of this specification shall be strictly prohibited unless prior written permission is granted by B-Tech AV Mounts Co., Ltd.

SS-V5-BT7511-110424-NA