

BT7513

DOUBLE ARM FLAT SCREEN WALL MOUNT WITH TILT & SWIVEL

Designed to mount small flat screens, the BT7513 features a double articulated arm with easy tilt adjustment and a full 360° screen rotation for easy portrait or landscape mounting. The wall plate features on wall leveling system to ensure a straight and smart installation. The BT7513 is also compatible with B-Tech's range of poles and collars, increasing the number of different ways it can be mounted, ideal for commercial applications as well as home installations. Security screws are provided to help prevent unauthorized removal of the screen.



SPECIFICATIONS

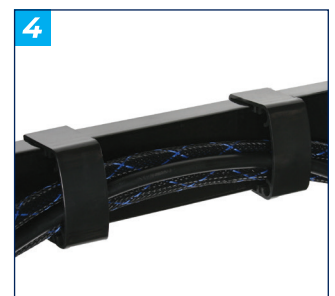
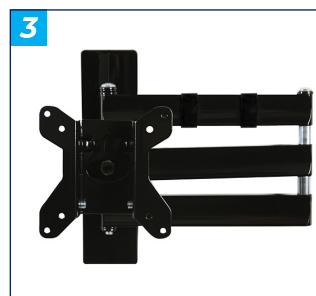
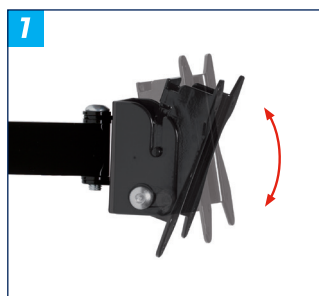
Recommended screen size	up to 28"
Max load	33lbs
VESA® compatibility	75 x 75 & 100 x 100
Tilt	+17 / -10°
Swivel (at wall)	180°
Screen rotation	360°
Distance from wall	3.74" to 18.38"

FEATURES

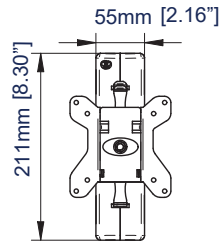
- 1 Three swivel points: 180° at wall, 360° at central pivot and 240° at interface
 - 2 Security locking screws and Allen key provided
 - 3 Space saving design - folds flat to the wall
 - 4 CLIPLOGIC™ cable management included
- Features on wall leveling system
 - Screen rotation allows screen to mounted in landscape or portrait
 - Compatible with B-Tech System 2 professional range
 - Mounts to B-Tech BT7850 poles using 2x BT7841 or BT7052 Collars
 - Simple 'hook-on' installation
 - Coverplates included for a neat and tidy installation
 - All mounting hardware included



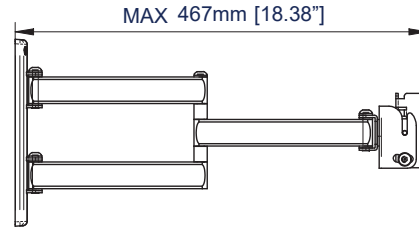
RECOMMENDED MAX SCREEN	MAX LOAD	MAX VESA	COLLAR COMPATIBLE	TILT	SWIVEL	ROTATION	QR CODE
28" 71cm	33lbs	100		10° 17°	180°	360°	



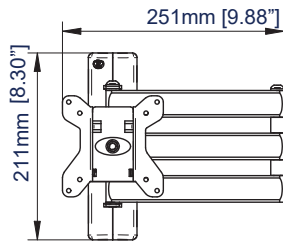
BT7513



FRONT VIEW
MAXIMUM EXTENSION



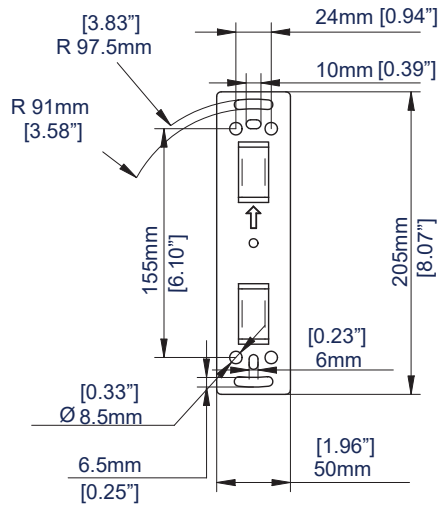
SIDE VIEW
MAXIMUM EXTENSION



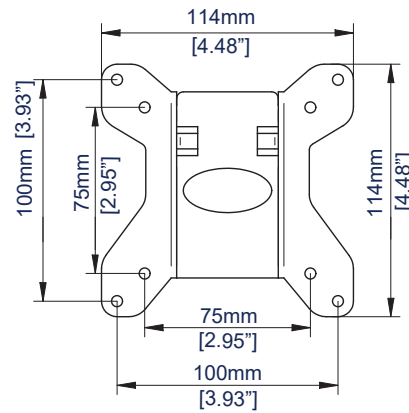
SIDE VIEW
MIN 95mm [3.74\"] depth

FRONT VIEW
FOLDED TO WALL

SIDE VIEW
FOLDED TO WALL



FRONT VIEW
WALL PLATE



FRONT VIEW
INTERFACE PLATE

ORDERING INFORMATION

COLOR	ORDER REF	UPC
Piano Black	BT7513/PB	811867034516

RELATED PRODUCTS

PRODUCT CODE	NAME	DESCRIPTION
BT7512	Single Arm Flat Screen Wall Mount with Tilt & Swivel	Designed for screens up to 28"
BT7514	Single Arm Flat Screen Wall Mount with Tilt & Swivel	Designed for screens up to 47"
BTV5112	Close to Wall Single Arm Flat Screen Wall Mount with Tilt & Swivel	Designed for screens up to 28"
BTV504	Double Arm Flat Screen Wall Mount with Tilt & Swivel	Designed for screens up to 47"

© 2016 B-Tech AV Mounts Company Ltd. All rights reserved.
The information this specification sheet reflects the current technical specifications at the time of printing.
We reserve the right to change the technical or physical specifications without prior notice. This is not intended to be a contract.
B-Tech AV Mounts Company Ltd. is not responsible for any damage caused by improper installation or mounting on unstable structures. Any reproduction or use of information or specification of any part of this specification sheet is strictly prohibited unless prior written permission has been granted by B-Tech AV Mounts Company Ltd. 120616