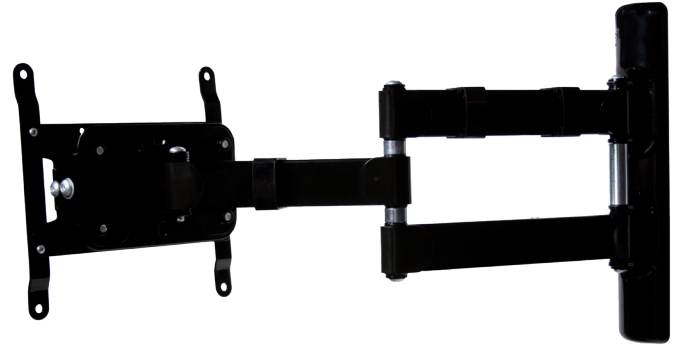


BT7515

DOUBLE ARM WALL MOUNT WITH TILT & SWIVEL FOR SCREENS UP TO 47"

Designed to mount medium-sized flat screens, the BT7515 features a double articulated arm with easy tilt adjustment. The wall plate incorporates the 'OWLS' (On Wall Leveling System) to guarantee a precise and sharp installation. Versatility is a key feature, as the BT7515 is compatible with B-Tech's assortment of poles and collars, expanding the range of mounting options—perfect for both commercial applications and home setups. Security is prioritized with included screws to deter unauthorized removal of the screen.



SPECIFICATIONS

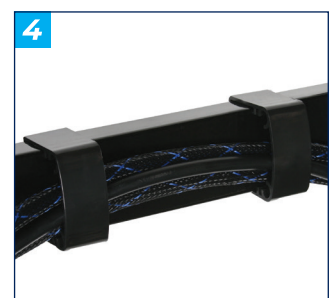
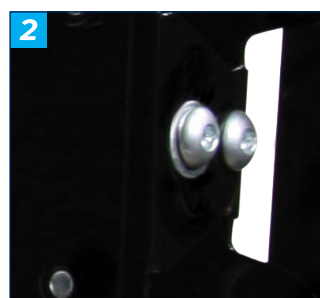
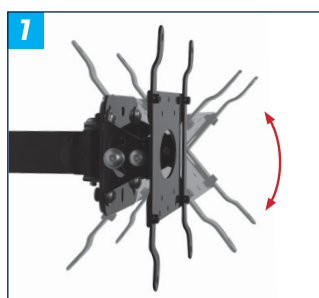
Recommended screen size	up to 47"
Max load	55lbs
VESA® compatibility	200 x 200
Tilt adjustment	+/-40°
Swivel at wall	180°
Swivel at centre of arm	360°
Swivel at Interface	240°
Distance from wall	3.74" to 20.66"

FEATURES

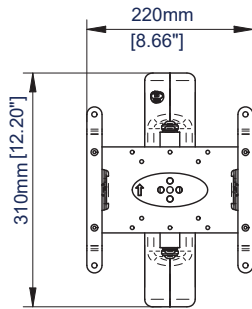
- 1 Easy tilt and swivel adjustment
 - 2 Includes Security locking screws to prevent unauthorized screen removal
 - 3 Folds flat to the wall
 - 4 Includes CLIPLOGIC® cable management
- Features three swivel points for perfect screen positioning
 - Simple 'hook-on' installation with all mounting hardware included



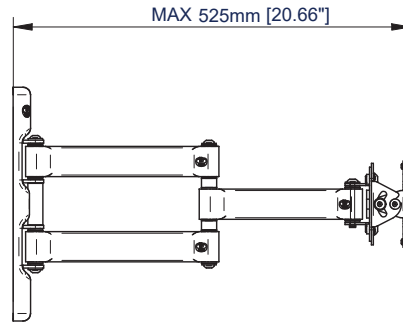
RECOMMENDED MAX SCREEN	MAX LOAD	MAX VESA	COLLAR COMPATIBLE	TILT	SWIVEL	QR CODE
47" 120cm	55lbs	200		40° 40°	180°	



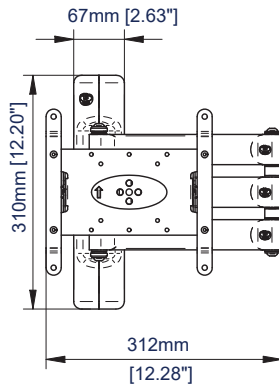
BT7515



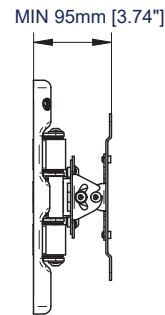
FRONT VIEW
MAXIMUM EXTENSION



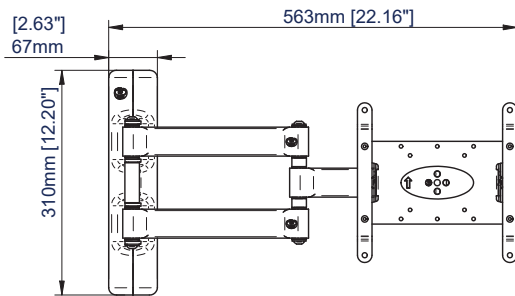
SIDE VIEW
MAXIMUM EXTENSION



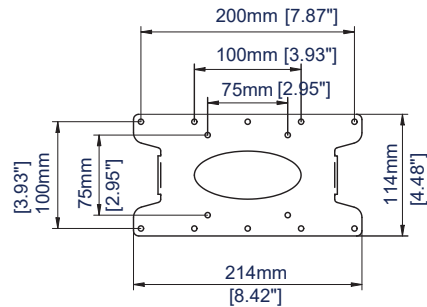
FRONT VIEW
FOLDED TO WALL



SIDE VIEW
FOLDED TO WALL



SIDE VIEW
MAXIMUM EXTENSION



FRONT VIEW
INTERFACE PLATE

ORDERING INFORMATION

COLOR	ORDER REF	UPC
Piano Black	BT7515/PB	811867034530

RELATED PRODUCTS

PRODUCT CODE	NAME	DESCRIPTION
BT7532	Fixed Flat Screen Wall Mount	Low profile wall mount ideal for screens up to 47"
BT7514	Single Arm Flat Screen Wall Mount	Shorter arm extension of up to 13.22", ideal for screens up to 47"
BTV514	Double Arm Flat Screen Wall Mount	Features swivel points at the wall, central pivot & the interface, for screens up to 60"
BT7841	Accessory Collar	Accessory Collars allow the user to attach BT7515 to BT7850 Ø2" Poles

© 2015 B-Tech AV Mounts, Inc. All rights reserved. The information in this specification sheet reflects the current technical specifications at the time of printing. We reserve the right to change the technical or physical specifications without prior notice. The B-Tech name and the B-Tech logo are registered trademarks of B-Tech AV Mounts, Inc. All other trademarks are the property of their respective owners. B-Tech is not responsible for any damage caused by improper installation or mounting on unstable structures. Any reproduction or use without permission is prohibited. All rights reserved. Specification sheet is solely for informational purposes and does not constitute an offer or any other representation. B-Tech AV Mounts, Inc. is not responsible for any damage caused by improper installation or mounting on unstable structures. Any reproduction or use without permission is prohibited. All rights reserved. SS-BT7515-V3-060124-NA