

# BT7518

## FLAT SCREEN WALL MOUNT WITH TILT & SWIVEL FOR SCREENS UP TO 28"

Designed to mount small flat screens, this wall mount features both swivel & tilt functions. With the distance to wall at 3.66" it allows easy positioning & a full 360° rotation of the screen. Cover plates are included to hide fixings for a smart installation. BT7518 is also collar compatible for alternative mounting solutions, ideal for commercial applications as well as home installations.

### SPECIFICATIONS

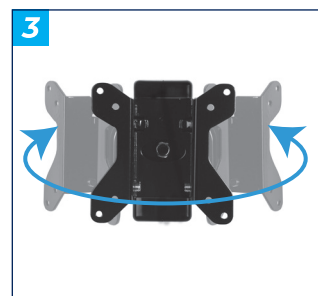
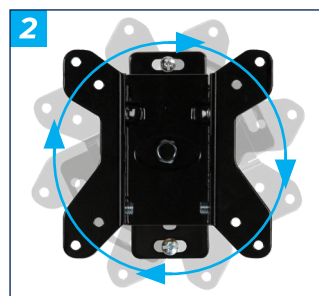
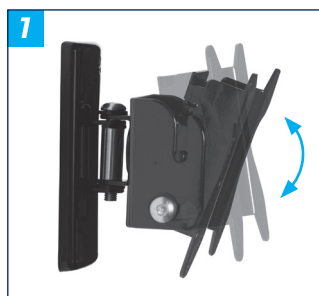
Recommended screen size	up to <b>28"</b>
Max load	<b>44lbs</b>
VESA® compatibility	<b>75 x 75 &amp; 100 x 100</b>
Extension	<b>3.66"</b>
Tilt	<b>+17° / -10°</b>
Swivel (wall mounted)	<b>50°</b>
Swivel (pole mounted)	<b>180°</b>
Screen rotation	<b>360°</b>

### FEATURES

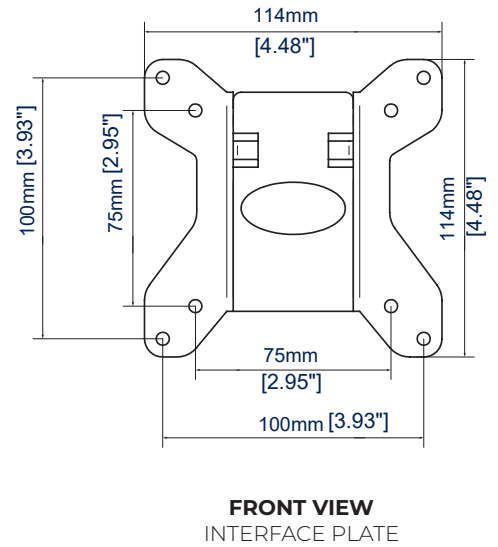
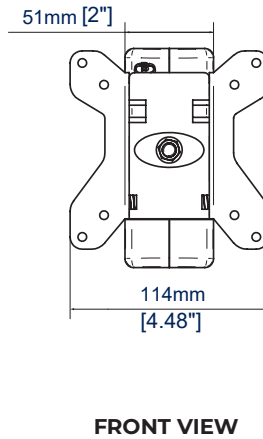
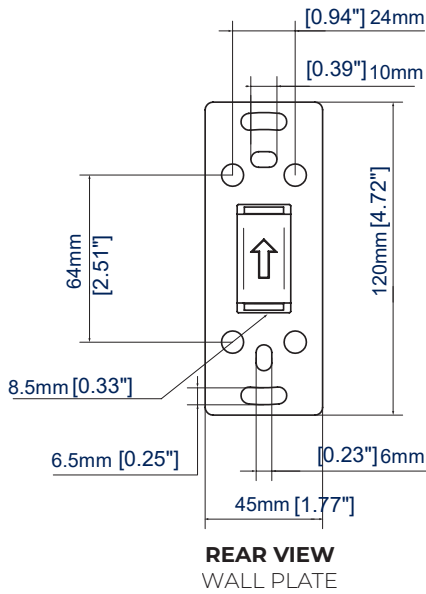
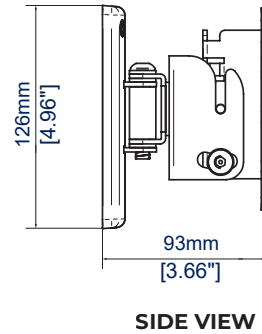
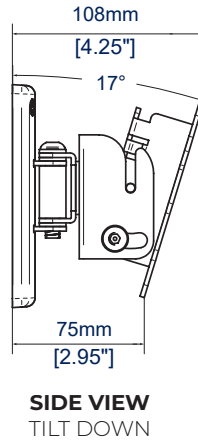
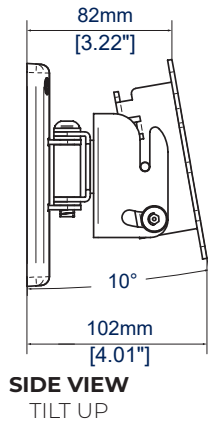
- 1 Easy tilt adjustment
  - 2 Screen rotation adjustment up to 360°
  - 3 Swivel up to 180°
  - 4 Security locking screws & Allen key provided for a secure installation
- Features 'OWLS' (On Wall Leveling System)
  - Simple 'hook-on' installation
  - All mounting hardware included
  - Compatible with B-Tech accessory collars



RECOMMENDED MAX SCREEN	MAX LOAD	MAX VESA	COLLAR COMPATIBLE	TILT	SWIVEL	ROTATION	QR CODE
28" 71cm	44lbs	100		10° 17°	50°	360°	



# BT7518



## ORDERING INFORMATION

COLOR	ORDER REF	UPC
Black	BT7518/B	811867034547

## RELATED PRODUCTS

PRODUCT CODE	NAME	DESCRIPTION
BT7512	Single Arm Flat Screen Wall Mount with Tilt & Swivel	Ideal for screens up to 28" & features easy tilt & swivel
BT7511	Flat Screen Wall Mount with Tilt & Swivel	Ideal for screens up to 28" & features easy tilt
BT7542	Interface Adapter Arms	Convert VESA 100x 100 mounts to 200 x 100
BT7841	Ø2" Accessory Collars	Allows mounts & accessories to be fitted to Ø2" poles

© 2018 B.Tech. All Rights Reserved. The information this specification sheet reflects the current technical specifications at the time of printing. We reserve the right to change the technical or physical specifications without prior notice. The B.Tech name & logo are registered trademarks of B.Tech. AV Mounts, Ltd. B.Tech is not responsible for loss or damage caused by improper installation or mounting on unsuitable structures. Any reproduction, use, adaptation or republishing of any part of this specification sheet is strictly prohibited unless prior written permission is obtained by B.Tech. AV Mounts, Ltd. B.Tech.