

BT77

ULTRAGRIP PRO™ SIDE-CLAMPING SPEAKER WALL MOUNTS WITH TILT AND SWIVEL (PAIR)

Suitable for most speakers, including curved front types, the BT77 wall mount features a padded, adjustable side clamping design which grips medium to large-sized speakers without marking them. The mounts are easy to install with tilt and swivel adjustments that allow for optimal speaker positioning once mounted. Supplied in pairs, the BT77 also includes cover plates for a tidy finish.



SPECIFICATIONS

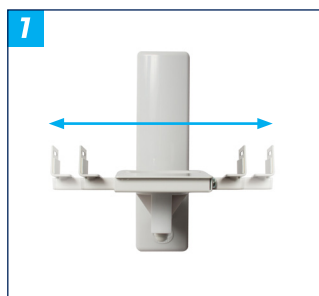
Max load	55lbs
Adjustable clamp size	5.31" - 11.02"
Tilt	+/-10°
Swivel	360°
Color options	Black or White

FEATURES

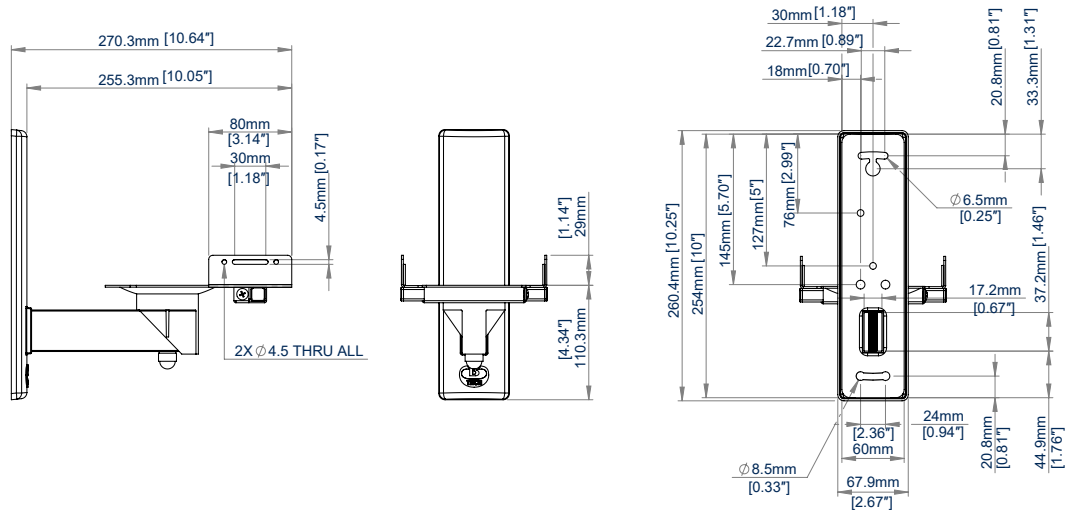
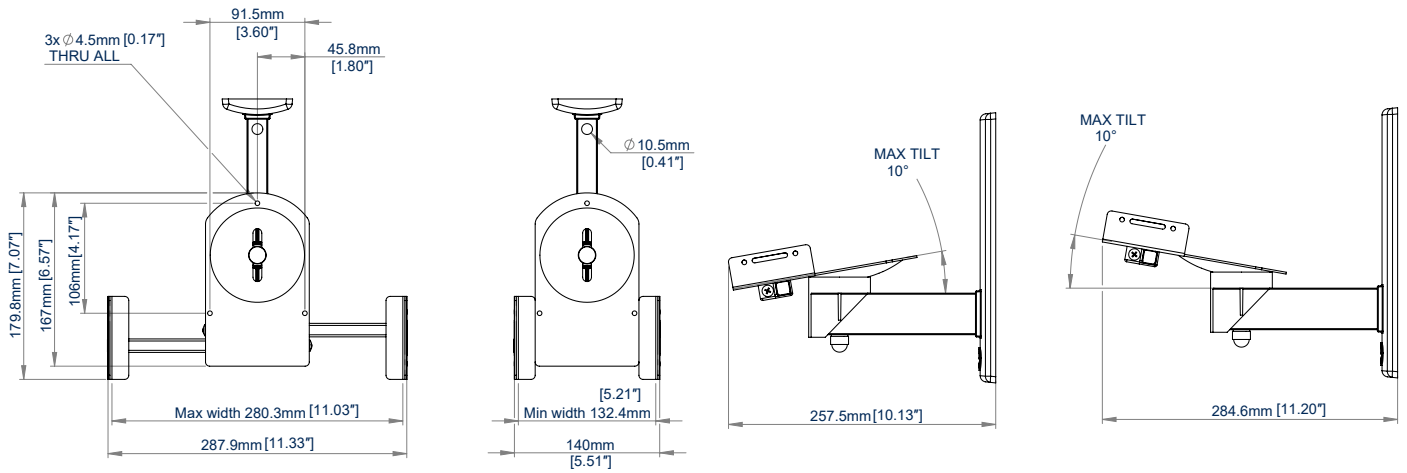
- 1 Adjustable clamp to accommodate larger speaker sizes
- 2 Tilt and swivel adjustment allows perfect positioning
- 3 Integrated cable management
- 4 Safety straps (not included) can be added to the clamp
 - Padded side-clamping design does not mark the speaker
 - Supplied with cover plate and screw cap for a tidy finish
 - Can also be mounted to System X columns or collars for pole mounting
 - Quick and easy installation with keyhole mounting
 - All mounting hardware included
 - Supplied in pairs



MAX LOAD 55lbs	TILT 10° 10°	SWIVEL 360°	COLOR OPTIONS 	COLLAR COMPATIBLE 	
--------------------------	---------------------------	-----------------------	--------------------------	------------------------------	--



BT77



ORDERING INFORMATION

COLOR	ORDER REF	UPC
Black	BT77/B	811867034646
White	BT77/W	811867034653

RELATED PRODUCTS

PRODUCT CODE	NAME	DESCRIPTION
BT7052	$\varnothing 2"$ Accessory Collar	Allows a wide range of mounts and accessories to be fitted to $\varnothing 2"$ poles
BT15	Centre Speaker Wall Mount	Ideal solution for centre channel speakers, media players & other AV equipment
BT332	Speaker Wall Mounts	Designed to mount home cinema speakers up to 11lbs
BTV914	Universal Soundbar Mount	Ideal solution for mounting a soundbar speaker to your flat screen TV

© 2018 B Tech AV Mounts Co. Ltd. All rights reserved.
 The information in this specification sheet reflects the current technical specifications as of the time of printing.
 We reserve the right to change the technical or physical specifications without prior notice. These specifications are subject to change without notice.
 B Tech AV Mounts Co. Ltd. is not responsible for any damage caused by improper installation or mounting on unsuitable structures. Any reproduction or use of information or specification of any part of this specification sheet is strictly prohibited unless prior written permission is granted by B Tech AV Mounts Co. Ltd.

SS-V7-BT77-100424-NA