

# BT7841

## SYSTEM 2™ 2-PIECE ACCESSORY COLLAR FOR Ø2" POLES

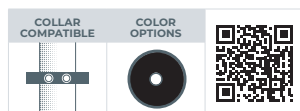
The BT7841 Ø2" Accessory Collar is a fundamental component of the 'System 2' range, facilitating the attachment of various mounts and accessories to B-Tech poles. Its 2-piece split design ensures a swift and straightforward installation process, enabling the retrofitting of accessories onto existing installations without disassembly. The inclusion of plastic cover plates as standard provides a neat appearance for finished installations.

### SPECIFICATIONS

Compatible Pole Diameter	<b>Ø2"</b>
Collars supplied per pack	<b>1</b>
Color	<b>Black</b>

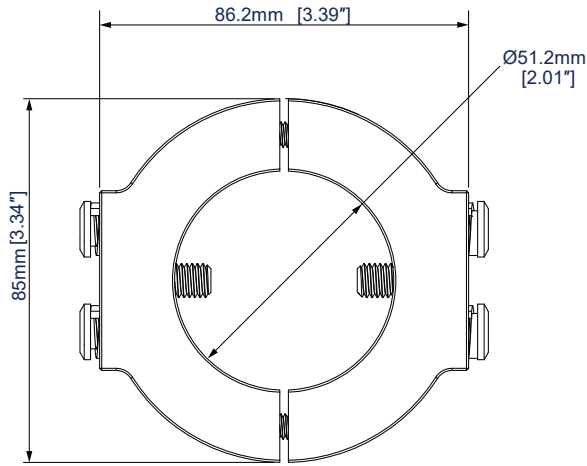
### FEATURES

- 1** 2-piece split design for easy installation
- 2** Dual fixing points allow back-to-back installations onto a single collar
- 3** Supplied with cover plates for a smart finish
- 4** Enables a range of mounts and accessories to be fitted to Ø2" poles
- The 2-piece clamping method prevents installations from marking poles

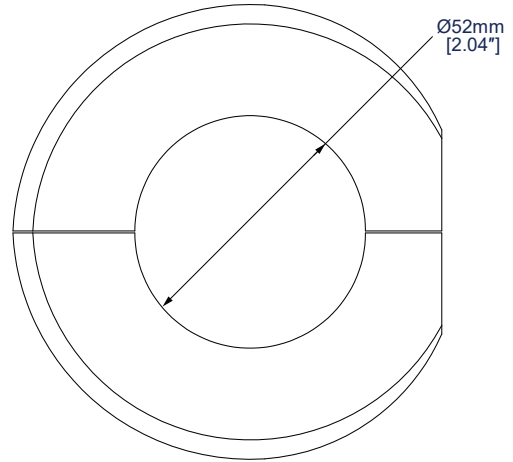


*\*Please note the covers cannot be used for back-to-back configurations*

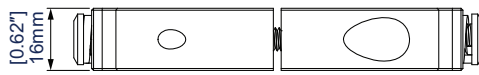
# BT7841



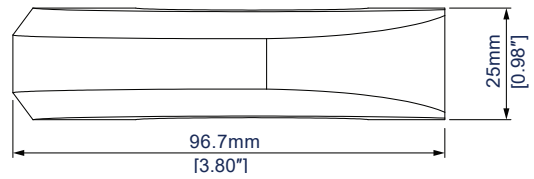
TOP VIEW



TOP VIEW  
COVER



SIDE VIEW



SIDE VIEW  
COVER

## ORDERING INFORMATION

COLOR	ORDER REF	UPC
Black	BT7841/B	811867032338

## RELATED PRODUCTS

PRODUCT CODE	NAME	DESCRIPTION
BT7850	Ø2" Poles	Available in a variety of lengths to create multiple pole-mounted solutions
BT8390-CFK	Collar Fixing Kit	Use with B-Tech accessory collars to attach a BT8390 mounting rail to a pole
BT8431	Flat Screen Wall Mount with Tilt	Designed for screens up to 55" & features our easy tilt mechanism
BT7051	Heavy Duty Accessory Collar	Heavy duty accessory collar to attach mounts and accessories to Ø2" poles

© 2018 B-Tech, All Rights Reserved. The information this specification sheet reflects the current technical specifications at the time of printing. We reserve the right to change the technical or physical specifications without prior notice. The B-Tech name and the B-Tech logo are registered trademarks of B-Tech, All Rights Reserved. B-Tech is a registered trademark of B-Tech, All Rights Reserved. All other trademarks are the property of their respective owners. B-Tech is not responsible for any loss or damage caused by improper installation or mounting on unsuitable structures. Any reproduction, use, or modification of any part of this specification sheet is strictly prohibited unless prior written permission is granted by B-Tech, All Rights Reserved. L1112018

SS-BT7841-100424-NA