

BT7873

MOUNTING PLATE FOR LOGITECH RALLY VIDEO BARS

The BT7873 is designed specifically to mount a Logitech Rally Bar or a Logitech Rally Bar Mini to a variety of B-Tech products. The mounting plate allows the video bar to be mounted above or below a screen and can be fixed to B-Tech columns (BT8380, BT8381 or BT8385), single or twin $\varnothing 2$ " poles using a B-Tech collar, a System X rail using a BT8390-SA, or onto a compatible flat screen wall mount using a BT7031 Adjustable Accessory Mounting Arm.



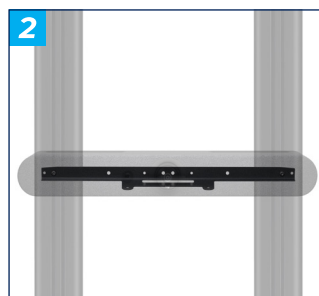
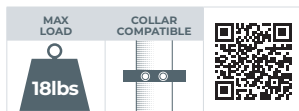
SPECIFICATIONS

Max load	18lbs
Dimensions	W: 17.32" x H: 1.18"
Color	Black

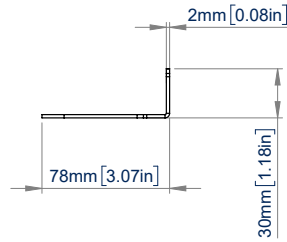
FEATURES

- Mounts Logitech Rally Video Bars to a variety of B-Tech Products
- 1 Use with BT7031 to mount above / below B-Tech Flat Screen Wall Mounts
- 2 Mounts across a single or dual BT8380, BT8381 or BT8385 columns
- 3 Compatible with BT7052 Collars for use with $\varnothing 2$ " Poles
- 4 Suitable for mounting above or below screens on B-Tech Columns or Poles
- Can use BT8390-SA to mount above or below any screen on a System X Rail
- Uses BT7034 for mounting above / below B-Tech Media Storage Mounts
- Simple installation
- All mounting hardware included

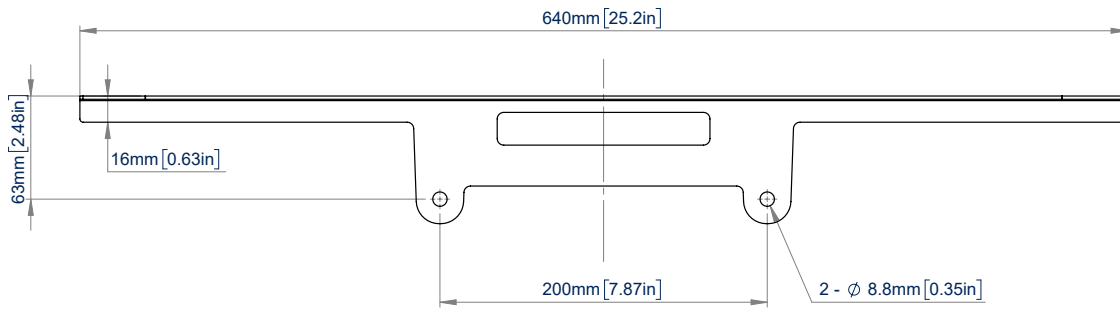
Suitable for a variety of major brands, including:



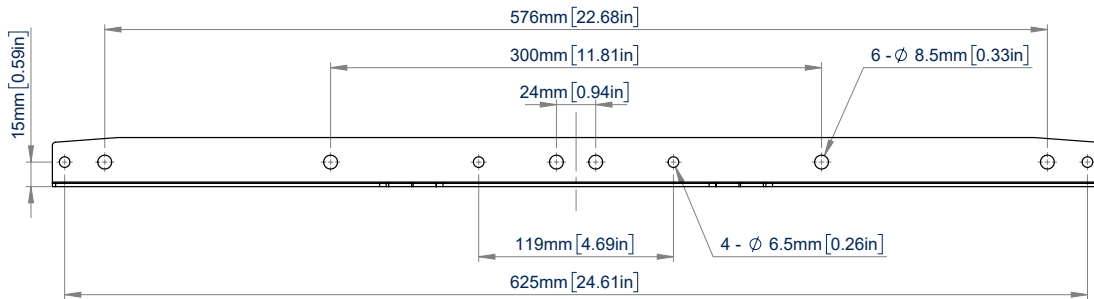
BT7873



SIDE VIEW



TOP VIEW



FRONT VIEW

ORDERING INFORMATION

COLOR	ORDER REF	UPC
Black	BT7873/B	811867031836

RELATED PRODUCTS

PRODUCT CODE	NAME	DESCRIPTION
BT7031	Accessory Mounting Arm	Allows mounted accessories to be positioned above or below a B-Tech wall mount
BT8390-SA	Accessory Mounting Arm	Allows mounted accessories to be positioned above or below a System X rail
BT8380/81/85	B-Tech Columns	For a fixed, freestanding or mobile applications
BT7871	Video Bar Mounting Plate	Allows the user to fit a variety of videobars / UC equipment to a range of B-Tech products

© 2024 B-Tech AV Mounts Corporation Ltd. All rights reserved.
 The information in this specification sheet reflects the current technical specifications of B-Tech AV Mounts Co. Ltd.
 We reserve the right to change the technical or physical specifications without prior notice. The B-Tech logo and the B-Tech name are registered trademarks of B-Tech AV Mounts Co. Ltd.
 B-Tech is a registered trademark of B-Tech AV Mounts Corporation Ltd. All other trademarks are the property of their respective owners.
 B-Tech is not responsible for any damage caused by improper installation or mounting on unstable structures. Any reproduction or use without permission or registration of any part of this specification sheet is strictly prohibited. Contact us for more information or permission to reproduce this document.
 SS-V7-BT7873-160424-NA