



FOR  
 logitech  
 RALLY PLUS  
 SPEAKERS

# BT7874

## MOUNTING PLATE FOR DUAL LOGITECH® RALLY PLUS SPEAKERS

The BT7874 is designed specifically to mount the Logitech Rally Plus speakers to a range of B-Tech products. The versatile mounting plate can position the speakers above or below screen by fixing either to a B-Tech column, onto a System X rail or a flat screen mount (using adaptors) or can be pole mounted using a B-Tech accessory collar.

### SPECIFICATION

Max Load	5kg
Dimensions	740mm x 30mm
Steel thickness	5mm
Colour	Black

### FEATURES

- Designed to mount dual **Logitech Rally Plus Speakers** to a range of B-Tech products
- Mounts across a single or dual BT8380, BT8381 or BT8385 column
- Use with a BT7031 Adjustable Mounting Arm to mount onto a range of B-Tech flat screen wall mounts such as the BT8431, BT8432, BT8442, BT9901 and BT9903
- Compatible with BT7052 / BT7841 collars for use with ø50mm poles or on to a BT8504 trolley
- Can also be used with BT8390-SA to mount above or below a screen that is mounted on a BT8390 System X rail
- Simple installation
- All mounting hardware included

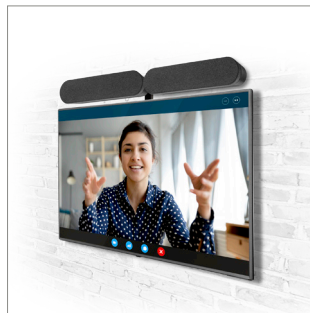
*\*Mounting to the BT8385 column will require the BT7874 to be used in conjunction with the BT8385-RTC*



Use with a BT7031 adaptor to mount onto a range of B-Tech flat screen mounts.



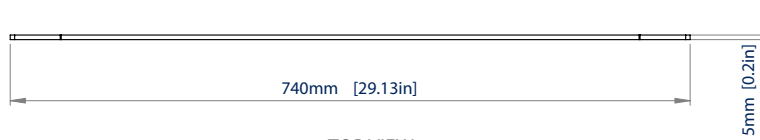
Use with a BT8390-SA to mount speakers onto a BT8390 rail.



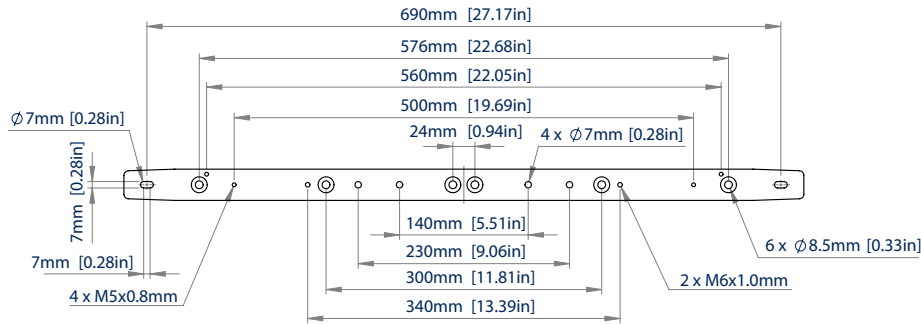
Suitable for mounting speakers above or below the screen.



Also suitable for mobile mounted solutions.



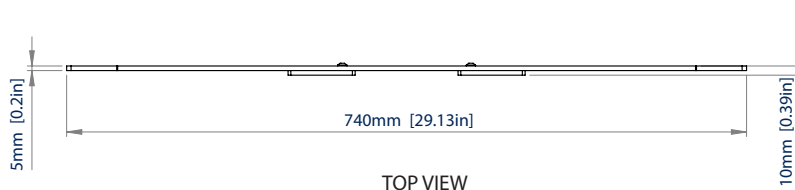
TOP VIEW



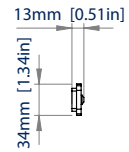
FRONT VIEW

SIDE VIEW

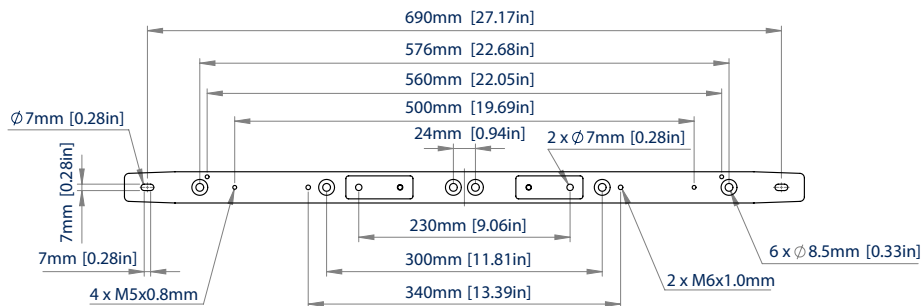
WITH SPACERS (FOR COLLAR MOUNTING)



TOP VIEW



SIDE VIEW



FRONT VIEW

PACKING INFORMATION

COLOUR:	ORDER REF:	EAN CODE:
Black	BT7874/B	5019318306259

ACCESSORIES AND RELATED PRODUCTS



**BT7031**  
Adjustable Accessory Mounting Arm allows mounted accessories to be positioned above or below the screen(s) on a selection of B-Tech flat screen wall mounts



**BT8390-SA**  
Adjustable Accessory Mounting Arm allows mounted accessories to be positioned above or below the screen(s) from BT8390 System X Rails



**BT8380 / BT8381 / BT8385**  
Mounts Directly to any B-Tech Column for a fixed, freestanding or mobile applications



**BT7871**  
Mounting Plate for UC/VC Video Bars allows the user to fit a variety of videobars / UC equipment to a range of B-Tech products

© 2015 B-Tech Mounts of Devon, UK. All rights reserved. We warrant the information on this website to be accurate as of the date of publication. We do not warrant the accuracy of any information on this website that is not provided by us. B-Tech Mounts is not liable for any loss or damage caused by improper or incorrect installation, use, or modification of any product. B-Tech Mounts is not liable for any loss or damage caused by improper or incorrect installation, use, or modification of any product. B-Tech Mounts is not liable for any loss or damage caused by improper or incorrect installation, use, or modification of any product. B-Tech Mounts is not liable for any loss or damage caused by improper or incorrect installation, use, or modification of any product.