



B-TECH AV MOUNTS™

EASY ACCESS TO AV EQUIPMENT

BT7883

FLAT SCREEN WALL MOUNT WITH SLIDE-OUT AV STORAGE TRAY

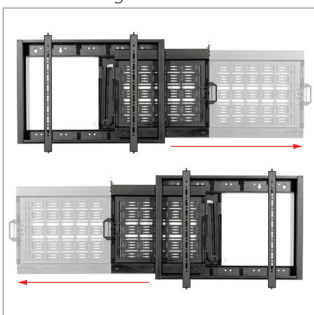
The BT7883 is a screen mounting solution with an integrated slide-out tray for storing AV equipment behind the screen. Featuring a quick release equipment interface plate which can be separated from the mount, AV equipment can be easily added or removed from the install without needing to remove the screen first. The tray mechanism is tool-less for ease and speed of use, with the option to add a padlock (not included) to help prevent unauthorised access to the equipment. To ensure cables do not get tangled or pinched when the tray is opened and closed, an integrated cable management track moves in unison with the tray. The BT7883 is suitable for wall mounting as well as to B-Tech's System 2 poles and System X/Mode-AL columns.

SPECIFICATION

Recommended screen size	46"-70"
Max screen weight	70kg
VESA® fixings	200 x 200 up to 600 x 400
Depth from wall	100mm
Max storage load	10kg
Max equipment dimensions	H:424 W:335 D:65mm
Max tray extension (from wall mount)	850mm

FEATURES

- Flat screen mount designed to hold & hide AV accessories behind a screen
- Can be mounted so tray slides open on the left or right side of the screen
- Tool-less operation of tray movement
- Interface Arms includes levelling screws to adjust the screen height
- All accessories can be accessed, removed or added when in open position without screen removal
- Quick release function of tray so equipment can be easily removed from tray & serviced
- Locks in closed & open positions & can be secured with a padlock (*padlock not included*)
- Compatible with B-Tech's System X / Mode-AL columns & with B-Tech collars for pole mounted installations
- All mounting hardware included



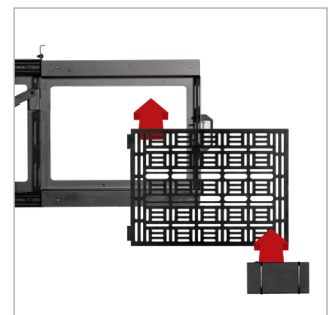
Can be mounted so tray slides open on the left or right side of the screen



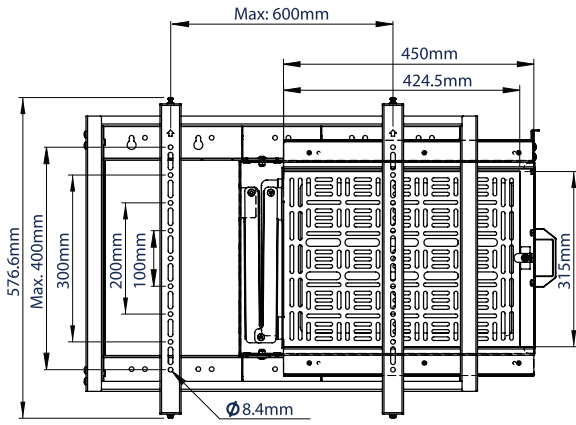
All accessories can be accessed, removed or added when in open position without screen removal



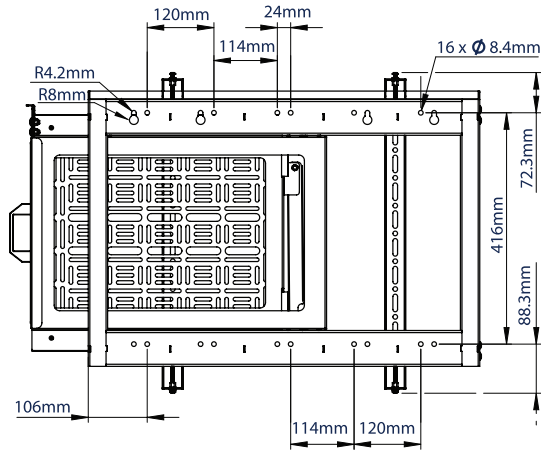
Screen size markings to adjust mount to fit all screens from 32"-70"



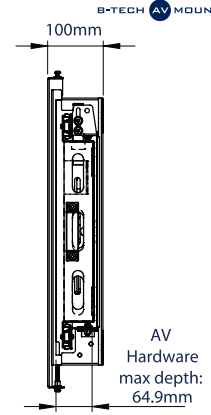
Quick release function of tray so equipment can be easily added, removed or serviced



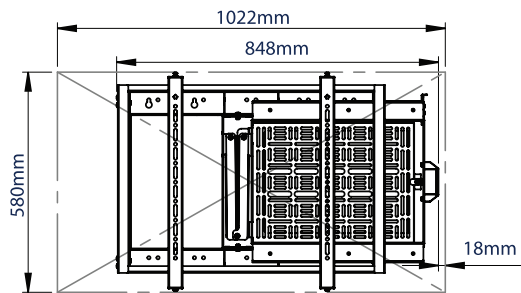
FRONT VIEW



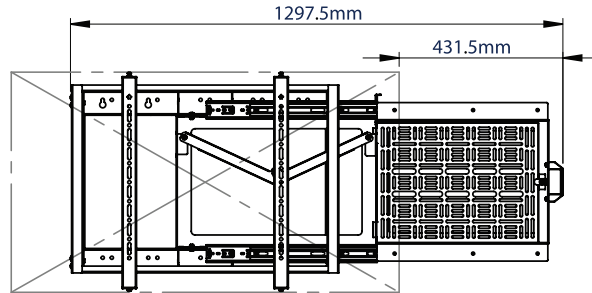
REAR VIEW



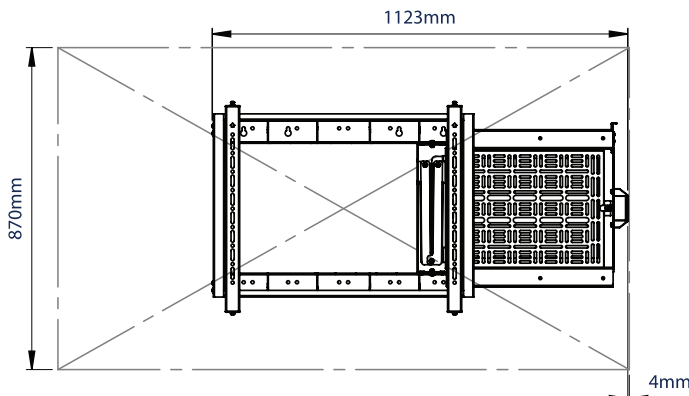
SIDE VIEW



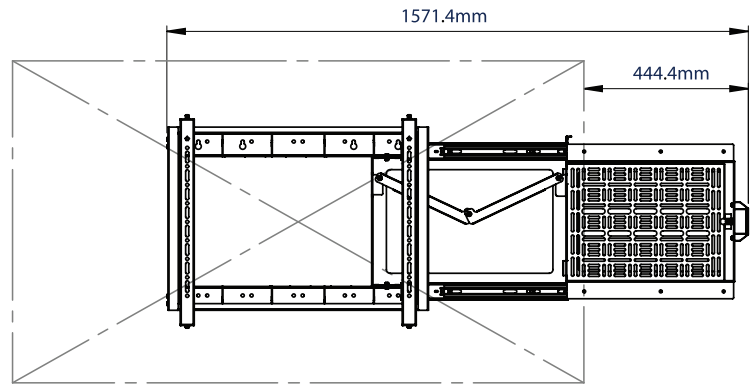
46" SCREEN - CLOSED



46" SCREEN - OPEN



70" SCREEN - CLOSED



70" SCREEN - OPEN

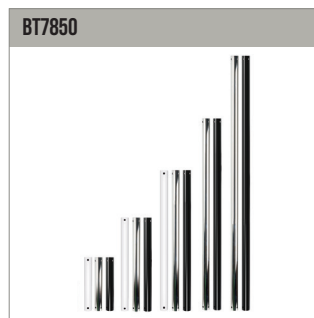
PACKING INFORMATION

COLOUR:	ORDER REF:	EAN CODE:	MASTER CARTON QTY:	INNER CARTON QTY:	MASTER CARTON WEIGHT:	MASTER CARTON CUBE:
Black	BT7883/B	5019318303319	1	0	21.5kg	0.083cbm

ACCESSORIES AND RELATED PRODUCTS



050mm 2-Piece Accessory Collar allows a wide range of mounts and accessories to be fitted to 050mm poles



050mm Pole designed for ceiling, floor or floor-to-ceiling installations



Flip-Down AV Storage Tray designed to hold & hide AV accessories behind a screen



AV Storage Cradle Suitable for a wide range of AV equipment including 1U, 2U and 3U rack units

© 2016 B-Tech Professional Design & Manufacturing Ltd. All rights reserved.
 The information in this specification is for reference only. It is not intended to be used as a substitute for the manufacturer's instructions. B-Tech Professional Design & Manufacturing Limited
 B-Tech Professional Design & Manufacturing Limited is not responsible for any damage or loss of data caused by improper use of the product. B-Tech Professional Design & Manufacturing Limited
 B-Tech Professional Design & Manufacturing Limited is not responsible for any damage or loss of data caused by improper use of the product. B-Tech Professional Design & Manufacturing Limited
 SS-V1-BT7883-220722