

BT8200

ULTRA-SLIM FLAT SCREEN WALL MOUNT FOR SCREENS UP TO 47"

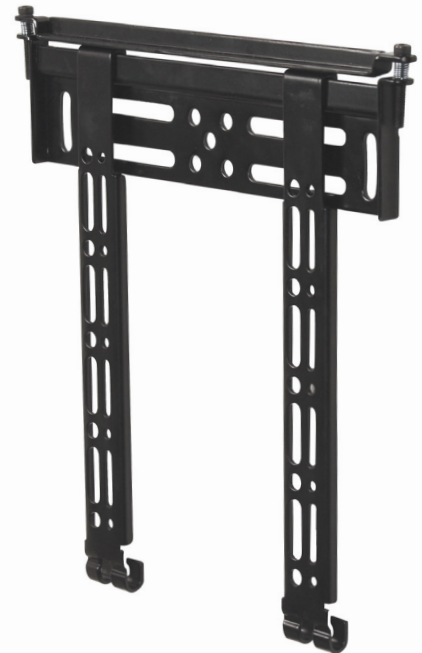
Designed for medium-sized screens up to 88lbs, the ultra-slim BT8200 mounts screens just 0.55" from the wall and features post-installation screen alignment and simple 'hook-on' mounting. Our signature 'Torsion-Lock' security system adds an extra layer of protection against unauthorized screen removal. All necessary mounting hardware is included with the mount.

SPECIFICATIONS

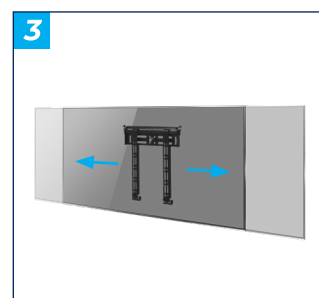
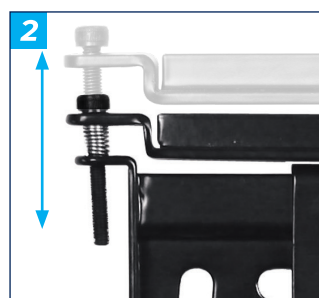
Recommended screen size	up to 47"
Max load	88lbs
Universal fixings	up to 9.44" x 7.87"
VESA® compatibility	up to 200 x 200
Distance from wall	0.55"

FEATURES

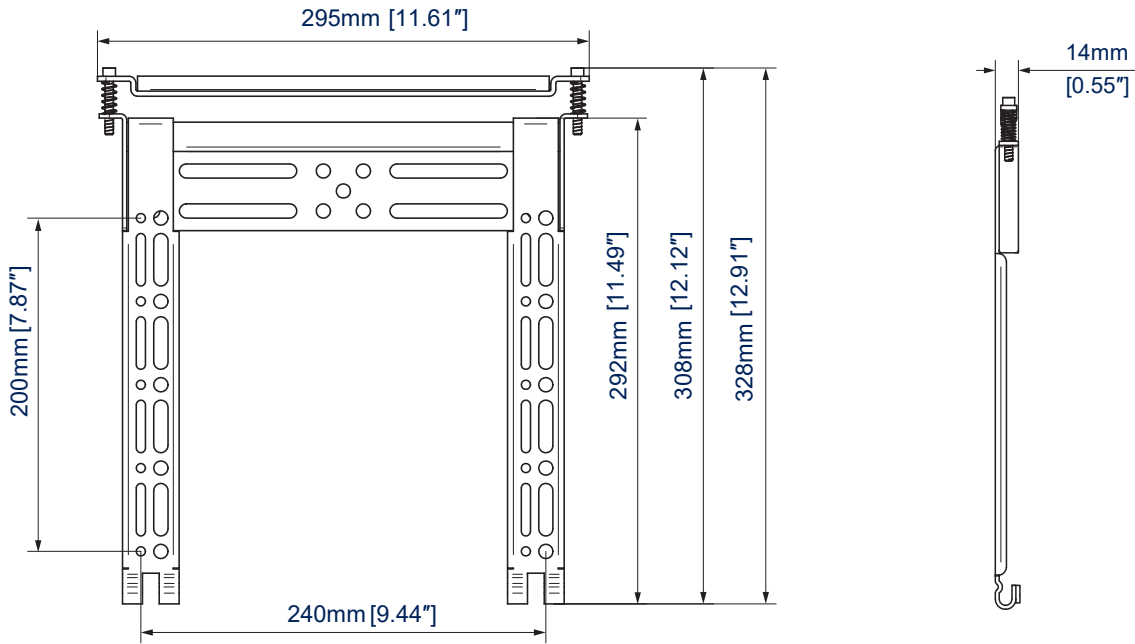
- 1 Ultra-slim design mounts screens only 0.55" from the wall
- 2 Patented 'Torsion-Lock' security prevents un-authorized removal
- 3 Post installation screen alignment for perfect screen positioning
- 4 All mounting hardware included
 - Suitable for concrete or brick walls
 - Low profile coach screws to allow the arms to slide along the rail
 - Security screws, Allen key and locking bars ensure a secure installation
 - Supplied pre-assembled to reduce install times
 - Simple 'hook-on' installation



RECOMMENDED MAX SCREEN	MAX LOAD	MAX VESA	POST INSTALL ALIGNMENT	QR CODE
47" 120cm	88lbs	200	← →	

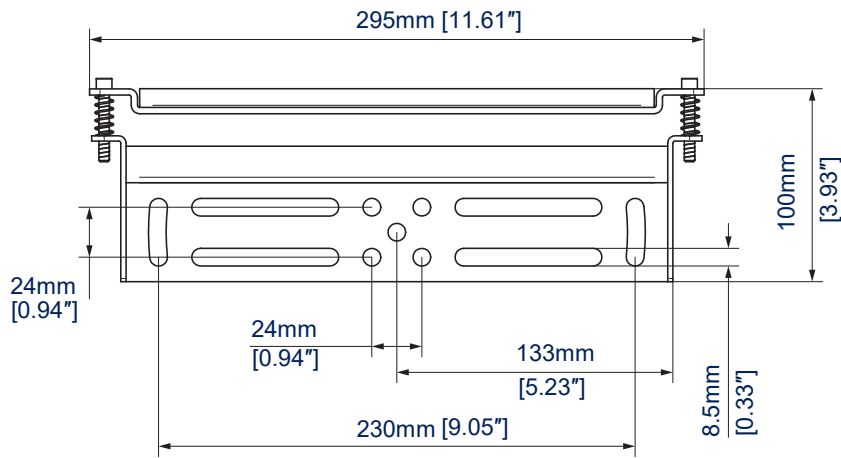


BT8200



FRONT VIEW

SIDE VIEW



WALL PLATE
FRONT VIEW

ORDERING INFORMATION

COLOR	ORDER REF	UPC
Black	BT8200/B	811867034981

RELATED PRODUCTS

PRODUCT CODE	NAME	DESCRIPTION
BT8210	Ultra-Slim Flat Screen Wall Mount	Ultra-Slim mounting solution for screens up to 55"
BT8220	Ultra-Slim Flat Screen Wall Mount	Ultra-Slim mounting solution for screens up to 80"
BT7523	Flat Screen Wall Mount with Tilt	Mounting solution with tilt function, for screens up to 47"
BTV502	Flat Screen Wall Mount with Tilt & Swivel	Mounting solution with tilt & swivel function, for screens up to 47"

© 2015 B.Tech. AV Mounts, Ltd. All rights reserved.
The information this specification sheet reflects the current technical specifications at the time of printing.
We reserve the right to change the technical or physical specifications without prior notice. The B.Tech name and the B.Tech logo are registered trademarks of B.Tech. AV Mounts, Co. Ltd.
B.Tech is not responsible for any loss or damage caused by improper installation or mounting on unsuitable structures. Any reproduction, use, adaptation or resale without the prior written permission is strictly prohibited. All rights reserved. B.Tech AV Mounts, Co. Ltd. 44-45, The Arcade, London, E1 1AA, UK. Tel: +44 (0)20 7424 4444. Fax: +44 (0)20 7424 4445. Email: sales@bttech.co.uk