

BT8220

ULTRA-SLIM FLAT SCREEN WALL MOUNT FOR SCREENS UP TO 80"

Designed for medium sized screens up to 176lbs, the ultra-slim BT8220 mounts screens just 0.55" from the wall and features post installation screen alignment, B-Tech's "On Wall Leveling System" and simple 'hook-on' installation to make screen mounting as quick and simple as possible. The BT8220 also features B-Tech's patented 'Torsion-Lock' security to help prevent un-authorized removal of the screen. All mounting hardware included.



SPECIFICATIONS

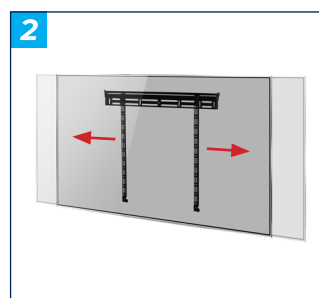
Recommended screen size	up to 80"
Max load	176lbs
Fixing patterns	up to 33.07" x 19.68"
Distance from wall	1.18"

FEATURES

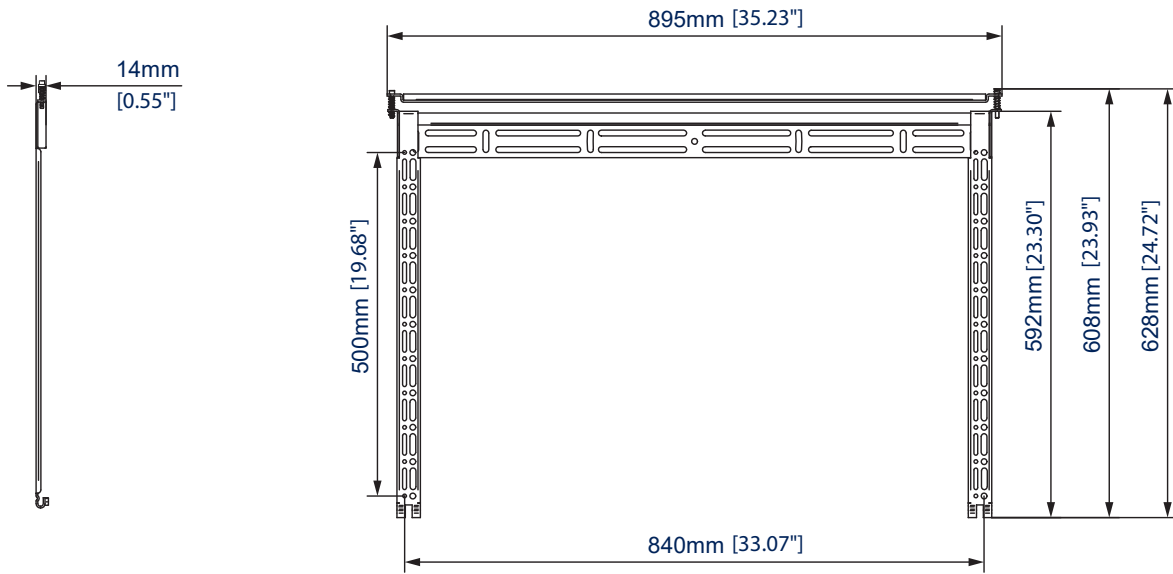
- 1 Ultra-slim design mounts screen only 0.55" from the wall
- 2 Post installation screen alignment for perfect positioning every time
- 3 Patented 'Torsion-lock' security prevents unauthorized removal of the screen
- 4 All mounting hardware included
 - On Wall Leveling system allows you to level the wall plate post installation
 - Suitable for concrete or brick walls
 - Security locking screws prevent unauthorized screen removal
 - Simple 'hook-on' installation



RECOMMENDED MAX SCREEN	MAX LOAD	MAX VESA	POST INSTALL ALIGNMENT	COLLAR COMPATIBLE	QR CODE
80" 203cm	176lbs	500			

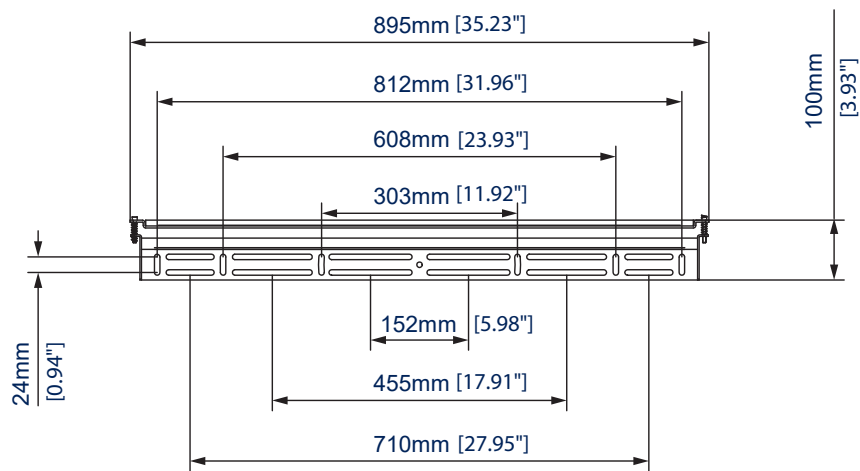


BT8220



SIDE VIEW

FRONT VIEW



WALL PLATE

ORDERING INFORMATION

COLOR	ORDER REF	UPC
Black	BT8220/B	811867035001

RELATED PRODUCTS

PRODUCT CODE	NAME	DESCRIPTION
BT8200	Ultra-Slim Flat Screen Wall Mount	Designed for medium sized screens up to 88lbs
BT8210	Ultra-Slim Flat Screen Wall Mount	Designed for medium sized screens up to 110lbs
BT8421	Universal Flat Screen Wall Mount	Designed for medium sized screens up to 77lbs
BT8422	Universal Flat Screen Wall Mount	Designed for medium sized screens up to 154lbs

© 2014 B.Tech. AV Mounts Corporation Ltd. All rights reserved.
 The information this specification sheet reflects the current technical specifications as of the time of printing.
 We reserve the right to change the technical or physical specifications without prior notice. The B.Tech. name and the B.Tech. logo are registered trademarks of B.Tech. AV Mounts Corporation Ltd.
 B.Tech. is not responsible for loss or damage caused by improper installation or mounting on unsuitable structures. Any reproduction or reuse, alteration or modification of any part of this
 specification sheet is strictly prohibited unless prior written permission is obtained from B.Tech. AV Mounts Corporation Ltd. B.Tech.

SS-V2-BT8220-040924-NA