

BT8309

POP-OUT FLAT SCREEN WALL MOUNT WITH MICRO-ADJUSTMENT

The BT8309 is designed to install small to medium screens into recessed walls. The pop-out mechanism allows for a flush to the wall installation while still allowing access to the rear of the screen for easy installation and service access. Tool-less micro-adjustment is included on each corner to allow screens to perfectly align to the recess and additional screens in a videowall installation. BT8309 also allows screens to be mounted in landscape or portrait orientation and is compatible with B-Tech's professional pole and collar system for pole-mounted installs.

SPECIFICATIONS

Recommended screen size	up to 42"
Max load	55lbs
VESA® compatibility as standard	75 x 75 up to 200 x 200
Flat to wall depth	2.87" ** (+/-0.23" with micro-adjustment)
Popped out depth	7.51" ** (+/-0.23" with micro-adjustment)
Tool-less micro-adjustment	+/-0.23" per corner
Screen height adjustment	+0.47"



FEATURES

- 1 Perfect solution for mounting screens into a recessed wall
 - 2 Push to open / push to close system provides easy service access
 - 3 Micro-adjustment of +/-0.23" at each corner for seamless alignment
 - 4 Suitable for both wall or pole mounting
- Suitable for landscape or portrait screen mounting
 - Can also be used to create videowall installations
 - Keyhole mounting for quick and easy installation
 - Leveling screws allow adjustment of screen height
 - Integrated locking mechanism prevents accidental pop-out of mount
 - Integrated cable management
 - 'Hook-on' installation with all mounting hardware included

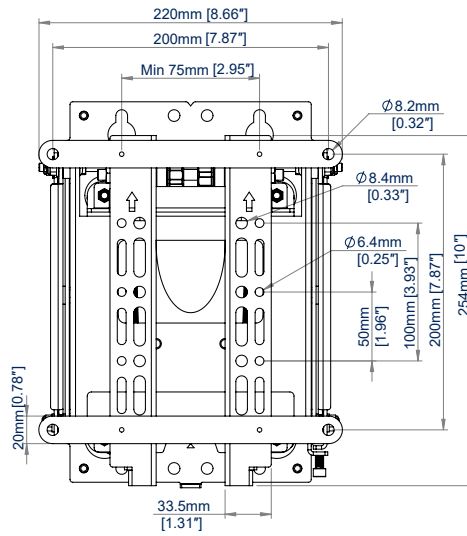


RECOMMENDED MAX SCREEN	MAX LOAD	MAX VESA	MICRO ADJUSTMENT	POST INSTALL ALIGNMENT	COLLAR COMPATIBLE	QR CODE
42" 107cm	55lbs	200 x 200				

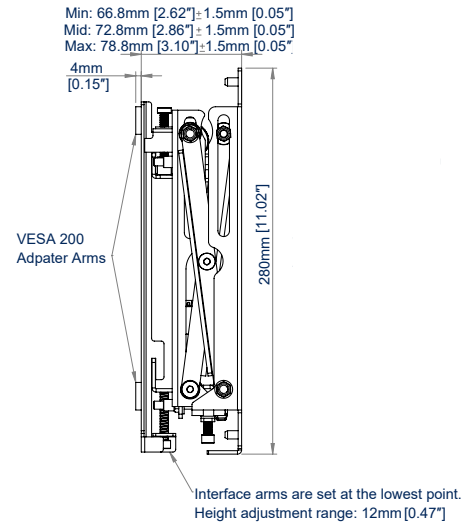


*Please note using the included Interface Adapter Arms to mount VESA 200 x 200 screens will increase the total depth of the product by 0.15" for a total depth of: 3.03" or 7.67" whilst popped out.

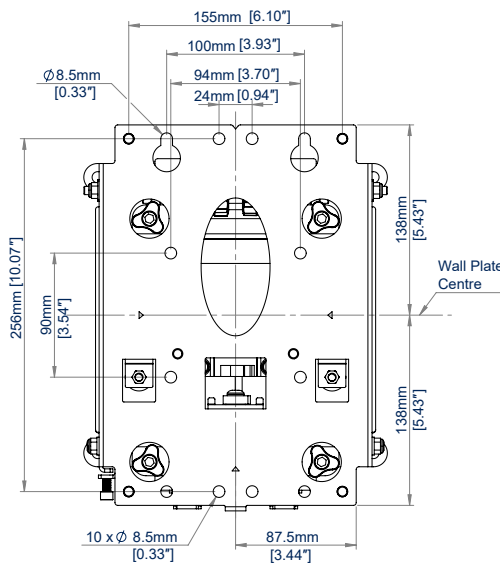
BT8309



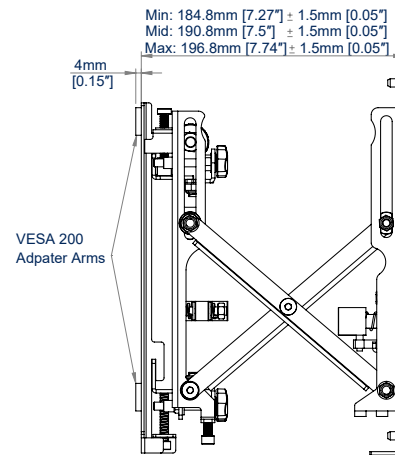
FRONT VIEW
WITH ADAPTER ARMS



SIDE VIEW
CLOSED



REAR VIEW
WITH ADAPTER ARMS



SIDE VIEW
EXTENDED

ORDERING INFORMATION

COLOR	ORDER REF	UPC
Black	BT8309/B V2	811867032017

RELATED PRODUCTS

PRODUCT CODE	NAME	DESCRIPTION
BT7850	Ø2" Poles	Available in a variety of lengths to create multiple pole-mounted solutions
BT7841	Ø2" Accessory Collar	Accessory Collars allow the user to attach BT8309 to BT7850 Ø2" Poles
BT8312	Soft-Open Videowall Mount	Modular pop-out mounting solution for creating multi-screen videowalls
BT8310XL	Heavy-Duty Pop-Out Flat Screen Mount	Pop-out mounting solution for XL screens up to 120"

© 2018 B-Tech AV Mounts, Inc. All rights reserved.
The information in this specification sheet reflects the current technical specifications at the time of printing.
We reserve the right to change the technical or physical specifications without prior notice. The B-Tech name and the B-Tech logo are registered trademarks of B-Tech AV Mounts, Inc. All other trademarks are the property of their respective owners.
B-Tech is not responsible for any damage caused by improper installation or mounting on unstable structures. Any reproduction or use without the express written permission of B-Tech AV Mounts, Inc. is prohibited.
Specification sheet is strictly for informational purposes and does not constitute an offer or a contract.

SS-V5-BT8309-060124-NA