



B-TECH AV MOUNTS

B-TECH AV MOUNTS

WITH SOFT OPENING

BT8312

SLIMLINE SOFT-OPEN FULL SERVICE VIDEOWALL MOUNT

Designed to make video wall installations as quick and simple as possible, this modular video wall mount can be used to create unlimited video wall configurations in both landscape and portrait format. The BT8312 low profile design is ideal for mounting into walls with a shallow recess or when space in front of the wall is minimal. 8 points of micro-adjustment makes accurate screen alignment quick and easy and the soft opening features a patent pending controlled release enabling access to the rear of the mounted screen for servicing and maintenance.

SPECIFICATION

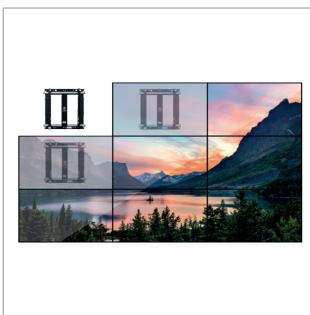
| | |
|--|--|
| Recommended screen size | 42" - 75" (46" - 75" in portrait) |
| Max load | 50kg |
| VESA® compatibility as standard | 200 x 100 up to 400 x 400 |
| VESA® compatibility with included adaptors | up to 600 x 400* |
| Flat to wall depth | 69.5mm*(+/-7.5mm with micro-adjustment) |
| Popped out depth | 222.5mm*(+/-7.5mm with micro-adjustment) |
| Tool-less micro-adjustment | +/-7.5mm per corner |
| Screen height adjustment | +15mm |

*Please note using the included Interface Adaptor Arms to mount VESA 600 x 400 screens will increase the total depth of the product by 6mm, for a total depth of: 75.5mm or 228.5mm whilst popped out.

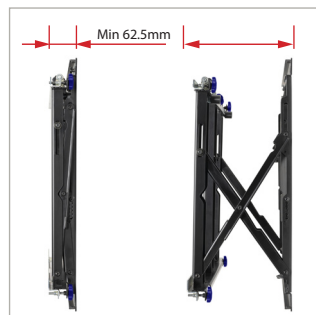


FEATURES

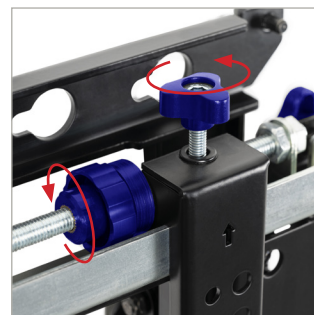
- Slim design ideal for low profile installs on walls or mounting in recesses
- Modular mount allows video wall assembly in an unlimited number of configurations
- Suitable for landscape or portrait screen mounting
- Patent pending pop-out system with soft opening provides a safe and easy service access
- Tool-less micro-adjustment of +/-7.5mm at each corner for seamless display alignment
- Keyhole mounting for quick and easy installation
- Suitable for both wall or pole mounting
- Screen specific wall plate spacers kits are available (separately) to speed up installation times
- Integrated locking mechanism prevents accidental pop-out of mount
- Safety screws help prevent unauthorised removal of screens
- Adaptor arms for VESA 800 x 400 fixings (**BT7565**) available separately



Modular mount allows video wall assembly in an unlimited number of configurations



Slimline design with soft opening provides quick and easy service access

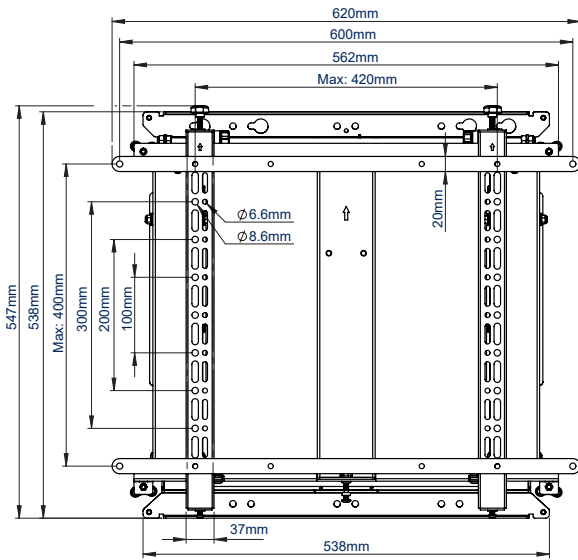


8 points of micro-adjustment for depth, height and lateral screen adjustment

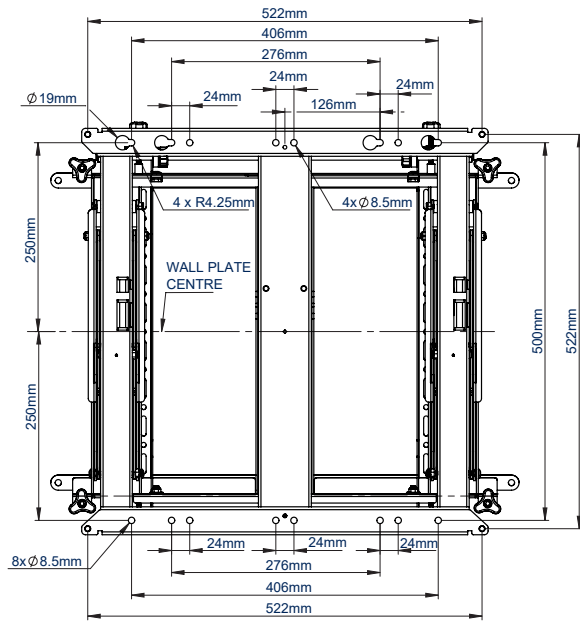


Tool-less micro-adjustment of +/-7.5mm at each corner for seamless display alignment

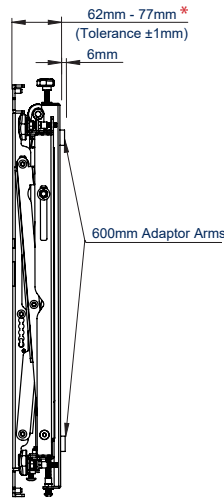




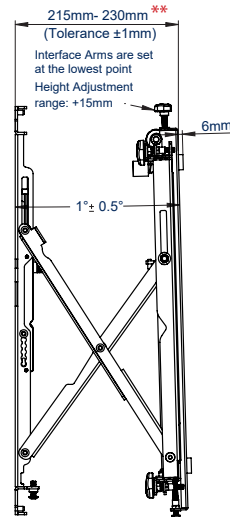
FRONT VIEW WITH ADAPTOR ARMS



REAR VIEW



SIDE VIEW CLOSED



SIDE VIEW EXTENDED

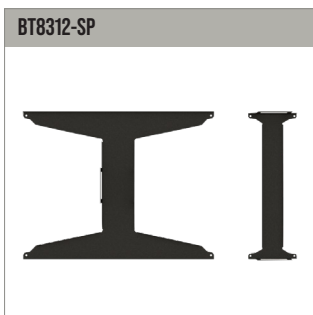
*Total depth increased to **75.5mm** (+/-7.5mm micro-adjustment) when using VESA 600 x 400 adaptors
 Total depth increased to **228.5mm (+/-7.5mm micro-adjustment) when using VESA 600 x 400 adaptors

PACKING INFORMATION

| COLOUR: | ORDER REF: | EAN CODE: | MASTER CARTON QTY: | INNER CARTON QTY: | MASTER CARTON WEIGHT: | MASTER CARTON CUBE: |
|---------|-------------|---------------|--------------------|-------------------|-----------------------|---------------------|
| Black | BT8312/B V2 | 5019318081231 | 1 | 0 | 15kg | 0.044cbm |

ORIGINAL DESIGN BY B-TECH - PATENT PENDING - REGISTERED DESIGN

RELATED PRODUCTS



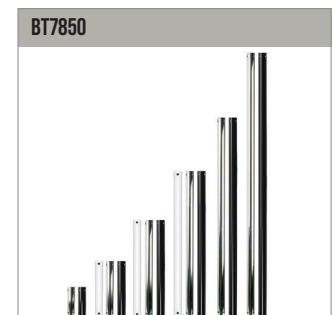
BT8312-SP
 Mounting Template Spacers for BT8312 speed up installation times



BT7822
 Heavy Duty Floor / Ceiling Mount can be used in conjunction with B-Tech poles and collars to create pole mounted solutions



BT7052
 50mm Diameter Poles are available in a choice of 6 lengths and can be used to create multiple pole mounted solutions



BT7850
 50mm Diameter Poles are available in a choice of 6 lengths and can be used to create multiple pole mounted solutions

© 2015 B-Tech International. Design & Manufacture of B-Tech AV Mounts is a registered trademark of B-Tech International. Design & Manufacturing Limited. All rights reserved. The information in this specification is for reference only. The B-Tech logo and B-Tech AV Mounts are registered trademarks of B-Tech International. Design & Manufacturing Limited. We warrant the goods to be free from defects in materials and workmanship for a period of 12 months from the date of purchase. This warranty does not cover damage caused by misuse, accident, fire, flood, or other causes. B-Tech International is not liable for loss or damage caused by misuse, accident, fire, flood, or other causes. Any reproduction or transmission of any part of this specification is expressly prohibited, unless prior written permission has been granted by B-Tech International Design & Manufacturing Limited. E&OE.

SS-V3.1-BT8312-V2-151122