



CREATE  
 FREESTANDING  
 OR MOBILE  
 INSTALLS

# BT8380-BASE

## SYSTEM X™

### FLOOR BASE FOR TROLLEYS AND STANDS

As part of the System X range the BT8380-BASE attaches directly to BT8380 Vertical Support Columns to create a secure foundation for freestanding or mobile screen mounting. The sturdy metal base is supplied with adjustable levelling feet for post-installation levelling, these feet can be removed and replaced with BT8380-CASTORS (4" Locking/Braked Castors) to create mobile mounting solutions. Bases are supplied as individual units, one base must be used per column.

#### SPECIFICATION

Length	950mm
Width	86mm
Height (with levelling feet)	97.5 - 115.5mm
Colour	Black

#### FEATURES

- Creates a secure foundation for System X vertical support columns
- Attaches easily to vertical columns using the Zinc-plated support stems
- Each base is supplied with levelling feet
- Can be used with **BT8380-CASTORS** 4" braked castors (available separately) to create mobile mounting solutions
- For added security, freestanding installs can be secured using **BT8380-FBFK** floor base fixing kit (available separately)
- Supplied as individual units, one base must be used per column
- High-end aesthetic quality
- All mounting hardware included
- TUV certified



SYSTEM X™



Attaches to **BT8380** vertical columns to create a wide variety of System X stands



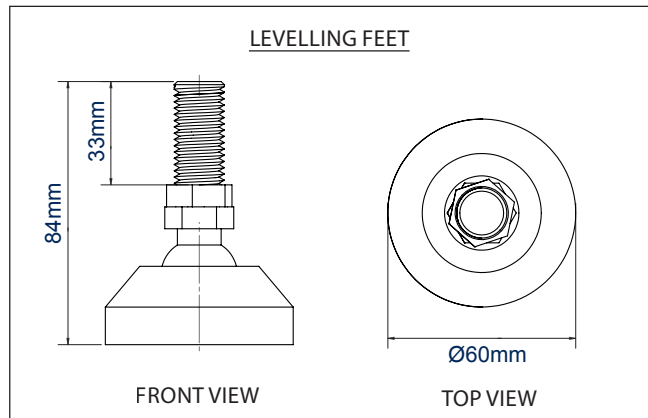
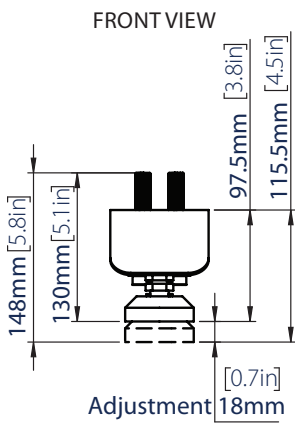
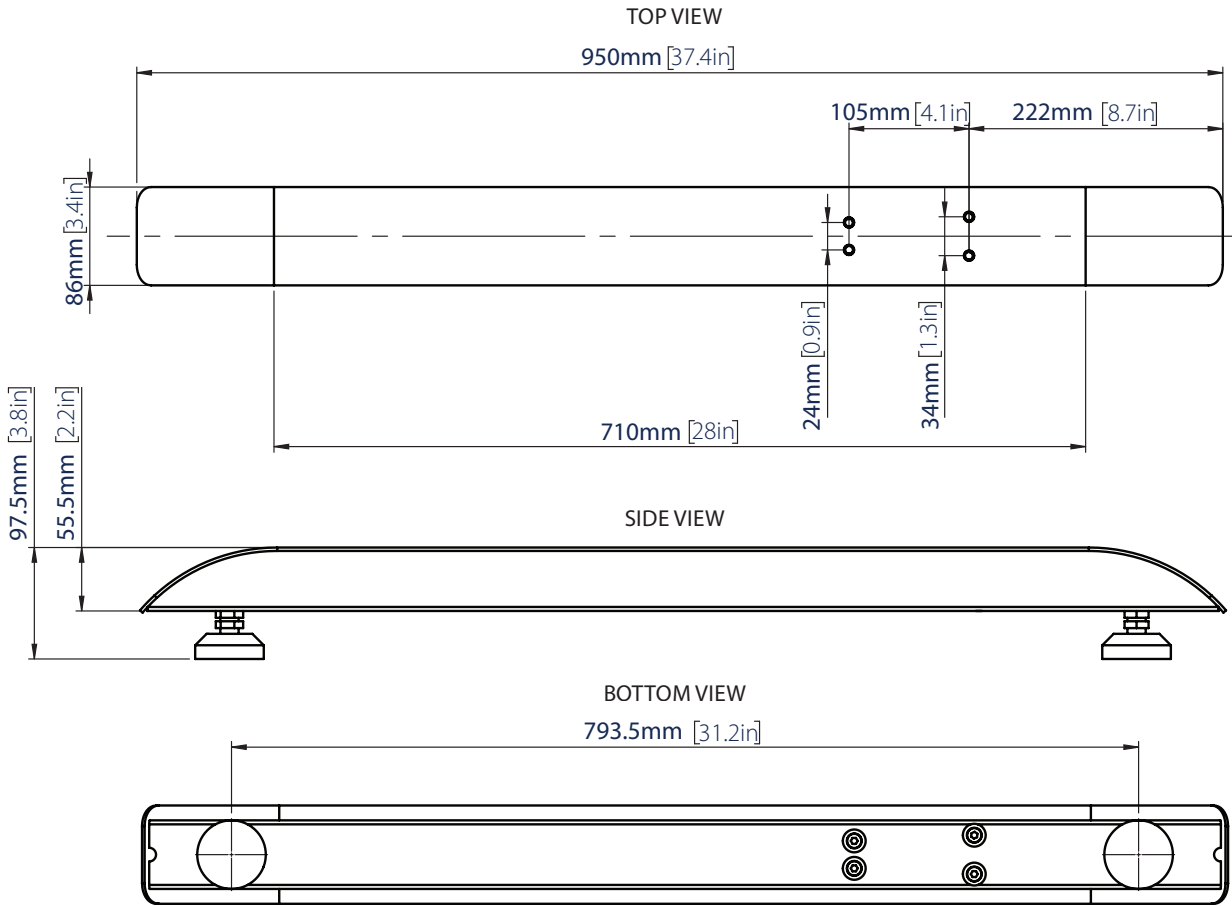
Each base is supplied with 2 levelling feet to allow for post installation levelling



Can be used with **BT8380-CASTORS** 4" locking / braked castors to create mobile mounting solutions



Freestanding installs can be securely bolted to the floor for added security using **BT8380-FBFK** floor base fixing kit



**PACKING INFORMATION**

**ORIGINAL DESIGNS BY B-TECH AV MOUNTS - REGISTERED DESIGNS & PATENTS APPLY**

COLOUR:	ORDER REF:	EAN CODE:	MASTER CARTON QTY:	INNER CARTON QTY:	MASTER CARTON WEIGHT:	MASTER CARTON CUBE:
Black	BT8380-BASE/B	5019318501050	2	0	16kg	0.061cbm

**ACCESSORIES AND RELATED PRODUCTS**



**BT8380-CASTORS**  
4" Non-marking Braked Castors attach easily to BT8380-BASES



**BT8380-060/180**  
BT8380-BASE attaches directly to Vertical Support Columns to create a foundation for freestanding or mobile screen mounting



**BT8380-FFB**  
Fixed Floor Base provides a close-to-the-wall, bolt down solution that can be used as an alternative to BT8380-BASE



**BT8370**  
System X Universal Videowall Stand configurable freestanding mounting solution suitable for screens up to 75"

© 2016 B-Tech Av Mounts. All rights reserved. The information in this specification is for reference only. B-Tech Av Mounts and the B-Tech logo are registered trademarks of B-Tech International Design & Manufacturing Ltd. We reserve the right to change the technical or physical specifications without prior notice. This B-Tech Av Mounts is a registered trademark of B-Tech International Design & Manufacturing Ltd. B-Tech Av Mounts is not liable for loss or damage caused by improper or unauthorized use, installation, or repair. Any reproduction or retransmission or replication of any part of this specification is strictly prohibited, unless prior written permission has been granted by B-Tech International Design & Manufacturing Ltd. (B-Tech).

SS-V3-BT8380-BASE-270923