

BT8380-JPK

SYSTEM X™ JOINING PLATE KIT

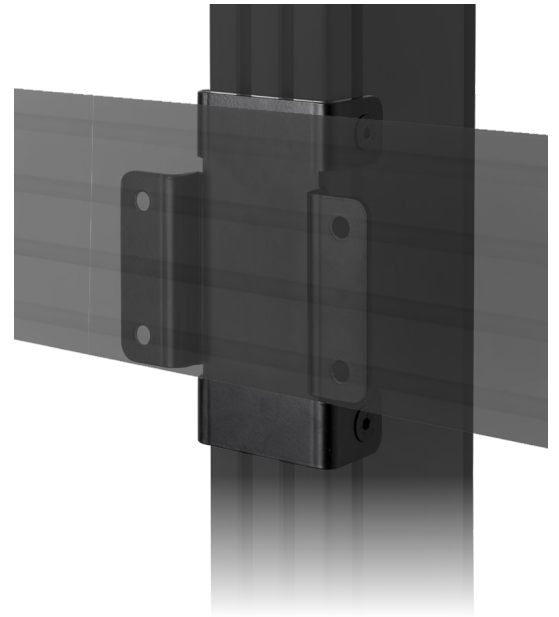
Designed to fit BT8390 mounting rails to BT8380 support columns, the BT8380-JPK is a joining plate which is needed to assemble System X freestanding, mobile or bolt-down video wall solutions. The plate is fitted quickly and easily using the provided sliding nuts and countersunk screws, which allow the mounted rail to be positioned anywhere along the length of the column. A row height spacer (BT8390-SP) is also available (separately) to help position multiple rails when installing video walls, without needing to measure out the position of each BT8380-JPK.

SPECIFICATIONS

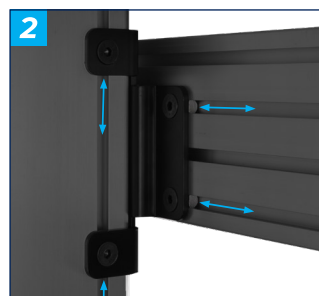
Steel thickness	0.15"
Brackets supplied per pack	1
Color	Black

FEATURES

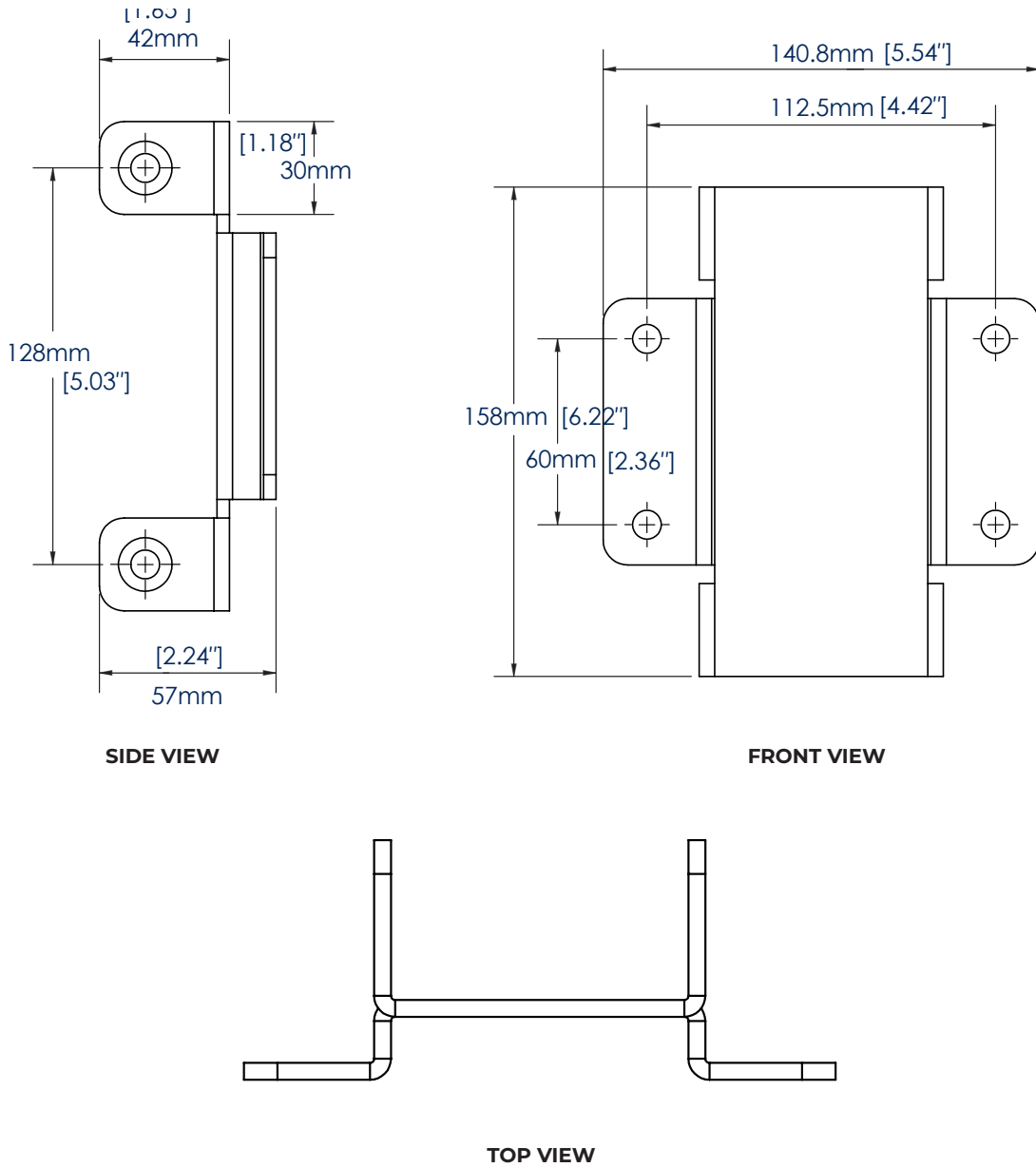
- 1** Used for a variety of fixed, freestanding or mobile video wall installations
- 2** Sliding nuts allow rails and columns to be positioned as required
- 3** Also ideal for single and twin screen System X installations
- 4** Multiple rows can be spaced apart using BT8390-SP Row Spacing Kit
- Connects BT8390 mounting rails to BT8380 vertical columns
- Can be placed at any height on the column, and anywhere along the rail
- TUV certified



SYSTEM X™



BT8380-JPK



SIDE VIEW

FRONT VIEW

TOP VIEW

ORDERING INFORMATION

COLOR	ORDER REF	UPC
Black	BT8380-JPK/B	811867035681

RELATED PRODUCTS

PRODUCT CODE	NAME	DESCRIPTION
BT8380	System X Vertical Column	Provides a platform for freestanding, mobile or bolt-down solutions
BT8390	System X Mounting Rail	Mounting rails in multiple lengths designed to support a variety of interface arms
BT8380-JPT	Tilting Joining Plate	Connects System X BT8390 mounting rails to BT8380 vertical columns
BT8380-EXTV	System X Column Extension Kit	Joins Vertical Columns together to increase overall height

© 2018 B-Tech, AV Mounts Corporation Ltd. All rights reserved.
 The information this specification sheet reflects the current technical specifications at the time of printing.
 We reserve the right to change the technical or physical specifications without prior notice. The B-Tech name and the B-Tech logo are registered trademarks of B-Tech, AV Mounts Corporation Ltd.
 B-Tech is not responsible for any damage or loss of data caused by improper installation or mounting on unstable structures. Any reproduction, use, extension or replacement of any part of this specification sheet is strictly prohibited unless prior written permission is obtained from B-Tech, AV Mounts Corporation Ltd. BTL21

SS-BT8380-JPK-290424-NA