

CONNECTS  
BT8390 RAILS  
TO BT8380  
COLUMNS

# BT8380-JPT

## TILTING JOINING PLATE KIT

BT8380-JPT is a joining plate that connects System X BT8390 mounting rails to BT8380 vertical columns. The adjustable tilt enables rails to be tilted up to 30°, ensuring that the row of screens aligns precisely with the screens below. Joining plates with tilt are ideal for applications such as broadcasting and security control rooms where the top row of screens needs to be tilted and aligned to the screens below. The Plates can be positioned at any height on the column or along the rail to suit the application. Angle and distance guides feature on the plate to assist in a quick and straightforward installation.

### SPECIFICATION

Max load (per bracket)	50kg (110lbs)
Max load (when used as a pair)	100kg (220lbs)
Tilt	+30°
Brackets supplied (per pack)	1

### FEATURES

- Connects **BT8390** mounting rails to **BT8380** vertical columns
- Ideal for use in CCTV or broadcast control rooms where a top row of screens on a stand need to be tilted and aligned
- Can be positioned at any height on the column, and anywhere along the rail to suit the application
- Can be used for on a variety of different fixed, freestanding or mobile stands



SINGLE



PAIR



SYSTEM X



Use without adaptor for a downward tilt of 0° - 20°



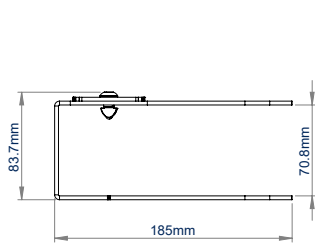
Use the included adaptor for an extended tilt up 30°



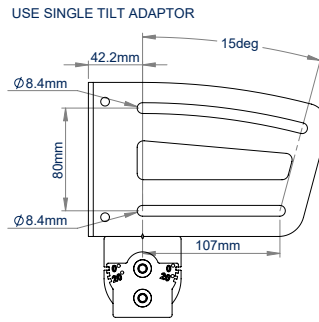
The angle adjustment guide on the joining plate ensures accurate tilt of the rail



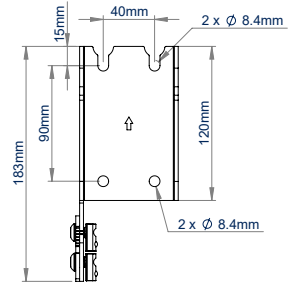
The installer can fit screens further or closer to the column as desired



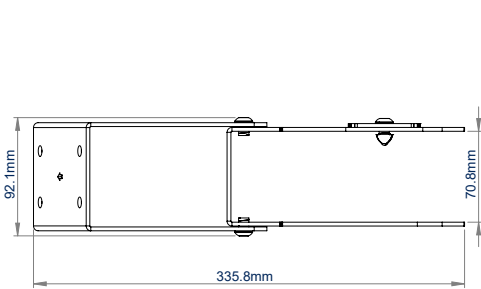
TOP VIEW



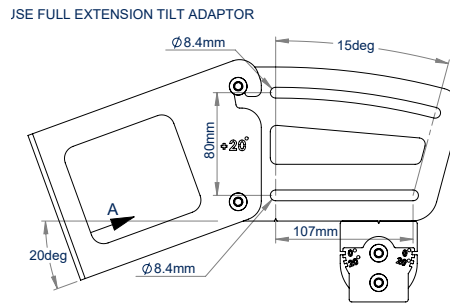
SIDE VIEW



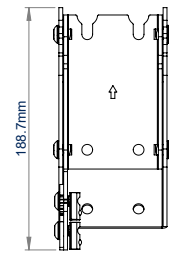
FRONT VIEW



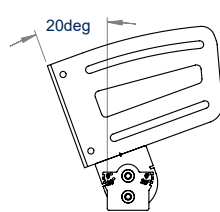
TOP VIEW



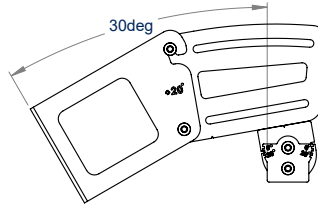
SIDE VIEW



FRONT VIEW



TILT 20 DEGREE



TILT 30 DEGREE

PACKING INFORMATION

COLOUR:	ORDER REF:	EAN CODE:	MASTER CARTON QTY:	MASTER CARTON WEIGHT:	MASTER CARTON CUBE:
Black	BT8380-JPT/B	5019318306822	4	9.50kg	0.056cbm

RELATED PRODUCTS



**Mounting Rails** are available in various lengths and can be wall or column mounted to support a range of screen interface arms



**Vertical Columns** provides a platform for freestanding, mobile or bolt down solutions



**Joining Plate Kit** fixes BT8390 Mounting Rails to BT8380 Vertical columns



**System X™ Universal Interface Arms with Micro Adjustment** for medium - large screens using VESA fixings up to 400

© 2019 B-Tech Av Mounts. All rights reserved. This information is for informational purposes only and does not constitute an offer of any product. B-Tech Av Mounts is not responsible for any damage or loss of data caused by improper use of its products. Any reproduction or distribution of this information without the prior written permission of B-Tech Av Mounts is strictly prohibited.