



**FIXES TO
 B-TECH FLOOR
 BASES**

BT8381

VERTICAL SUPPORT COLUMN

The BT8381 is a 1.8m tall support column that allows the user to create a freestanding solution using B-Tech's range of Floor Bases. The aluminium column is sturdy yet lightweight and can support single or multiple horizontal mounting rails, flat screen mounts and component shelves. The modern design aesthetic and integrated cable management give a smart finish to any install.

SPECIFICATION

Length	1.8m
Fixing kit to mount a horizontal rail	BT8381-JPS
Compatible bases	BT4001 / BT4002
Colour	Black, White or Silver

FEATURES

- Vertical Support Column designed for use with B-Tech's component ranges to create a variety of flat screen floor stands
- Compatible with a variety of floor bases for use in different applications
- Fits a variety of B-Tech mounts to the column using BT6174 Fixing Sets or System X BT8390 rails using a BT8381-JPS Joining Plate*
- Integrated cable management for a tidy finish
- Compatible with a variety of accessories and screen mounts
- Use with BT4001 or BT4002 Floor Bases to create a single or twin column solution

** One BT6174 Sliding Nut Fixing Set is included with each BT8381; ideal for attaching a small screen mount to the column. For larger mounts or accessory shelves an additional Sliding Nut Fixing Set will be required.*

BASE COMPATIBILITY

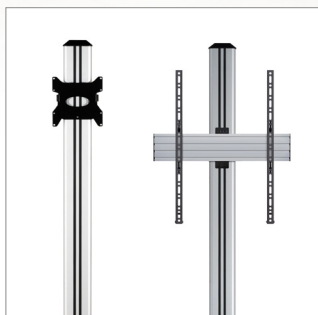
BASE	SINGLE BT8381	TWIN BT8381
BT4001	✓	✗
BT4002	✓	✓



Compatible with a variety of floor bases for use in different applications



Integrated cable management for a tidy finish



Fit a variety of B-Tech mounts using BT6174 Fixing Sets or System X rails using a BT8381-JPS Joining Plate



Mount B-Tech's range of AV accessory shelves directly to the column using BT6174 Fixing Sets



