



B-TECH AV MOUNTS

COMBINE
 MOUNTING RAILS
 TO CREATE LONGER
 INSTALLS

BT8390-EXT

SYSTEM X™

RAIL EXTENSION KIT



The BT8390-EXT is an extension kit designed to extend rails to a desired length, perfect for creating large menu boards, video walls and other digital signage installations. The kit consists of 6 steel joining bars which fit into the channels on either side of the mounting rail. The joining bars are then held firmly together using the internal grub screws. The underside of the joining bars feature spring-loaded bearings which allows the bars to move easily into their fixed position.

SPECIFICATION

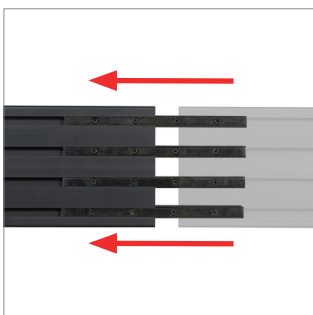
Joining Bars per kit	6
Dimensions (per joining bar)	L:180mm W:12mm D:8mm
Colour	Silver or Black

FEATURES

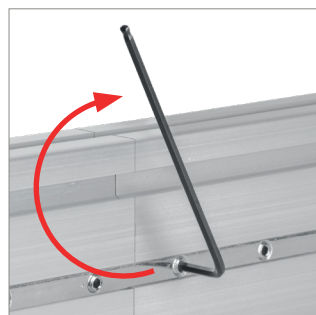
- Combines BT8390 Horizontal Mounting Rails to create longer lengths
- Spring-loaded bearings allow the joining bars to move easily into position
- Rails slide easily into position to create a seamless join
- High-end aesthetic quality
- Securely lock the mounting rails in place using the internal grub screws
- Seamless finish maintains the premium quality of the product
- All mounting hardware included
- 6 joining bars supplied with each kit
- TUV certified



SYSTEM X™



Rails slide easily into position to create a seamless join



Securely lock the mounting rails in place using the locking bar's internal grub screws

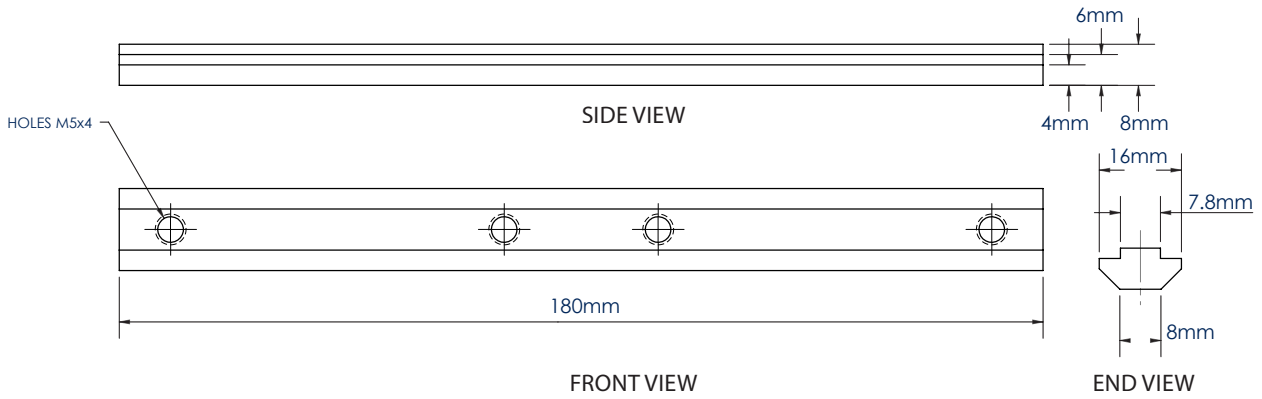


Spring-loaded bearings allow the joining bars to move easily into position

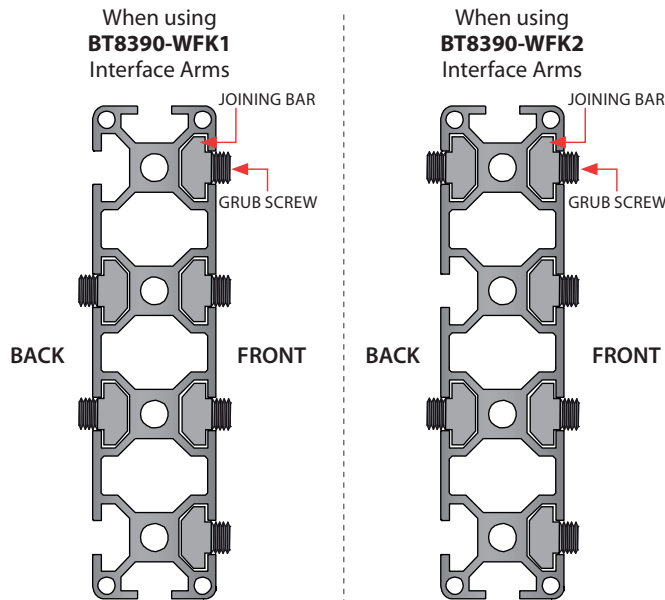


Seamless finish maintains the premium quality of the product





REQUIRED BT8390-EXT ASSEMBLY



PACKING INFORMATION

COLOUR:	ORDER REF:	EAN CODE:	MASTER CARTON QTY:	MASTER CARTON WEIGHT:	MASTER CARTON CUBE:
Silver	BT8390-EXT/S	5019318501296	48	32kg	0.04cbm
Black	BT8390-EXT/B	5019318305917	48	32kg	0.04cbm

ORIGINAL DESIGNS BY B-TECH AV MOUNTS - REGISTERED DESIGNS & PATENTS APPLY

ACCESSORIES AND RELATED PRODUCTS



Mounting Rails can be fixed to columns, walls or poles using System X components



Vertical Columns are used to support horizontal rails creating System X stands



BT8390-WFK1 is a low profile wall mount for horizontal rails



Adjustable Angle Connector allows System X mounting rails to be joined together to create a curved install

© 2015 B-Tech Av Mounts. All rights reserved. This document is the property of B-Tech Av Mounts. The information in this document is subject to change without notice. B-Tech Av Mounts and the B-Tech logo are registered trademarks of B-Tech International Design & Manufacturing Limited. B-Tech Av Mounts is a registered trademark of B-Tech International Design & Manufacturing Limited. All other trademarks are the property of their respective owners. B-Tech Av Mounts is not responsible for any damage caused by improper or unauthorized use of its products. Any reproduction or transmission of any part of this document is strictly prohibited unless prior written permission has been granted by B-Tech International Design & Manufacturing Limited. B-Tech Av Mounts is a registered trademark of B-Tech International Design & Manufacturing Limited.

SS-V2.2-BT8390-EXT-061023