

IDEAL FOR  
MULTI-SCREEN  
INSTALLATIONS

# BT8390-VESA200T SYSTEM X™ UNIVERSAL INTERFACE ARMS WITH TILT FOR SMALL / MEDIUM SCREENS



Ideal for single row, multi-screen installations, these interface arms are designed to mount small to medium sized screens in a tilted position along System X horizontal mounting rails. The universal design is compatible with a variety of different screens and allows them to be mounted in either landscape or portrait orientations. Levelling screws on each interface arm provide post installation height adjustment and thumbwheels allow easy tool-less adjustment of the tilt angle up to 20°.

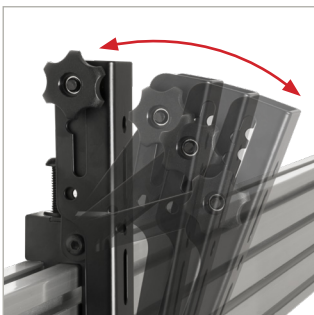
### SPECIFICATION

Recommended screen size	up to 47"
Max load	70kg
VESA® & non-VESA fixings	up to 200mm* (vertical dimension)
Tilt adjustment	up to +20° (in increments of 5°)
Supplied in pairs	

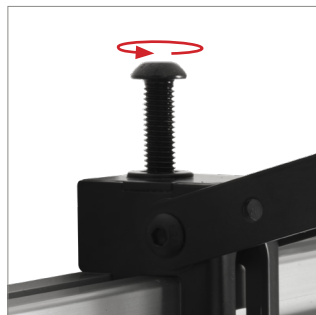
\*The VESA specification of the BT8390-VESA200T refers to the vertical dimension only. All System X interface arms can be positioned as far along the rail as necessary.

### FEATURES

- Ideal for menu boards and other multi-screen installations
- Universal design compatible with most screens
- Suitable for landscape or portrait mounting
- Tool-less thumbwheels for easy adjustment of the tilt angle
- Lateral adjustment - position arms anywhere along the length of the rail
- Includes levelling screws to adjust the screen height
- Safety screws help prevent unauthorised removal of screens
- Simple 'hook-on' installation
- TUV certified



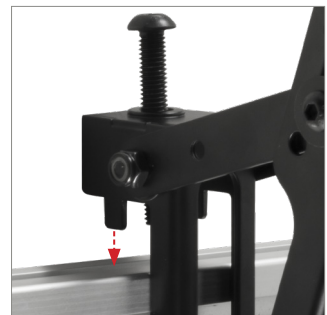
Tilt adjustment of up to +20° for enhanced overhead visibility



Arms feature levelling screws to adjust the screen height



Safety screws help prevent unauthorised removal of screens



Simple 'hook-on' installation

