

BT8390-VESA400F

SYSTEM X™ INTERFACE ARMS FOR MEDIUM / LARGE SCREENS

These interface arms are ideal for single-row, multi-screen installations. Designed to mount small to medium-sized screens in a fixed position along System X horizontal mounting rails. The universal design is compatible with a variety of different screens and allows them to be mounted in either landscape or portrait orientation. Leveling screws on each interface arm allow post-installation height adjustment, and a mounting depth of 1.88" from the wall allows easy access for cables and connectors.

SPECIFICATIONS

Recommended screen size	39" - 75"
Max load	154lbs
VESA® & non-VESA fixing	up to 400* (vertical dimension)
Depth (wall mounted install)	1.88"

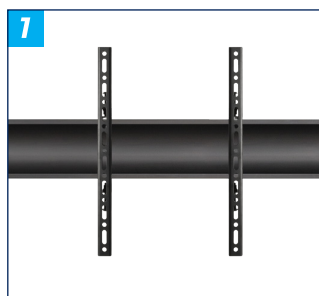
FEATURES

- Ideal for menu boards and other multi-screen installations
- 1 Universal design compatible with most screens
- 2 Includes leveling screws to adjust the screen height
- 3 Safety screws help prevent unauthorized removal of screens
- 4 Simple 'hook-on' installation
- Suitable for landscape or portrait mounting
- Lateral adjustment - position arms anywhere along the length of the rail
- TÜV certified



SYSTEM X™

RECOMMENDED MAX SCREEN 75" 190cm	MAX LOAD 154lbs	MAX VESA 400	POST INSTALL ALIGNMENT 	TÜV CERTIFIED 	
--	------------------------------	---------------------------	-------------------------------	----------------------	--



*The VESA specification of the BT8390-VESA400T refers to the vertical dimension only. All System X interface arms can be positioned as far along the rail as necessary.

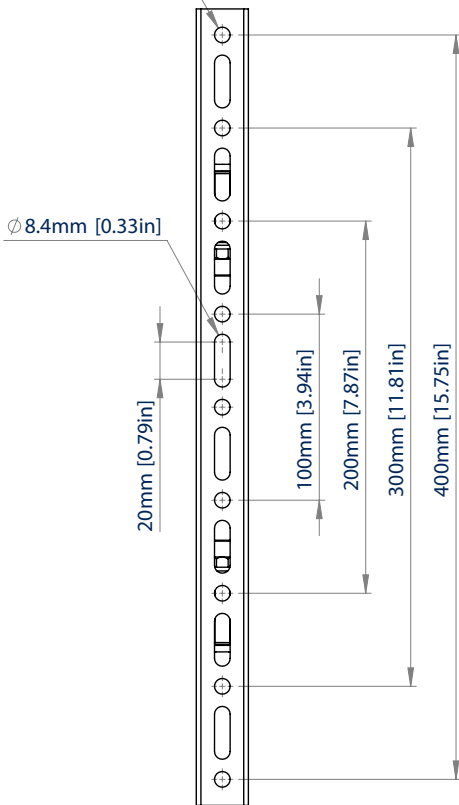
BT8390-VESA400F

28mm [1.1in]

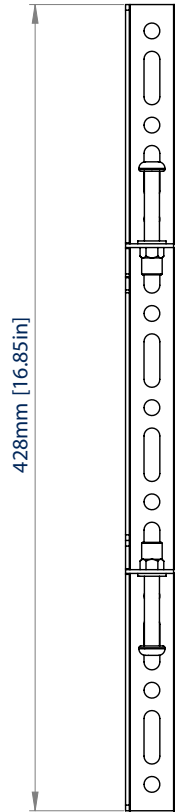


TOP VIEW

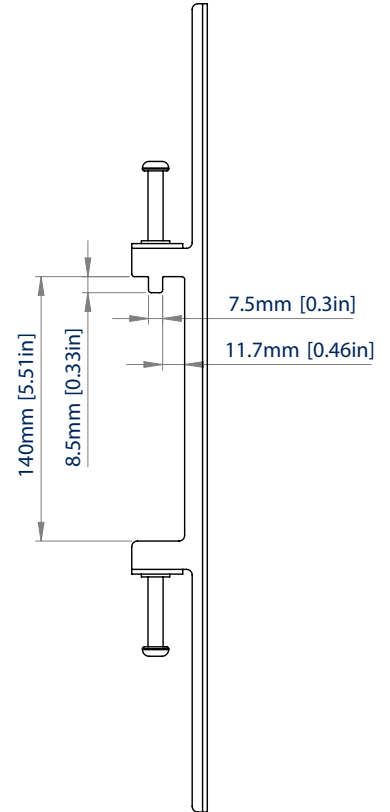
Ø 8.4mm [0.33in]



FRONT VIEW



REAR VIEW



SIDE VIEW

ORDERING INFORMATION

COLOR	ORDER REF	UPC
Black	BT8390-VESA400F/B	811867036060

RELATED PRODUCTS

PRODUCT CODE	NAME	DESCRIPTION
BT7564	VESA 600 X 400 Adapter Arms	Allows VESA 200 and 400 fixings to be increased to VESA 600
BT8390	System X Horizontal Rails	Mounting rails in multiple lengths designed to support a variety of interface arms
BT8390-WFK1	System X Rail Mounting Bracket	Attach BT8390 Mounting Rails to the wall using BT8390-WFK1 Mounting Bracket
BT8390-VESA400T	System X Interface Arms with Tilt	Alternative Interface Arms for solutions that require tilt function

© 2016 B Tech AV Mounts, Inc. All rights reserved.
 The information in this document is subject to change without notice. B Tech AV Mounts, Inc. and the B Tech logo are registered trademarks of B Tech AV Mounts, Inc. All other trademarks are the property of their respective owners. B Tech AV Mounts, Inc. is not responsible for any damage or loss of data caused by improper installation or use of its products. Any reproduction or use of this document without the express written permission of B Tech AV Mounts, Inc. is prohibited.

SS-V3-BT8390-VESA400F-110424-NA