



IDEAL FOR
 MULTI-SCREEN
 INSTALLATIONS

BT8390-VESA400F SYSTEM X™ UNIVERSAL INTERFACE ARMS FOR MEDIUM / LARGE SCREENS

Ideal for single row, multi-screen installations, these interface arms are designed to mount small to medium sized screens in a fixed position along System X horizontal mounting rails. The universal design is compatible with a variety of different screens and allows them to be mounted in either landscape or portrait orientations. Levelling screws on each interface arm provides post installation height adjustment and a mounted depth of 48mm from the wall allows easy access for cables and connectors.

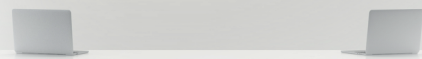
SPECIFICATION

Recommended screen size	39" - 75"
Max load	70kg
VESA® & non-VESA fixings	up to 400mm* (vertical dimension)
Depth (typical wall mounted install)	48mm

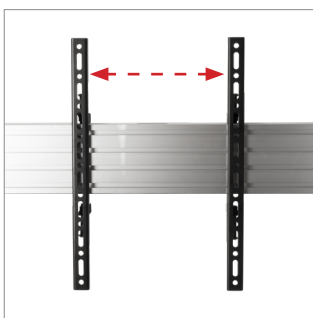
*The VESA specification of the BT8390-VESA400F refers to the vertical dimension only. All System X interface arms can be positioned as far along the rail as necessary.

FEATURES

- Ideal for menu boards and other multi-screen installations
- Universal design compatible with most screens
- Suitable for landscape or portrait mounting
- Lateral adjustment - position arms anywhere along the length of the rail
- Includes levelling screws to adjust the screen height
- Safety screws help prevent unauthorised removal of screens
- Simple 'hook-on' installation
- TUV certified



SYSTEM X™
 TÜV Rheinland
 CERTIFIED



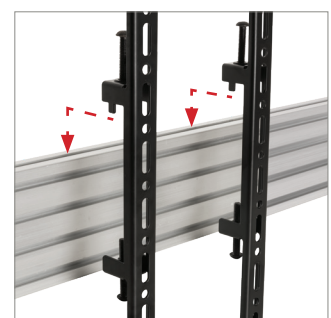
Position arms anywhere along the length of the rail



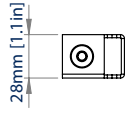
Arms feature levelling screws to adjust the screen height



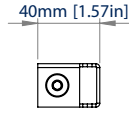
Safety screws help prevent unauthorised removal of screens



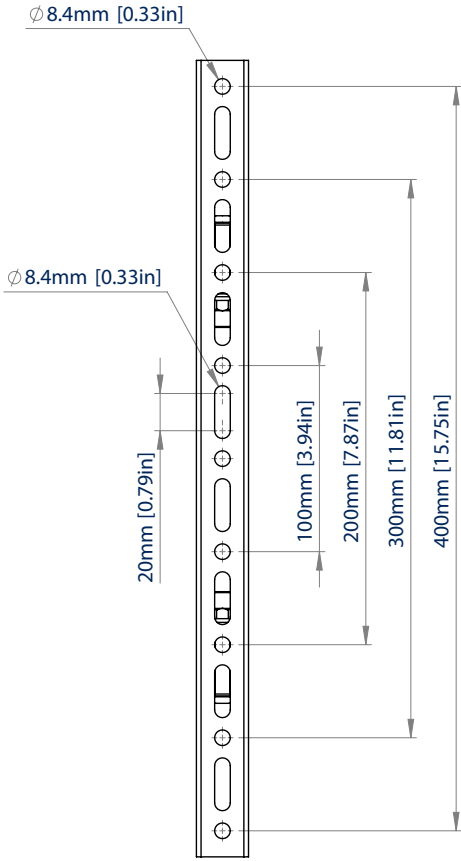
Simple 'hook-on' installation



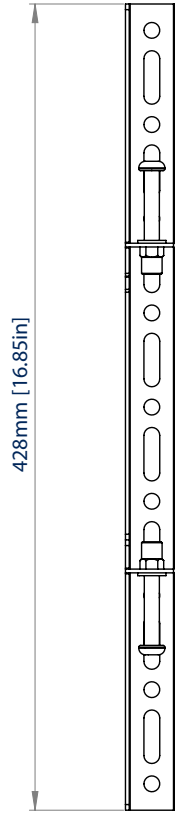
TOP VIEW



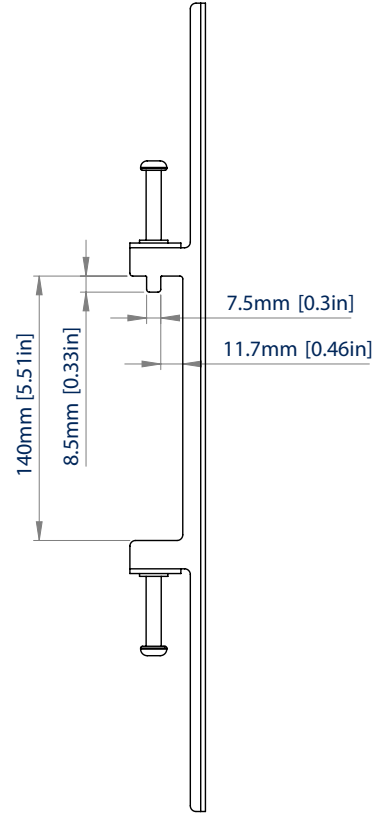
BOTTOM VIEW



FRONT VIEW



REAR VIEW



SIDE VIEW

PACKING INFORMATION

COLOUR:	ORDER REF:	EAN CODE:	MASTER CARTON QTY:	INNER CARTON QTY:	MASTER CARTON WEIGHT:	MASTER CARTON CUBE:
Black	BT8390-VESA400F/B	5019318501210	10	0	12.8kg	0.023cbm

ACCESSORIES AND RELATED PRODUCTS

BT7564



Interface Adaptor Arms for VESA 600 x 400 can be used with VESA 200 or 400 arms to increase the maximum vertical fixings to 600mm for larger screens

BT8390-WFK1



Wall Fixing Kits are used to fix mounting rails securely to the wall

BT8390-050/070/100/150/175/200



Mounting Rails can be fixed to columns, walls or poles using System X components

BT8390-VESA400T



VESA 400 Interface Arms with Tilt mount medium - large sized screens to mounting rails, with a tilt range of up +20°

© 2015 B-Tech Professional Design & Manufacturing Ltd. All rights reserved. The information in this specification sheet reflects the current technical specifications at the time of printing. We reserve the right to change the technical or physical specifications without prior notice. B-Tech Professional Design & Manufacturing Ltd. is not liable for loss or damage caused by improper installation or mounting on unsuitable structures. Any reproduction or retransmission or replication of any part of this specification is expressly prohibited, unless prior written permission has been granted by B-Tech Professional Design & Manufacturing Ltd. (B-Tech).

SS-V2.2-BT8390-VESA400F-04-1023