

BT8421

FLAT SCREEN WALL MOUNT FOR SCREENS UP TO 55"

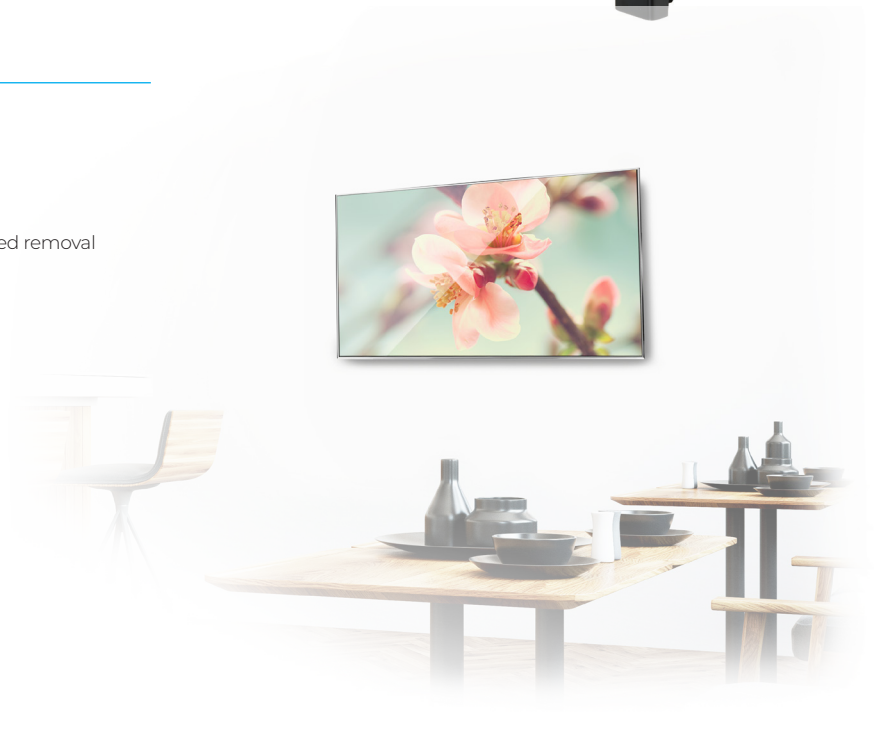
BT8421 has been designed for medium-sized screens up to 55" & offers a slim, space-efficient design that mounts screens just 1.18" from the wall. The mount features B-Techs 'OWLS' post-installation screen alignment, making the installation process remarkably easy. The 'hook-on' installation further streamlines the setup, ensuring a quick & hassle-free experience. In addition to its user-friendly design, the BT8421 prioritises security with a built-in locking bar that effectively deters unauthorized removal of the screen. All the mounting hardware is included, providing a comprehensive solution for your screen-mounting needs.


SPECIFICATIONS

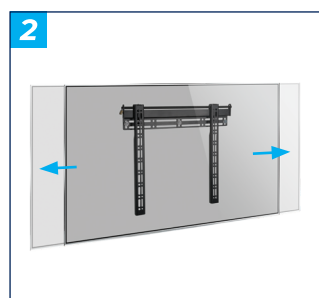
Recommended screen size	up to 55"
Max load	77lbs
Universal fixings	up to 18.30" x 15.74"
VESA® compatibility	up to 400 x 400
Distance from wall	1.18"

FEATURES

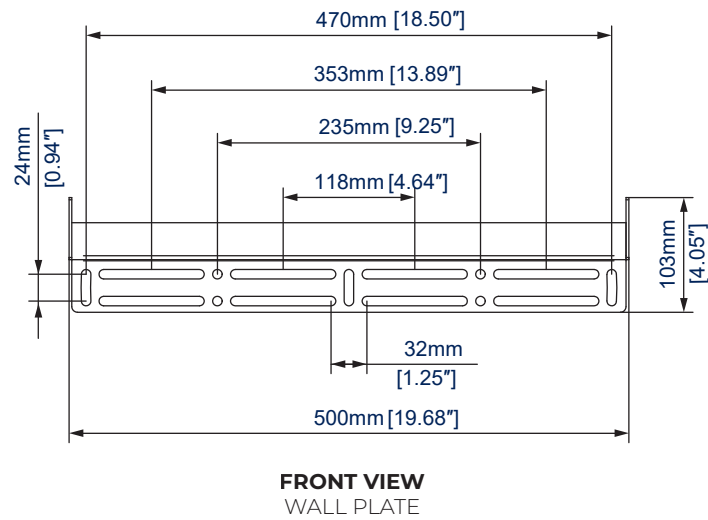
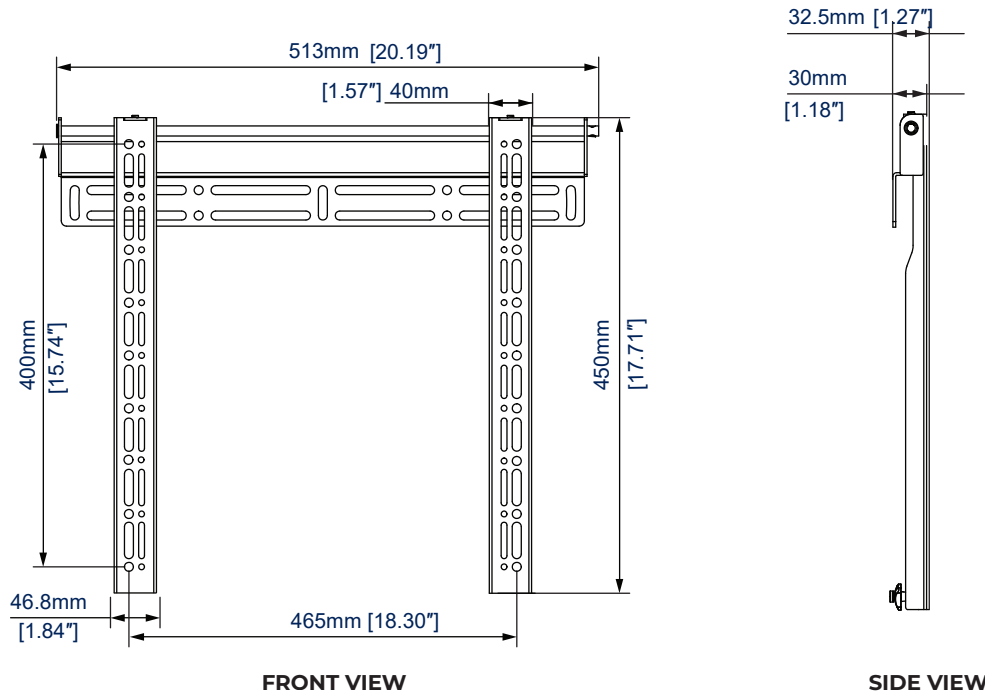
- 1 Low-profile design for a close-to-the-wall installation
 - 2 Lateral adjustment of the screen once mounted
 - 3 Locking bar, security screws, & Allen key prevent unauthorized removal
 - 4 All mounting hardware included
- Simple 'hook-on' installation
 - Features OWLS™ (On Wall Leveling System)
 - Suitable for concrete or brick walls



RECOMMENDED MAX SCREEN	MAX LOAD	MAX VESA	POST INSTALL ALIGNMENT	QR CODE
55" 140cm	77lbs	400	← →	



BT8421



ORDERING INFORMATION

COLOR	ORDER REF	UPC
Black	BT8421/B	811867036213

RELATED PRODUCTS

PRODUCT CODE	NAME	DESCRIPTION
BT8200	Flat Screen Wall Mount	Ultra-Slim mounting solution designed for screens up to 47"
BT8220	Flat Screen Wall Mount	Ultra-Slim mounting solution designed for screens up to 80"
BT8431	Flat Screen Wall Mount with Tilt	Designed for screens up to 55" & features our easy tilt mechanism
BT8422	Flat Screen Wall Mount with Double Arm	Designed for screens up to 55" & features easy tilt, & swivel mechanism

© 2015 B-Tech, Waukegan, IL, USA. All rights reserved.
 The information in this specification sheet reflects the current technical specifications at the time of printing.
 We reserve the right to change the technical or physical specifications without prior notice. The B-Tech name & logo are registered trademarks of B-Tech AV Mounts, Ltd.
 B-Tech is not responsible for loss or damage caused by improper installation or mounting on unsuitable structures. Any reproduction, use, permission or registration of any part of this
 specification sheet is strictly prohibited unless prior written permission is obtained by B-Tech AV Mounts, Ltd. (B-Tech).

SS-V5-BT8421-1Z0424-NA