



**EASY
 TORSION-TILT
 SYSTEM**

BT8431

UNIVERSAL FLAT SCREEN WALL MOUNT WITH TILT

Designed to mount medium to large sized screens, the BT8431 is a flat screen wall mount that features a unique 'Torsion-Tilt' mechanism which allows easy tilt adjustment of the screen up to +/-15°. Also suitable for pole mounting using B-Tech's Accessory Collars, the BT8431 features levelling screws to adjust the screen level post installation as well as locking screws which help prevent unauthorised removal of the screen.

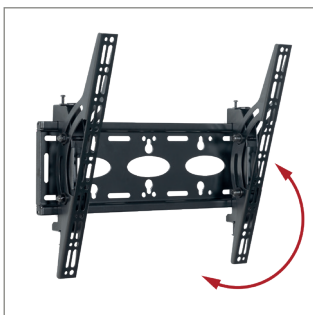


SPECIFICATION

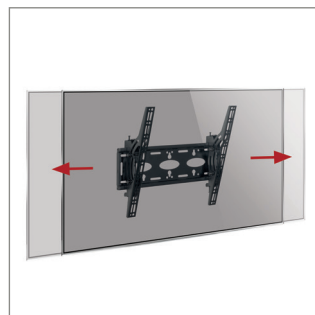
Recommended screen size	39" - 55"
Max load	50kg
VESA® & non-VESA fixings	up to 468 x 400mm
Tilt	+/-15°
Distance from wall (flat)	81mm
Distance from wall (full tilt)	148mm
Colour	Black

FEATURES

- Unique 'Torsion-tilt' mechanism for easy tool-less adjustment
- Lateral adjustment of screen once mounted
- Keyhole mounting for easy installation
- Levelling screws allow adjustment of screen height
- Security locking screws and Allen key to prevent unauthorised screen removal
- Collar compatible ideal for pole mounting
- Simple 'hook-on' installation with all mounting hardware included



Unique 'Torsion-Tilt' mechanism allows for easy tilt adjustment up to +/-15°



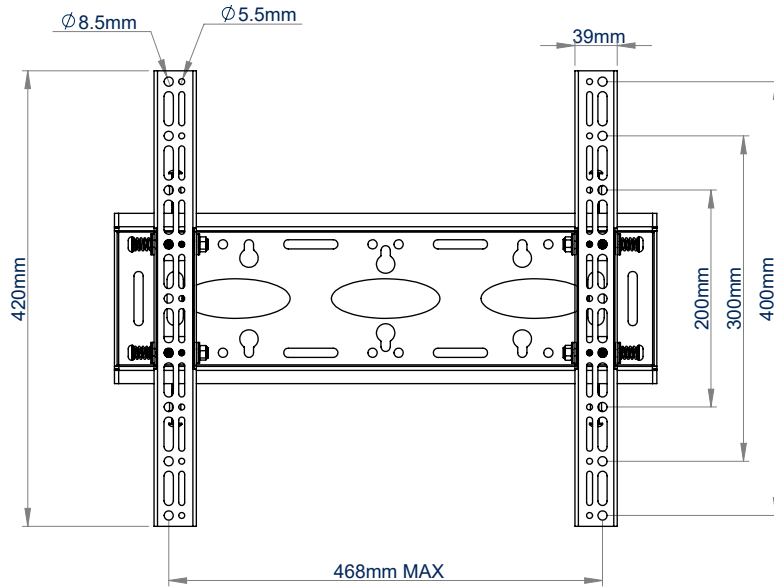
Post installation lateral screen alignment for perfect screen positioning



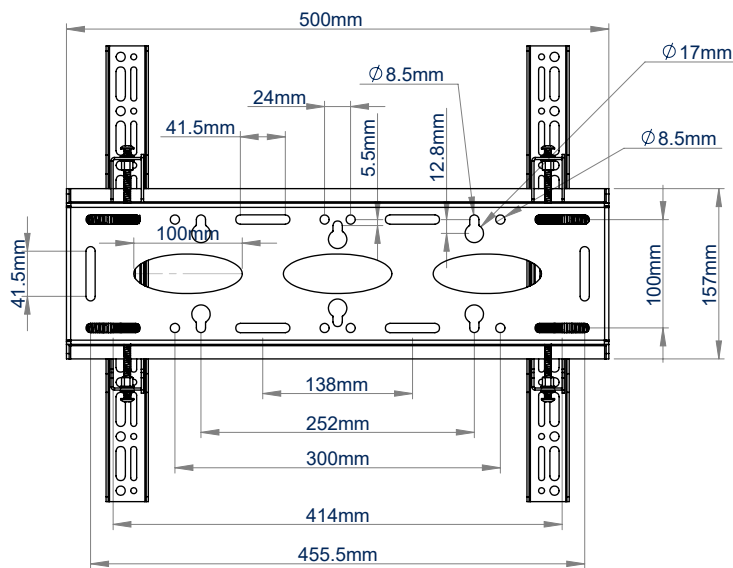
Arms feature levelling screws to adjust the screen height once mounted



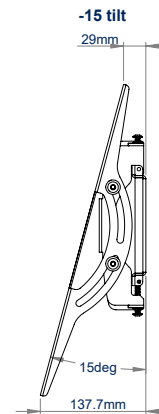
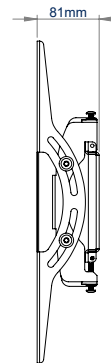
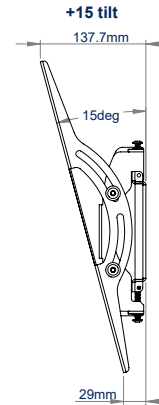
Security locking screws and Allen key provided for a secure installation



FRONT VIEW



WALL PLATE - FRONT VIEW



SIDE VIEWS

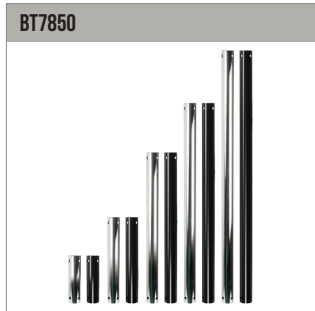
PACKING INFORMATION

COLOUR:	ORDER REF:	EAN CODE:	MASTER CARTON QTY:	INNER CARTON QTY:	MASTER CARTON WEIGHT:	MASTER CARTON CUBE:
Black	BT8431/B	5019318084270	2	0	8.9kg	0.028cbm

ACCESSORIES AND RELATED PRODUCTS



BT7822 Heavy Duty Floor / Ceiling Mount
Can be used in conjunction with B-Tech poles and collars to create pole mounted solutions



BT7850 50mm Diameter Poles are available in a choice of 6 lengths and can be used to create multiple pole mounted solutions



BT7841 Ø50mm Accessory Collars can be fixed to the BT8431 to allow the mount to be attached to a pole



BT8441 Universal Flat Screen Wall Mount for screens up to 55"

© 2015 B-Tech Av Mounts. All rights reserved. The information in this specification sheet reflects the current technical specifications of B-Tech Av Mounts and is subject to change without notice. B-Tech Av Mounts is not responsible for any damage caused by improper installation or use. B-Tech Av Mounts is not responsible for any damage caused by improper installation or use. B-Tech Av Mounts is not responsible for any damage caused by improper installation or use. B-Tech Av Mounts is not responsible for any damage caused by improper installation or use.

SS-BT8431-V4-140122