

BT8432

FLAT SCREEN WALL MOUNT WITH TILT FOR SCREENS UP TO 80"

Designed to mount large to extra-large screens, the BT8432 is a flat screen wall mount with a unique 'Torsion-Tilt' mechanism, allowing easy screen tilt adjustment up to +/-15°. Also suitable for pole mounting using B-Tech's Accessory Collars, the BT8432 features leveling screws to adjust the screen level post installation as well as locking screws which help prevent unauthorized removal of the screen.



SPECIFICATIONS

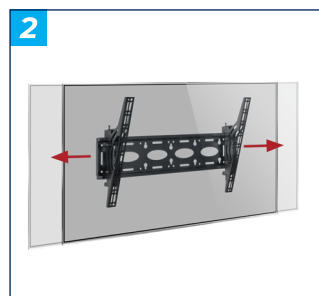
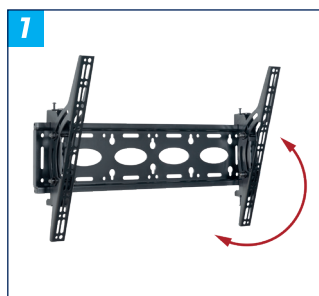
Recommended screen size	up to 80"
Max load	154lbs*
VESA® & non-VESA fixings	up to 677 x 400
Tilt	+/-15°
Distance from wall (flat)	3.18"
Distance from wall (full tilt)	5.43"

FEATURES

- 1 Unique 'Torsion-tilt' mechanism for easy tool-less adjustment
 - 2 Lateral adjustment of the screen once mounted
 - 3 Leveling screws allow adjustment of screen height
 - 4 Security locking screws and Allen key to prevent unauthorized removal
- Keyhole mounting for easy installation
 - Collar compatible, ideal for pole mounting
 - Simple 'hook-on' installation with all mounting hardware included

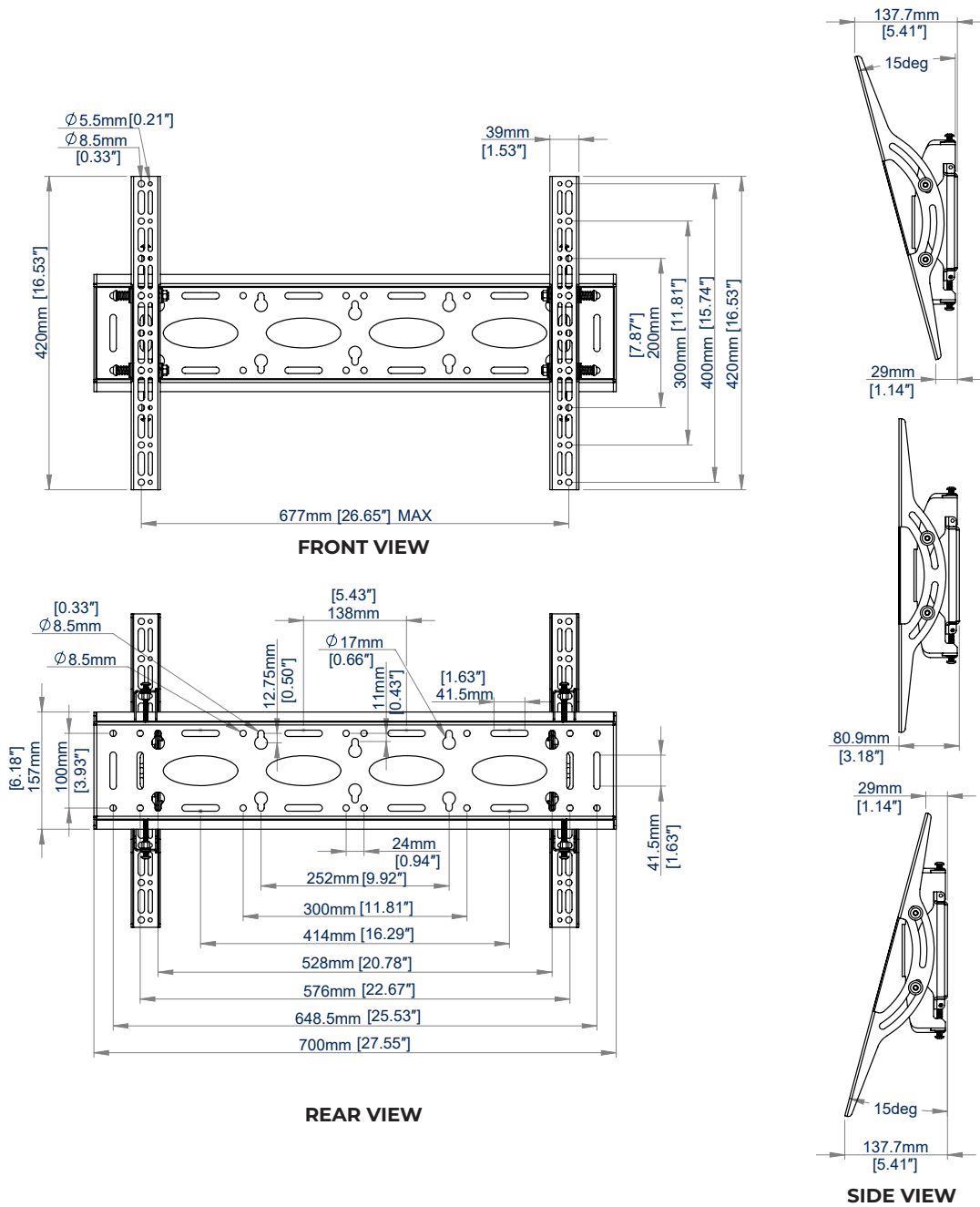


RECOMMENDED MAX SCREEN	MAX LOAD	MAX VESA	TILT	POST INSTALL ALIGNMENT	COLLAR COMPATIBLE	QR CODE
80" 203cm	154lbs	600 x 400	15° 15°	← →	⊙ ⊙	



*Please note the maximum load is reduced to 110lbs when pole mounted

BT8432



ORDERING INFORMATION

COLOR	ORDER REF	UPC
Black	BT8432/B	811867036381

RELATED PRODUCTS

PRODUCT CODE	NAME	DESCRIPTION
BT7822	System 2 Ceiling / Floor Mount	Designed to mount a BT7850 $\varnothing 2"$ pole from the ceiling or floor
BT7850	System 2 $\varnothing 2"$ Poles	Available in a variety of lengths to create multiple pole-mounted solutions
BT7841	System 2 Accessory Collar	Accessory Collars allow the user to attach a variety of mounts to $\varnothing 2"$ Poles
BT8442	Flat Screen Wall Mount	Alternative mounting solution for screens up to 80" when tilt function is not required

© 2018 B-Tech AV Mounts Co., Ltd. All rights reserved.
 The information in this specification sheet reflects the current technical specifications at the time of printing.
 We reserve the right to change the technical or physical specifications without prior notice. The B-Tech name and the B-Tech logo are registered trademarks of B-Tech AV Mounts Co., Ltd.
 B-Tech AV Mounts Co., Ltd. is not responsible for any damage or loss of data caused by improper installation or mounting on unstable structures. Any reproduction or reuse of information or specification of any part of this specification sheet is strictly prohibited unless prior written permission is obtained from B-Tech AV Mounts Co., Ltd.

SS-BT8432-080424-NA