

BT8504

FLAT SCREEN DISPLAY CART / STAND FOR SCREENS UP TO 75"

The BT8504 is designed for large screens mounted in landscape or portrait style and is ideal for all professional applications. The simple hook-on installation makes fitting a display to the cart quick and easy. The BT8504 mounts screens with fixing patterns up to 455 x 400 as standard and also includes adapter arms for larger screens with VESA fixings up to 600 x 400. Non-marking braked castors and optional adjustable leveling feet are included as a freestanding solution.

SPECIFICATIONS

Recommended screen size	up to 75"
Max load	154lbs
VESA® fixings	up to 600 x 400 (with included adapters)
Universal fixings up to	up to 455 x 400
Dimensions (with castors)	W: 43.22" H: 72.99" D: 29.13"

FEATURES

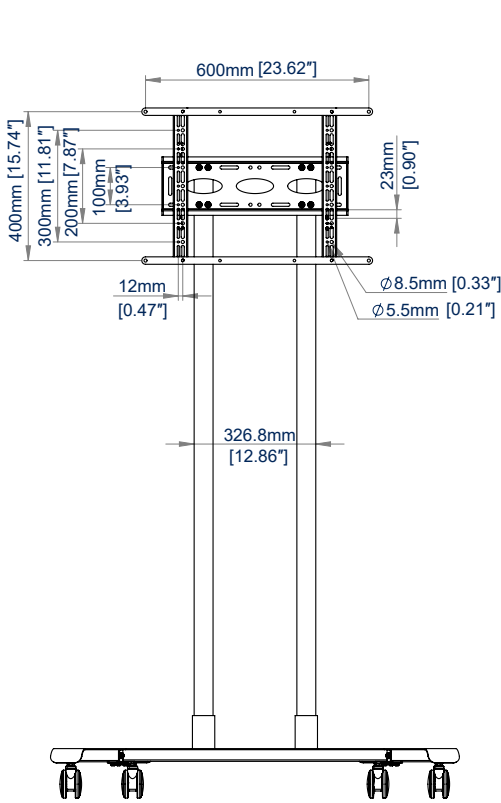
- 1 Mount screens in a landscape or portrait orientation
 - 2 Accessories can be fitted to the poles using Ø2" accessory collars
 - 3 Includes non-marking 3" locking/braked castors & alternative leveling feet
 - 4 Integrated cable management for a neat and tidy installation
- Can mount screens in a landscape or portrait orientation
 - Simple 'hook-on' installation
 - All mounting hardware included



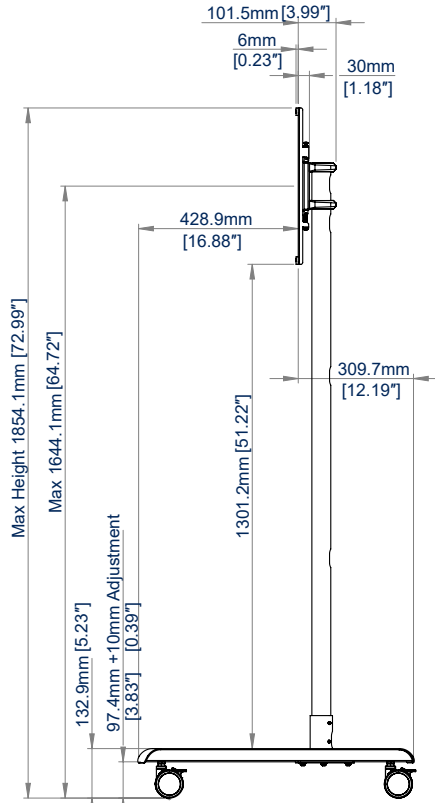
RECOMMENDED MAX SCREEN	MAX LOAD	MAX VESA	POST INSTALL ALIGNMENT	COLLAR COMPATIBLE	QR CODE
75" 190cm	154lbs	600 x 400	← →		



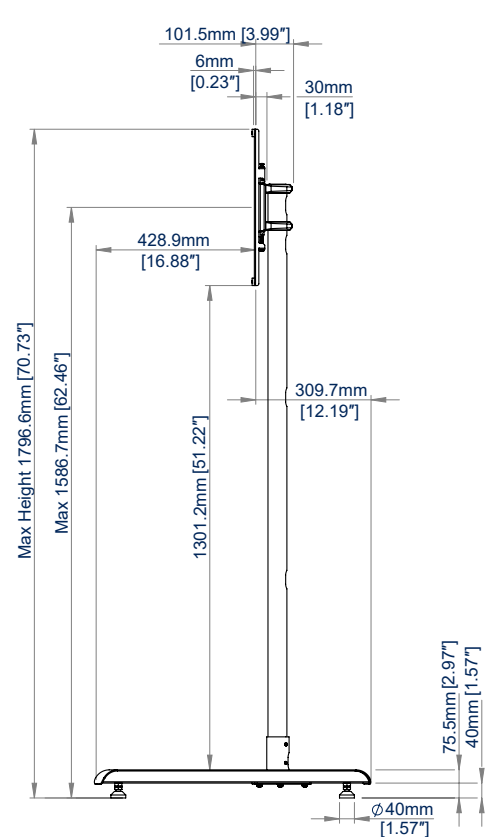
BT8504



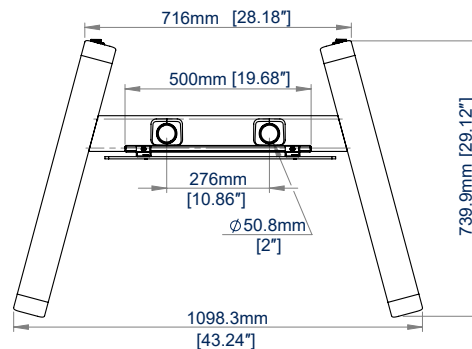
FRONT VIEW
WITH CASTORS



SIDE VIEW
WITH CASTORS



SIDE VIEW
WITH LEVELING FEET



TOP VIEW

ORDERING INFORMATION

COLOR	ORDER REF	UPC
Black	BT8504/B	811867039276

RELATED PRODUCTS

PRODUCT CODE	NAME	DESCRIPTION
BT7841	Ø2" Accessory Collar	Allows a wide range of mounts and accessories to be fitted to the BT8504
BT7031	Adjustable Accessory Mounting Arm	Mount AV accessories above or below the screen of the BT8504
BT8503	Flat Screen Display Cart / Stand	Mobile mounting solution ideal for screens up to 60"
BT8506	XL Flat Screen Display Cart	Mobile mounting solution ideal for screens up to 120"

© 2014 B Tech AV Mounts Co., Ltd. All rights reserved.
The information in this specification sheet reflects the current technical specifications at the time of printing.
We reserve the right to change the technical or physical specifications without prior notice. The B Tech name and the B Tech logo are registered trademarks of B Tech AV Mounts Co., Ltd.
B Tech is not responsible for loss or damage caused by improper installation or mounting on unstable structures. Any reproduction or use without permission or registration of any part of this specification sheet is strictly prohibited unless prior written permission is granted by B Tech AV Mounts Co., Ltd.

SS-V5-BT8504-060124-NA