



**HIGH-END,
PREMIUM
QUALITY**

BTF800

FLAT SCREEN TV STAND WITH SQUARE BASE

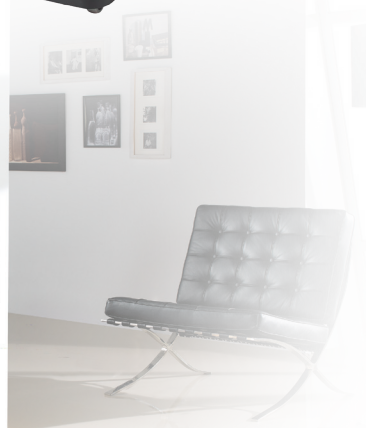
Part of B-Tech's Cantabria range of premium AV furniture, the BTF800 has a modern, stylish aesthetic quality that is ideally suited to high-end residential or commercial applications. Manufactured in Europe, this flat screen TV stand is produced to a very high standard, with a sleek design that features a high gloss finish and a tempered glass shelf. The stainless steel upright includes integrated cable management and rotates up 60° while the square base benefits from concealed castors.

SPECIFICATION

Recommended screen size	up to 60"
Max load	30kg
Max accessory shelf load	10kg
VESA® & non-VESA fixings	up to 600 x 400 mm
Swivel	60°
Dimensions	W: 500mm H: 975mm D: 500mm
Shelf dimensions	W: 450mm D: 365mm
Colour option	Black or White glass

FEATURES

- Easy swivel adjustment 60°
- Stainless steel finish
- Concealed castors and cable management
- Includes accessory shelf



Cantabria

		INTERFACE		SHELF		



Swivel adjustment up to 60°



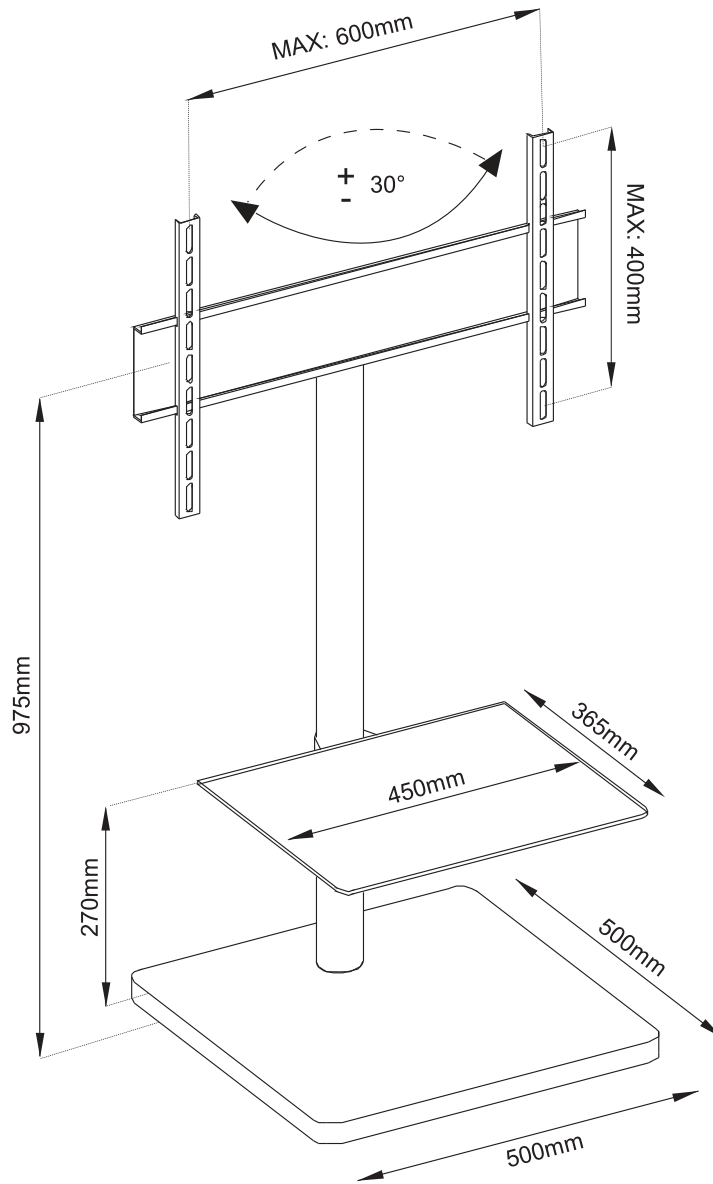
Concealed castors



Tempered glass shelves toughened to BS6206A standard



Stainless steel finish



PACKING INFORMATION

COLOUR:	ORDER REF:	EAN CODE:	MASTER CARTON QTY:	INNER CARTON QTY:	MASTER CARTON WEIGHT:	MASTER CARTON CUBE:
Black	BTF800/BS	5019318651014	1	0	20.32kg	0.091cbm
White	BTF800/W	5019318651168	1	0	20.32kg	0.091cbm

SIMILAR PRODUCTS TO THE BTF800



Flat Screen TV Cabinet with Glass Top - 1637mm

Flat Screen TV Cabinet with Glass Top - 1805mm

Flat Screen TV Stand with Round Base

Flat Screen Display Stand with Shelf

© 2015 B-Tech Mounts Pty Ltd. All rights reserved. The information in this document is subject to change without notice. B-Tech Mounts and B-Tech AV Mounts are registered trademarks of B-Tech Mounts Pty Ltd. B-Tech Mounts Pty Ltd. is not responsible for any damage caused by improper or misuse of its products. Any reproduction or transmission or publication of any part of this specification is strictly prohibited unless prior written permission has been granted by B-Tech Mounts Pty Ltd. (BTL)

SS-BTF800-V2-210720