

BTV500

FLAT SCREEN WALL MOUNT FOR SCREENS UP TO 47"

Designed to mount medium-sized screens just 0.78" from the wall. The low-profile design makes it an excellent choice for seamless home installations and features a hassle-free 'hook-on' installation process and post-installation screen alignment, ensuring a swift and straightforward setup. The BTV500 also features a security locking bar to help prevent unauthorized removal of the screen. All fixings and mounting hardware are included.

SPECIFICATIONS

| | |
|-------------------------|----------------------------|
| Recommended screen size | up to 47" |
| Max load | 88lbs |
| Universal fixings | up to 8.85" x 7.87" |
| VESA® compatibility | up to 200 x 200 |
| Distance from wall | 0.78" |

FEATURES

- 1 Low profile design for a close to the wall installation
 - 2 Security locking bar to prevent unauthorized screen removal
 - 3 Full colour retail packaging
 - 4 All hardware included
- Simple 'hook-on' installation with all mounting hardware included
 - Lateral adjustment of screen once mounted

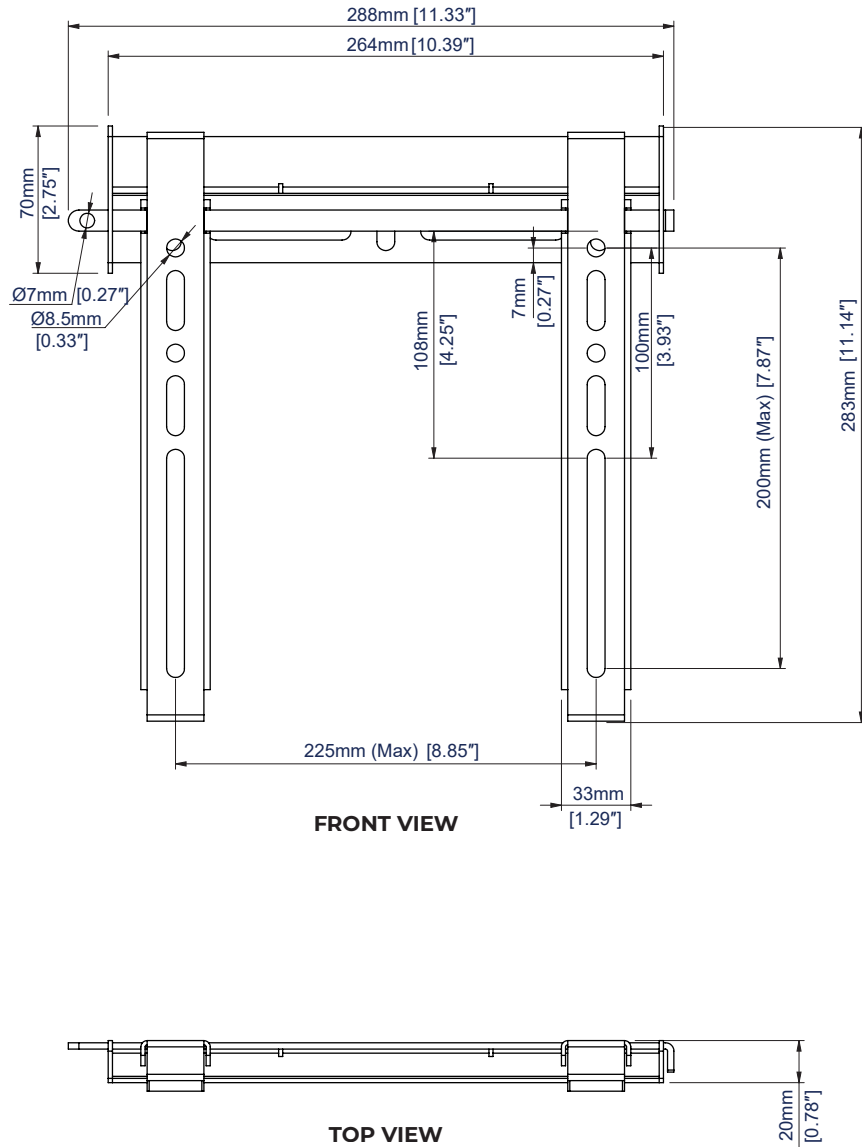


Ventry
range

| RECOMMENDED MAX SCREEN | MAX LOAD | MAX VESA | POST INSTALL ALIGNMENT | QR CODE |
|------------------------|----------|----------|------------------------|---------|
| 47" 120cm | 88lbs | 200 | ← → | |



BTV500



ORDERING INFORMATION

| COLOR | ORDER REF | UPC |
|-------|-----------|--------------|
| Black | BTV500/B | 811867037944 |

RELATED PRODUCTS

| PRODUCT CODE | NAME | DESCRIPTION |
|--------------|-----------------------------------|--|
| BTV520 | Flat Screen Wall Mount | Ideal for larger screens up to 65" |
| BTV511 | Flat Screen Wall Mount with Tilt | Mounting solution with tilt function, for screens up to 47" |
| BTV513 | Double Arm Flat Screen Wall Mount | Mounting solution with tilt & swivel function, for screens up to 47" |
| BTV500 | Ultra-Slim Flat Screen Wall Mount | Ideal for smaller screens up to 28" |

© 2016 B-Tech AV Mounts Co., Ltd. All rights reserved.
The information this specification sheet reflects the current technical specifications at the time of printing.
We reserve the right to change the technical or physical specifications without prior notice. The B-Tech name and the B-Tech logo are registered trademarks of B-Tech AV Mounts Co., Ltd.
B-Tech is not responsible for any loss or damage caused by improper installation or mounting on unstable structures. Any reproduction, use, amendment or replacement of any part of this specification sheet is strictly prohibited unless prior written permission is obtained from B-Tech AV Mounts Co., Ltd.

SS-V3-BTV500-110424-NA