

Heckler

Heckler

The Lectern Reimagined.

Heckler Lectern
with Sit/Stand Components
H900C





*Shown with optional accessories

Heckler



*Shown with optional accessories

Heckler

Heckler Lectern completely reimagines the traditional lectern to provide a significantly improved experience for instructors, AV teams, and learners. With universal accessibility, technology future-proofing, and aesthetics designed into its DNA, everyone in your organization will find something to enjoy.

Features

Sit/Stand motorized desktop height adjusts from 30 inches to 50 inches.

Large desktop gives instructors room for their computers, documents, keyboard, mouse, and more.

Fully accessible, ADA-compliant, and provides an identical experience for standing and seated instructors.

Future-proof console area includes:

Three console insert areas for embedding mic chargers, courtesy cables and outlets, control panels, and more.

Four mounting holes for display arms, document camera, lights, and other AV gear.



H900C Heckler Lectern with Sit/Stand Components

Heckler

Features

Three stacks of 2RU component racking concealed inside the desktop.

Innovative component layout makes integration a breeze by positioning components directly next to displays, control screens, and courtesy outlets.

Easy-lift desktop offers quick and secure access to components and other gear.

Interior floor features grid for easy wire management, gear mounting, and passive airflow.

Full aluminum and steel construction for strength, durability, and recyclability.



H900C Heckler Lectern with Sit/Stand Components

Heckler



Features

Obscured rear surface features four pass-through cable grommets and mounting locations for three 80mm exhaust fans.

Side and rear walls feature mounting locations for modesty panels. Modesty panels are sold separately to enable last-mile installation, and a wide variety of customization.

Heckler

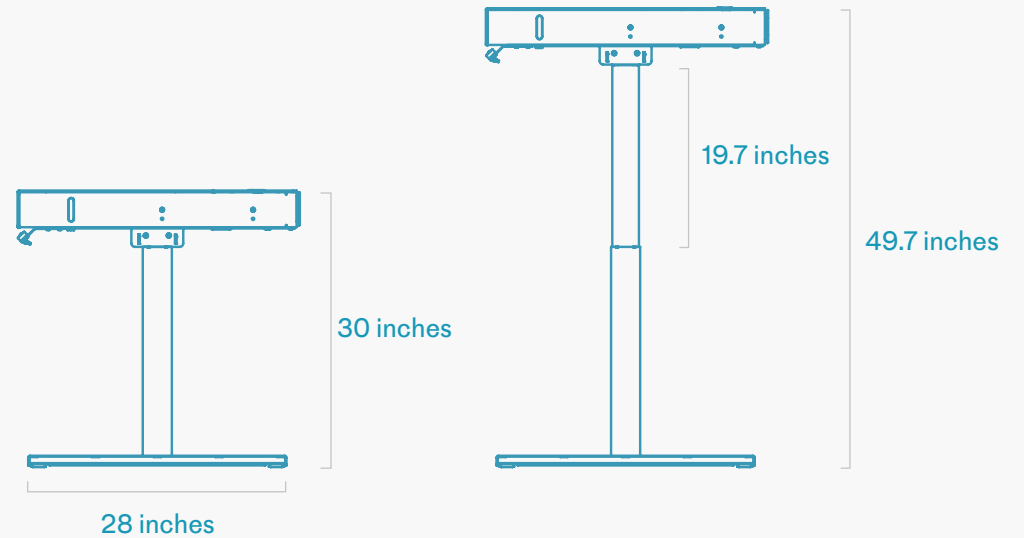
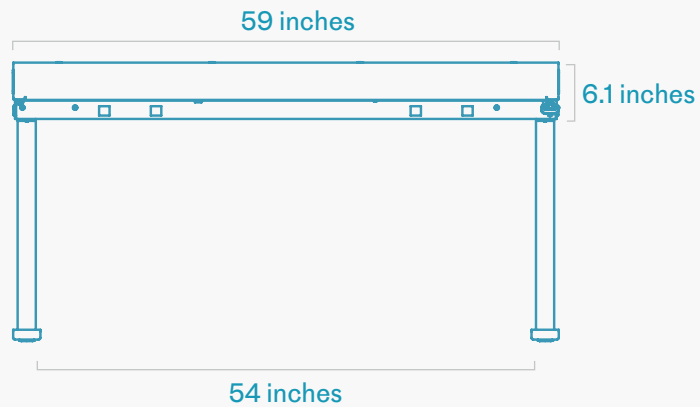
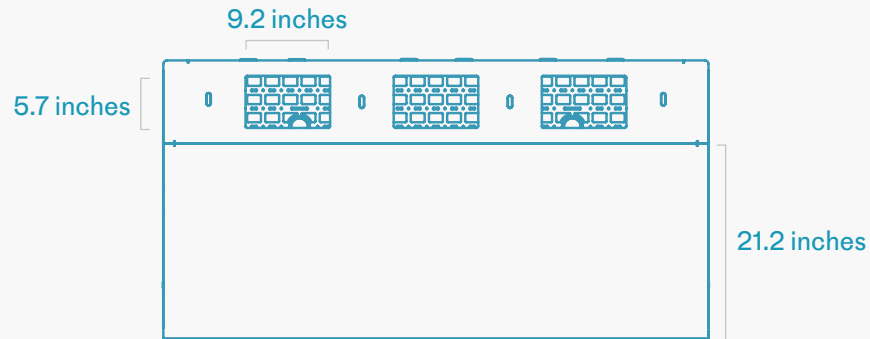
Specifications

SKU	H900C-WT	Country of Origin	US
Color	White. Custom colors available. 16-unit MOQ.	Height Adjustable Range	19.7 inches (30in to 49.7in AFF)
Lectern Dimension	59 x 30.5 x 6.1 inches (1499 x 775 x 155 mm)	Maximum Load Capacity	250 lb.
Product Weight	75 lbs (34 kg)	Material	Powder coated Steel Powder coated Aluminum 3D Printed PLA 3D Printed PETG
Sit/Stand Lifting Columns Dimension	9 x 31 x 5.5 inches (230 x 785 x 140 mm)	In the Box	Lectern Main Body Lectern Sit/Stand Lifting Columns Lectern Sit/Stand Feet Lectern Sit/Stand Control Components
Sit/Stand Lifting Columns Weight	28 lbs (13 kg)		
Sit/Stand Feet & Control Components Dimension	2.5 x 31 x 4.5 inches (64 x 785 x 114 mm)		
Sit/Stand Feet & Control Components Weight	8 lbs (4 kg)		
Shipping Dimension	62 x 33 x 14 inches (1575 x 838 x 356 mm)		
Shipping Weight	120 lbs (55 kg)		
Warranty	Lectern Main Body - 2 years Lectern Sit/Stand Lifting Columns - 5 years Lectern Sit/Stand Control Components - 5 years		

H900C Heckler Lectern with Sit/Stand Components

Heckler

Drawing



For more information, contact
Heckler or your favorite Heckler
Authorized Dealer.

hecklerdesign.com
sales@hecklerdesign.com
(844) 432-5930