

LELO21 Height Adjustable ADA Lectern



LELO21 A clean modern looking ADA Lectern with easy access. Easy 2 button operation, large work surface, Scratch resistant thermo-wrap top surfaces and body construction. It is ideal for environments where adjustable height or ADA is required.

- Silent lift mechanism raises the work surface from 27" to 47"
- 2 button electric actuator with sleep mode to save energy
- large working surface
- wheelchair accessible.
- Dark Grey metal base and choice of thermo-wrap top, see 'Finishes' section.
- 2x 60mm Round grommets included. Hole can accommodate CUB3

Options

- CUB4 Power Panel
- CUB3 Round Cable Well
- CUBM4 Power and Data Panel
- CUBM3 Power and Data Panel CUBM3
- C900S Adjustable Monitor Arm
- FM3 Countdown Timer and Clock
- PB 6 Outlet 110V Power Bar
- PLM1022 LCD Monitor Mount
- LIGHT-18 Adjustable Gooseneck Light
- MIC-18 MX418 S/C Microflex Gooseneck Microphone
- CUSTOM CUTOUT Cutouts for Electronics or Other Items
- GRC60-B/W/G 60mm Round Grommet

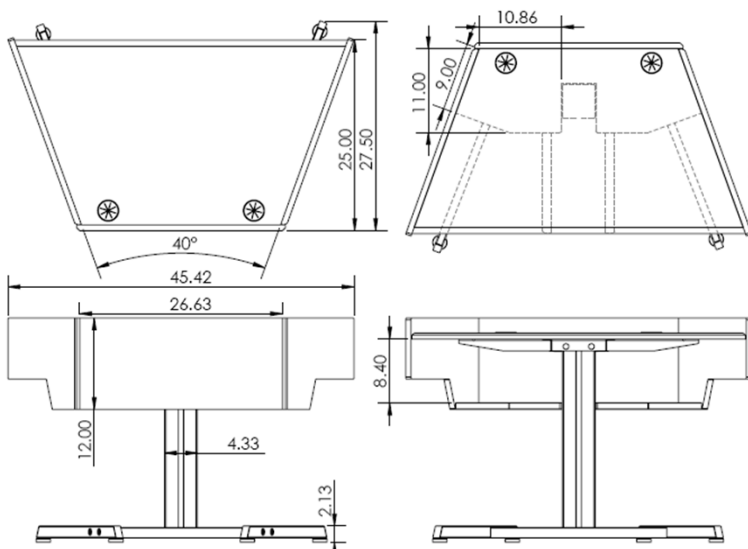
Specifications

Model: LEL021

Width: 45"

Depth: 28"

Height: 27-47"



LELO21

The information contained in this drawing is the sole property of Audio Visual Furniture International. Any reproduction in part or as a whole without the written permission of Audio Visual Furniture International is prohibited.

*Specification subject to change without notice.
*AVFI can build or modify stock configurations to suit customer specifications. Please contact us to discuss how this service can help meet your needs. Some quantity restrictions may apply.
*Computers, cameras, monitors, etc. are shown to illustrate product usage and are not included unless otherwise noted.

Finishes:



Other finishes are available. Check website.

The information contained in this drawing is the sole property of Audio Visual Furniture International. Any reproduction in part or as a whole without the written permission of Audio Visual Furniture International is prohibited. We can build or modify stock configurations to suit customer specifications. Please contact us to discuss how this service can help meet your needs. Some quantity restrictions may apply. Specification subject to change without notice. Computers, cameras, monitors, etc. are shown to illustrate product usage and are not included unless otherwise noted.